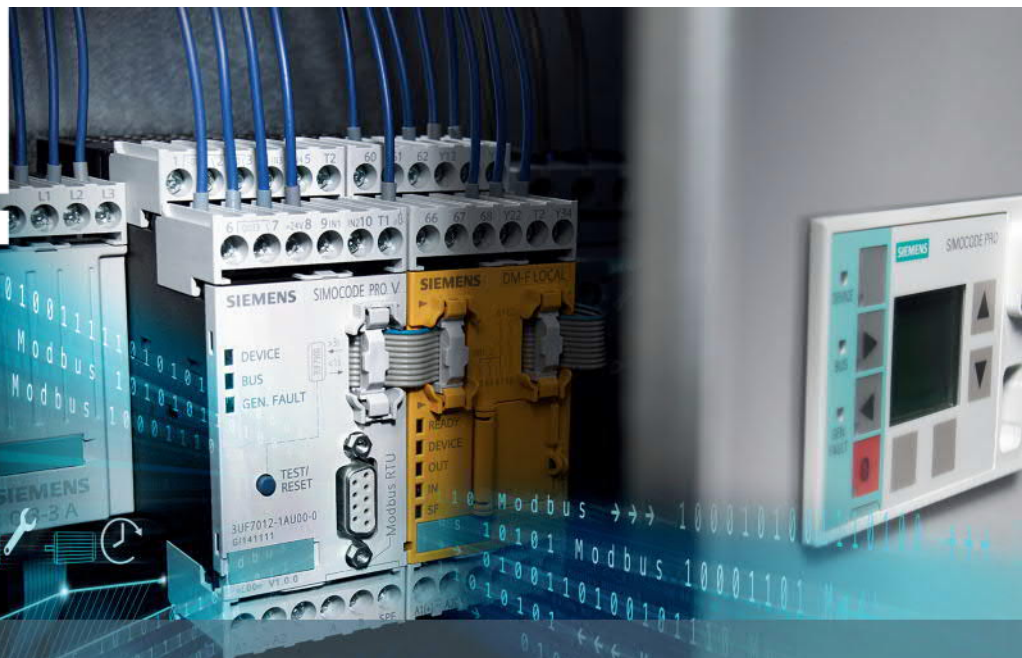


# SIEMENS



## SIMOCODE now communicates with Modbus

Electronic full motor protection – can now be integrated into the process control system using Modbus RTU

### SIMOCODE pro motor management system

Is it important for you to avoid cost-intensive plant downtimes, prevent faults or locate errors in the system before they can cause any damage? Then choose SIMOCODE pro. The motor management system provides you with extensive motor data which you can use to improve the process control quality. And now it is also possible to integrate SIMOCODE pro into the control system using Modbus RTU.

This means it is able to communicate with a wide range of process control systems. Whether you are controlling or monitoring a complex chemical plant, a high-availability oil and gas refinery, or distributed pumps for water/wastewater: SIMOCODE can be used flexibly in every environment.



#### Connection to control systems

- Connection to control systems using the most important communication protocols: PROFIBUS, PROFINET, Modbus, and OPC UA
- Detailed operating, service, and diagnostic data for optimum process control



#### Enhanced monitoring and improved plant availability

- Extensive protection, control, and monitoring of motor and application
- Functions independently of the controller



#### Protection for personnel and machinery

- Safe disconnection using DM-F Local module, directly integrated in the motor management system



#### Simple configuration and fast commissioning

- Easy and intuitive engineering
- Extensive diagnostic options during operation

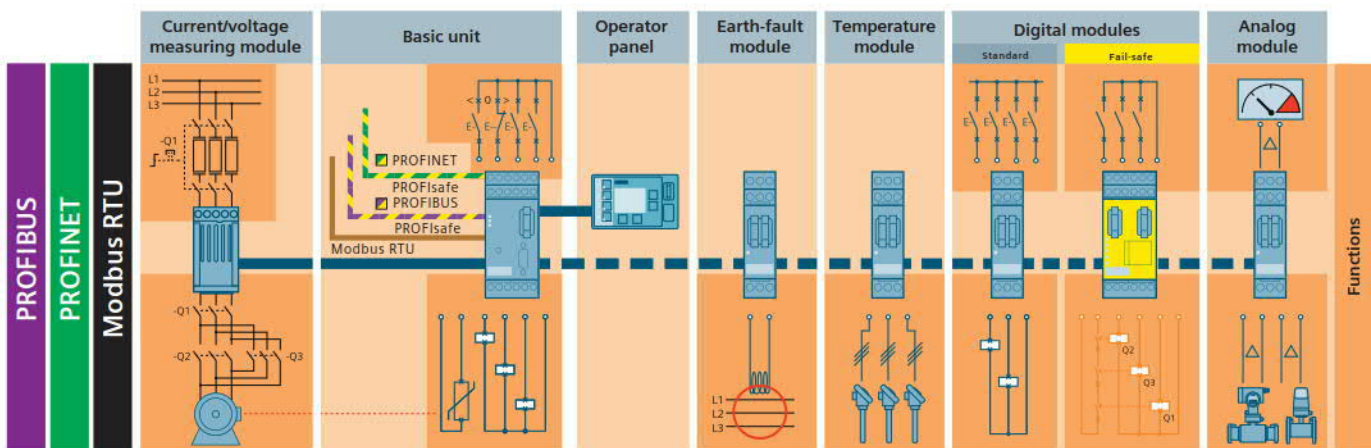


#### Customized motor management

- Scalable, flexible solutions for all system configurations
- Can be exactly adapted to suit individual application requirements

[siemens.com/simocode](https://www.siemens.com/simocode)

# One system – multiple communication protocols: SIMOCODE pro motor management



With SIMOCODE pro you get the full range of features. The motor management system can be connected to all important communication systems – PROFIBUS and PROFINET as well as OPC/UA and Modbus RTU.

## For use in switchgear

SIMOCODE pro is used in motor control centers or in power distribution boards, such as SIVACON. It is easy to install using a number of different techniques. Unit replacement is particularly simple with the initialization module. Whatever the design, you will always benefit from a safe and efficient power supply.

## Comfortable engineering

SIMOCODE ES V13 is the software for the configuration and commissioning, the operation and diagnosis of SIMOCODE pro motor management devices. The new SIMOCODE ES V13 software generation is integrated in the Totally Integrated Automation Portal (TIA Portal) engineering framework. It allows easy and intuitive configuration as well as graphical device parameterization using drag and drop.

## Control system integration with the Modbus RTU

SIMOCODE pro can now also be connected to control systems using Modbus RTU, making all the operating, service, and diagnostic data of SIMOCODE pro available. Fast communication for motor control signals and the most important status feedback can be defined as required using the process image.

## Functions overview

Fixed preprogrammed motor control functions or customized solution: The choice is yours!

- Basic control functions (e.g. overload relay, direct-on-line starter and reversing starter, soft start, wye-delta)
- Extended control functions (e.g. pole-changing starter, positioner)
- Protection functions (e.g. overload, thermistor, phase unbalance,...)
- Monitoring functions (e.g. current limit values, downtimes,...)
- Current measurement
- Ground-fault monitoring
- Temperature monitoring
- Voltage/power measurement
- Analog value monitoring
- Safety-related shutdown
- Expansion I/Os

## Key data of the basic system

- Basic unit: 4 inputs and 3 outputs
- Basic unit with digital modules: max. 12 inputs and 7 outputs

## Ordering data

- 3UF7012-1AB00-0 SIMOCODE pro V, Modbus RTU interface 57.6 kBit/s, RS485, Us: DC 24 V
- 3UF7012-1AU00-0 SIMOCODE pro V, Modbus RTU interface 57.6 kBit/s, RS485, Us: AC/DC 110–240 V
- Detailed ordering data on the expansion components can be found in the IC10 catalog.

Siemens AG  
Digital Factory  
Control Products  
P.O. Box 23 55  
90713 Fürth  
Germany

Subject to change without prior notice 02/15  
Article No.: E20001-A1170-P305-X-7600  
Dispo 27601  
SCHÖ/63121 SB 02153.  
Printed in Germany  
© Siemens AG 2015

The information provided in this brochure contains merely general descriptions or characteristics of performance which in case of actual use do not always apply as described or which may change as a result of further development of the products. An obligation to provide the respective characteristics shall only exist if expressly agreed in the terms of contract.  
All product designations may be trademarks or product names of Siemens AG or supplier companies whose use by third parties for their own purposes could violate the rights of the owners.