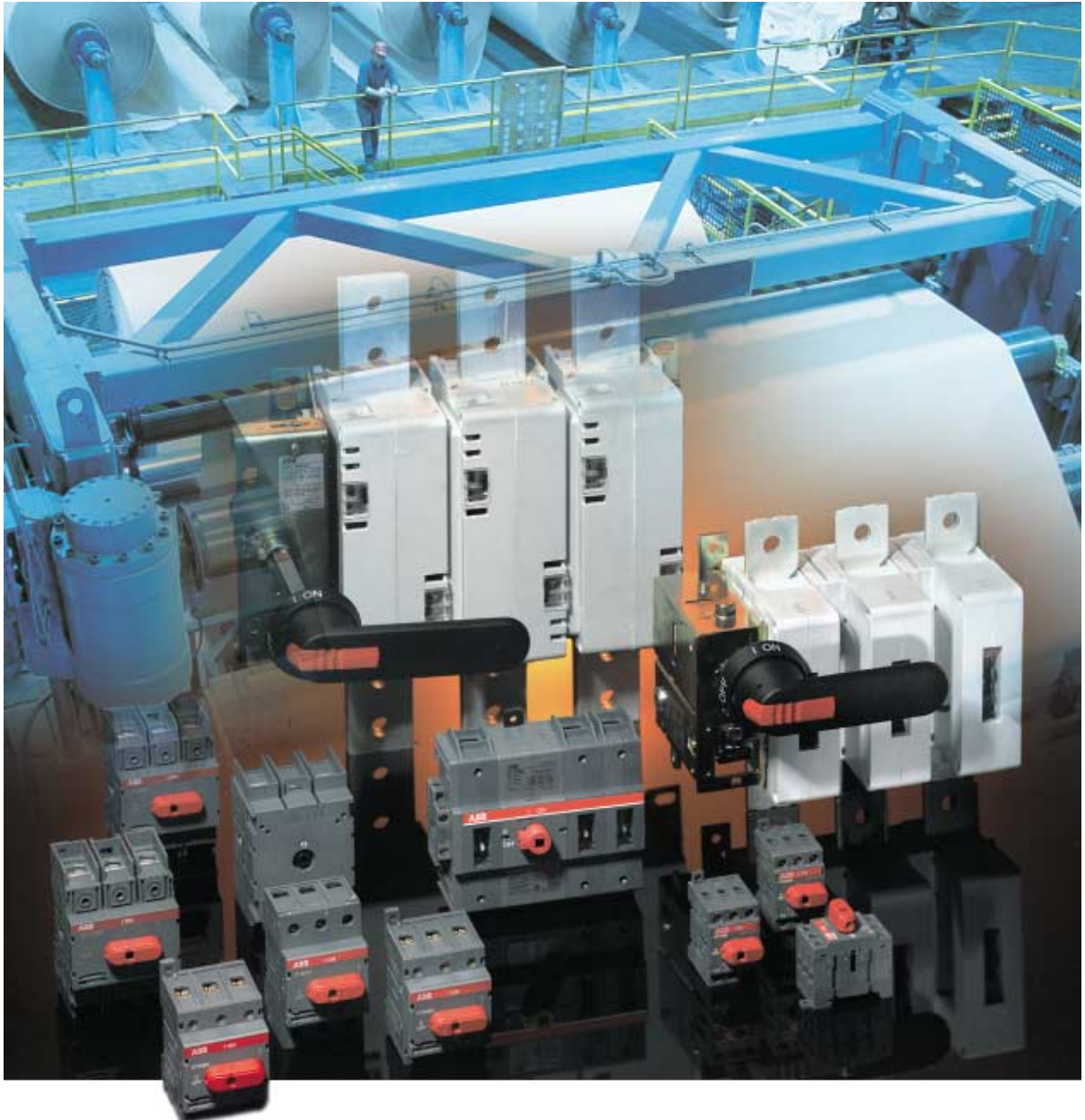


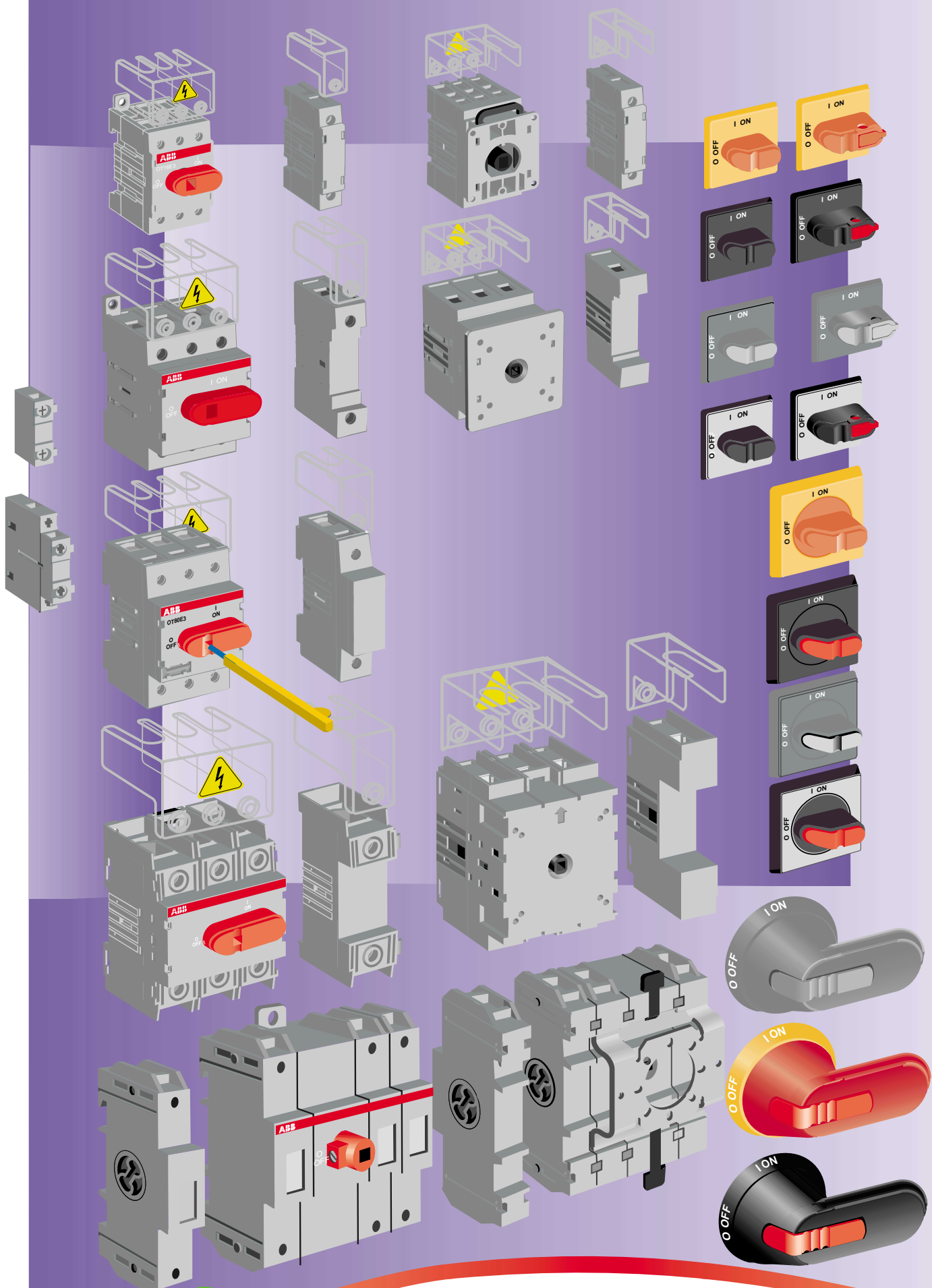
Low Voltage Products

SwitchLine, Load Break Switches / Switch-Disconnectors
16...160 A, 690 V
200...3150 A, 1000 V

Brochure OT_OETL 1 GB 01-05
1SCC301001C0201



ABB



SwitchLine

Switch-Disconnectors

SwitchLine - OT16...160

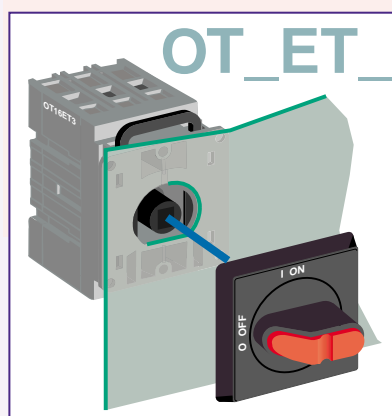
OT switch-disconnectors are suitable for diverse applications from motor control centers to switchboards and main switches to machines.

The OT family 16 A...160 A complies with the latest specifications for modern low voltage installations. One of the excellent features of OT switches is the **patented operator independent quick-make / quick-break mechanism** available in OT 45...160.

OT switch-disconnectors are IP 20 protected.

Easy and quick installation

OT switch-disconnectors can be mounted either on a base plate using the DIN-rail or screws and on the door, both by snap-on and screw-fitting. Switch-disconnectors OT 125 and OT 160 can be mounted on either 35 or 75 mm DIN-rails. They are also mountable between two DIN-rails (distance min. 150 mm) in consumer units.

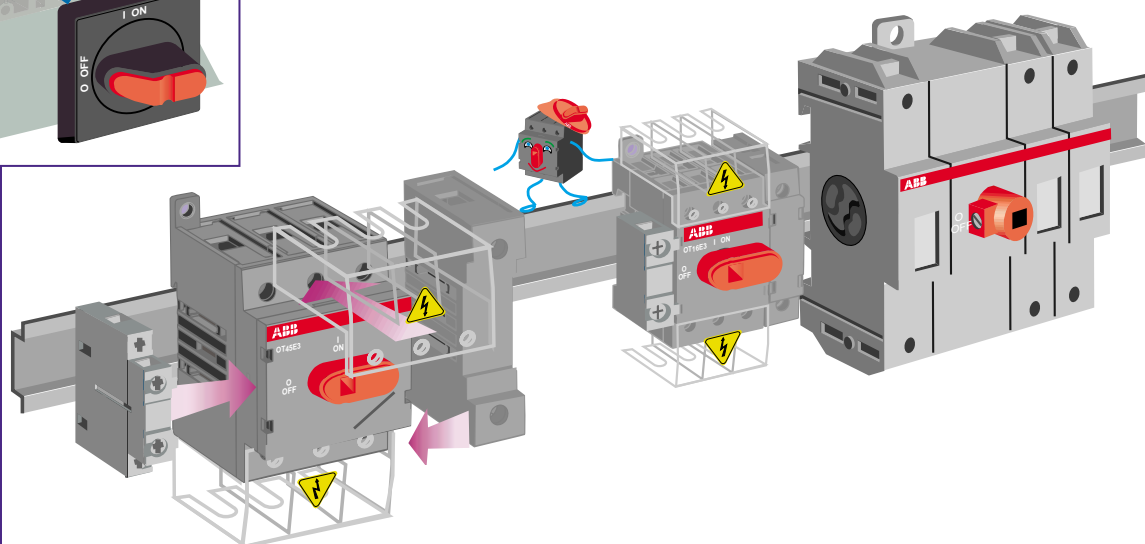


Electric or pneumatic screw drivers may be used to speed up the wiring. OT switches are suitable for a 45 mm module cut-out.

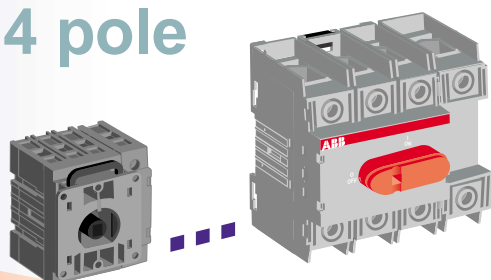
Accessories are easily snapped onto the switches.

6- and 8-pole switch types are available, those can also be built up by a snap-on kit on the top of two switch-disconnectors.

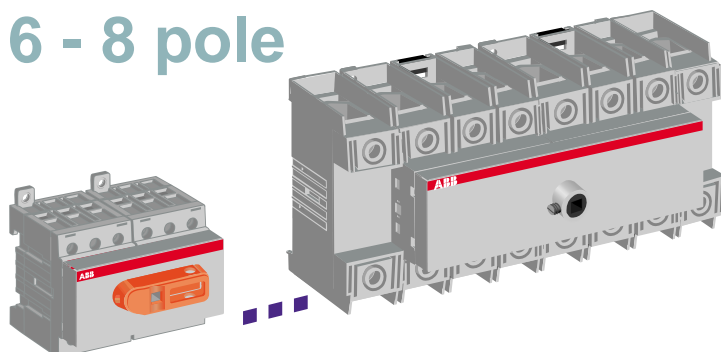
The fourth pole and auxiliary contacts can be added on the outer sides of the combination.

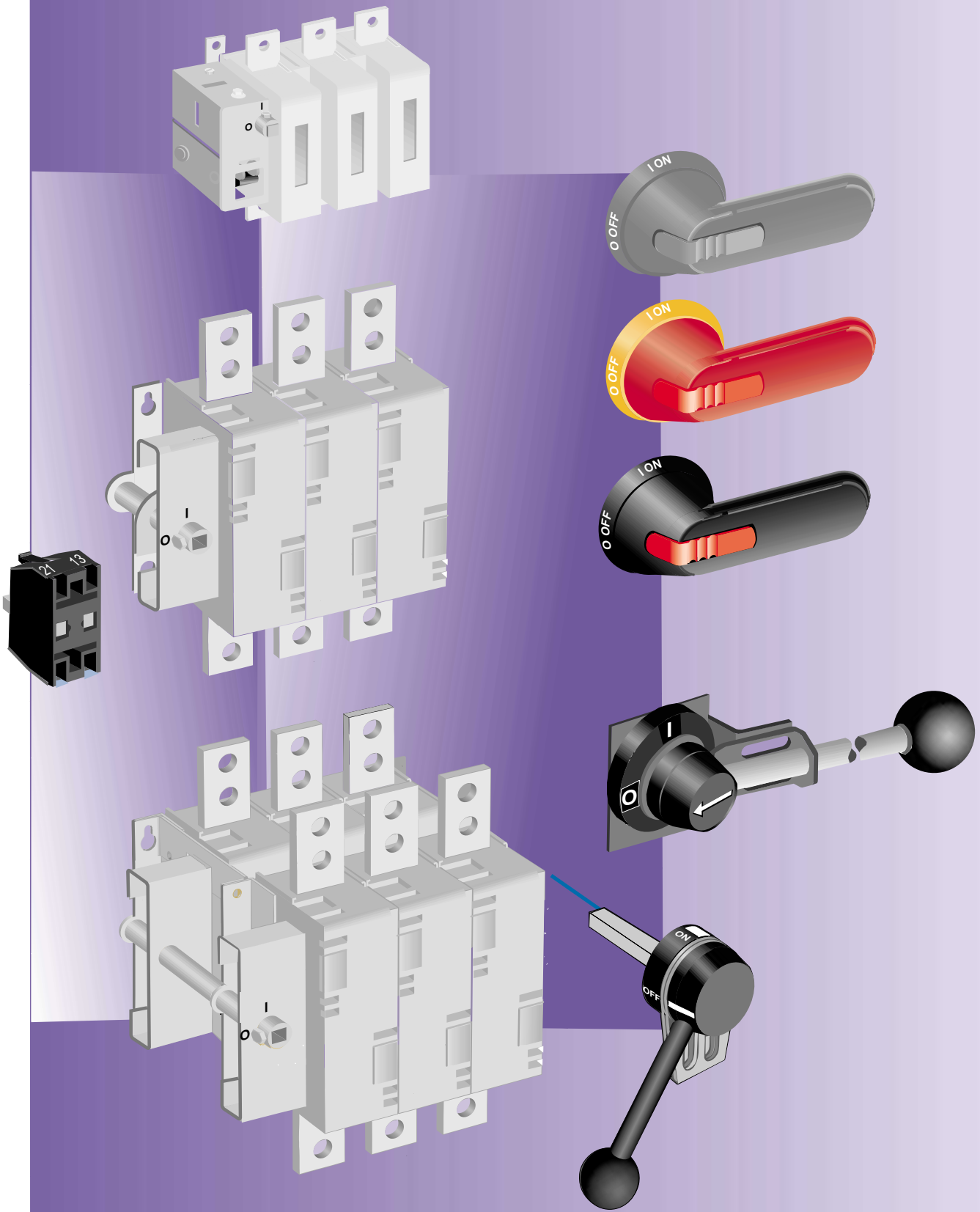


4 pole



6 - 8 pole





SwitchLine

Load Break Switches

The range of OETL switch-disconnectors consists of eleven different sizes from 200 A up to 3150A, both three- and four-pole switches. One- and two-pole switches are available on request.

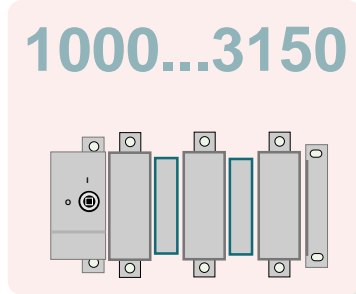
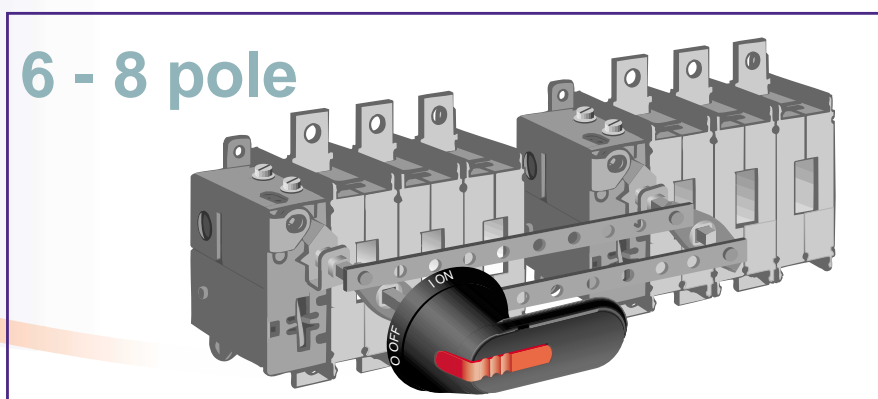
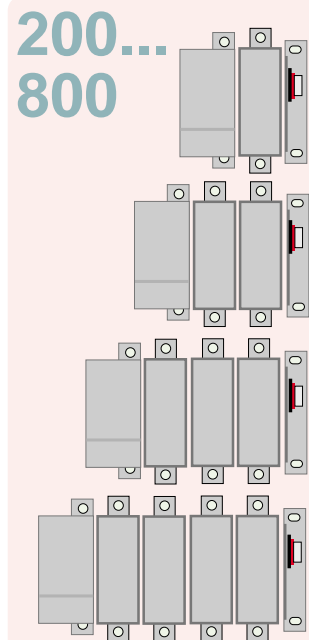
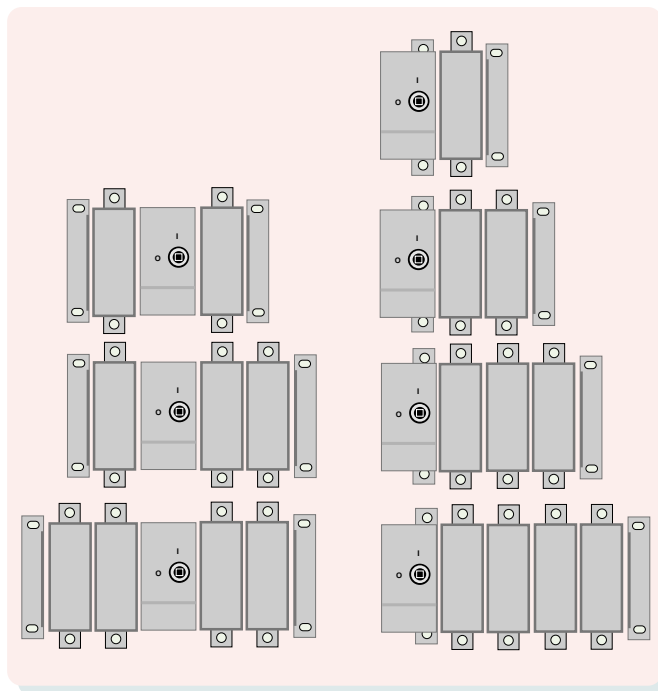
Flexibility of the Range

Their high performance allows mounting in all positions. Also the location possibilities of the mechanism increase their adaptability to different switchgears. The front-operated mechanism can be placed between the poles or to the side of the switch.

The modular construction enables a variety of different applications from motor control to DC-safety switches and busbar couplers with different pole sizes and phase distances.

Electrical and mechanical interlocks as well as kit systems for change-over switches and parallel switches from 3 to 8 pole enable the use of standard switches for special applications.

SwitchLine - OETL 200...3150



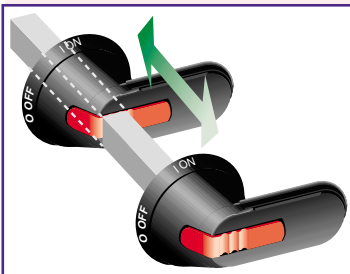
Types, in which the phase distance is adopted to the rail distance.

Switch-Disconnectors Load Break Switches

Designed for versatile performance

- Switch-Disconnectors
- Motor Circuit Switches
- Main Switches
- Local Safety Switches
- Special Switches
- Busbar Couplers

Easy Installation



Thanks to the adjustable shaft, the switches can be easily installed in panels of different depths.

The large switches are provided with key hole

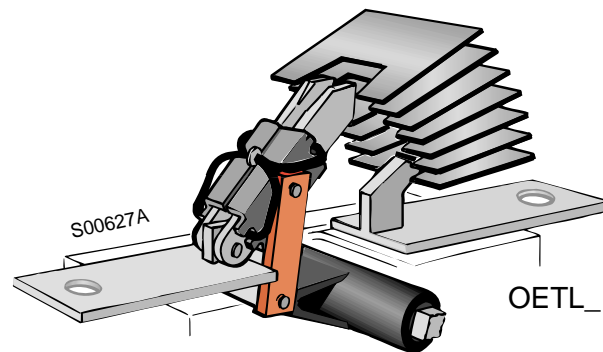
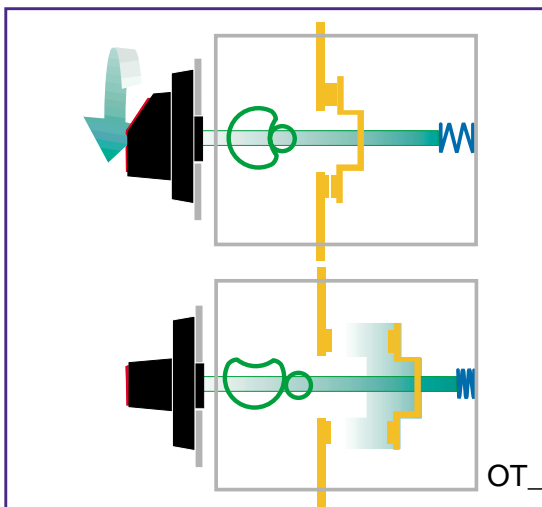
fixing brackets for easy and quick installation.

A comprehensive selection of optional accessories enables a variety of switch combinations as well as safe and versatile installations. For example the shrouds can be easily snapped onto a switch.

Outstanding electrical characteristics in extremely compact switch design contribute to space saving installation and operational convenience even in the most cramped circumstances.

Excellent Track Resistance

The excellent track resistance of the isolation material in the switch frame prevents flashover between phases in the most severe circumstances.



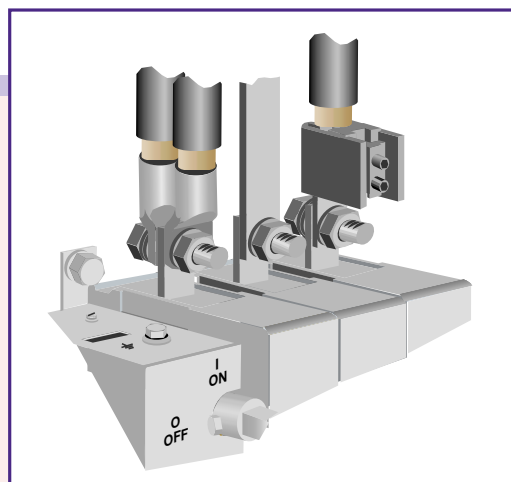
Patented self-cleaning contact construction, effective arc chute plates and a positive opening operation guarantee reliable performance. Rated voltage up to 1000 VAC.

Flexible mounting

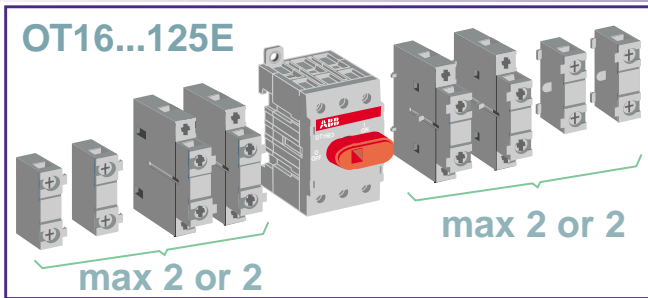
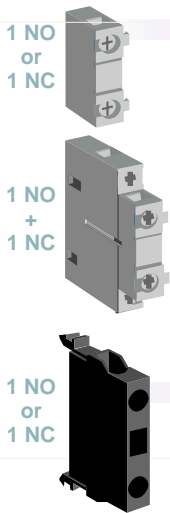
Al -cables can also be directly connected into the switch terminal with the OZXB Al/Cu clamps.

The short time withstand current of 50 kA/1 sec and electrical interlock allows its use as an earthing switch. This application needs panel space of only 210 mm x 400 mm.

The motor operator OEMO_ for remote control of the switches is available for switches from 200 A.



Auxiliary contacts

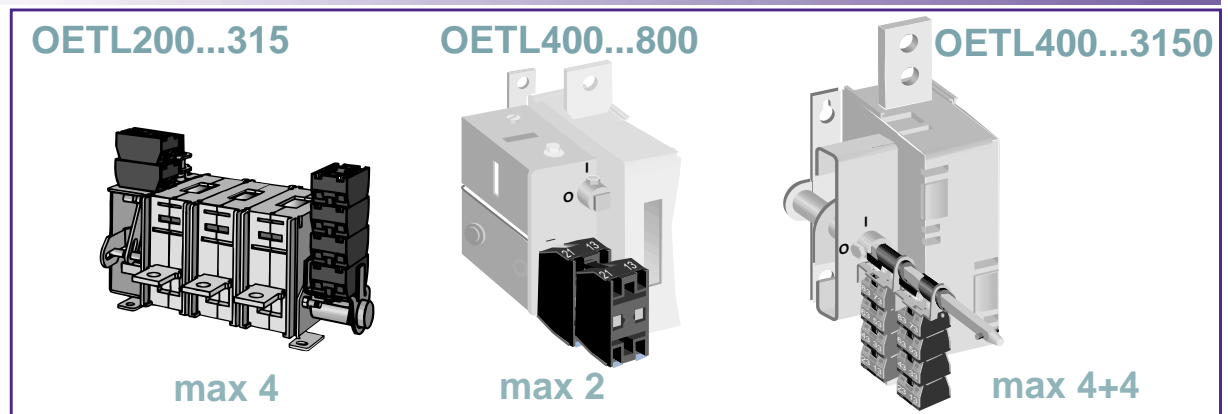
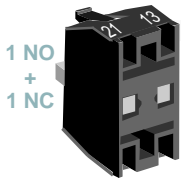
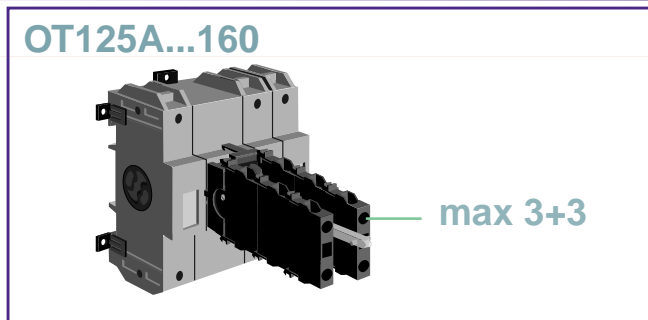


OT 16...125E switch-disconnectors share the same auxiliary contacts throughout the range. They are mounted by snap-on fitting on the side of the switch.

In types OT 125 A...160 A the auxiliary contacts can be fitted on top of the switch.

The auxiliary contacts can be fitted either on the top or on the side of the OETL 200...315 switches.

OETL 400...3150 switches can be provided with even eight 2-pole auxiliary contact blocks; altogether 16 auxiliary contacts.



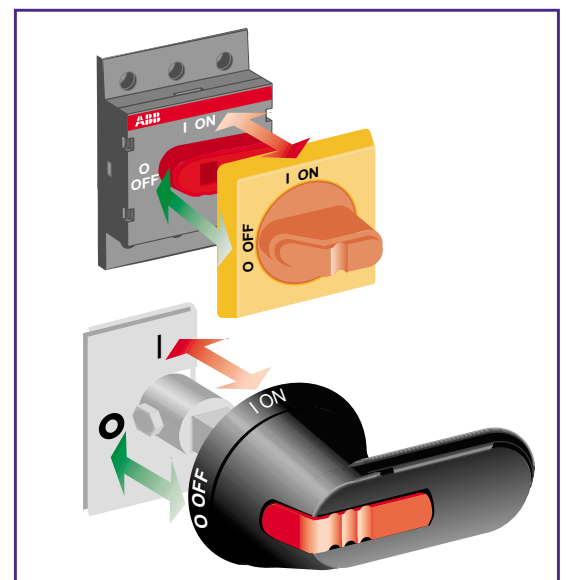
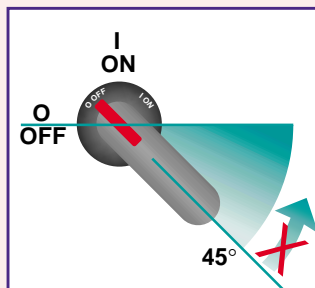
Reliable position indication

There are certain requirements for the disconnector set up involving several standards (see next page) that SwitchLine fulfills. The handle indicates with complete reliability the exact position of the contacts.

The position indication is reliable even if the contacts are welded together; then the handle does not reach OFF-position but remains between ON- and OFF-positions maintaining the interlock of the door.

The position of the contacts of the OETL load break switches is easily checked thanks to the holes on the frame.

The impulse withstand voltage also fulfills the requirements of the standards, either 8kV or 12 kV depending on the size of the switch.



Switch-Disconnectors Load Break Switches

Internationally competitive range

Tested according to IEC 60947-1 and -3, other related standards: IEC 60664, 60269 and 60204.

The SwitchLine series comply with all the major international standards and have a comprehensive range of approvals.

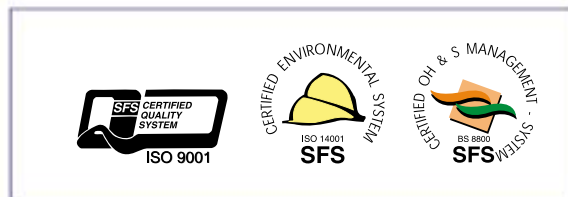
Compliance also with the European Machine Directives IEC 60204 (EN 60204).

Environmentally friendly

The products are designed according to the latest knowledge of environmentally friendly materials, e.g. heavy metals are avoided, cadmium is not used in the contacts.

The plastic used in switches is recyclable. Also the product packages are made of recyclable materials.

OT Switches have been tested for LCA Life cycle assessment, which describes the environmental impact of each stage in the life cycle for a product system, from raw material production to scrapping, recycling and waste treatment. LCA is to serve as a basis for EPDs (Environmental Product Declaration) and as a tool in Design For Environment. The result analysis is in line with EPS and Eco indicator 95 methods and they are available on request.



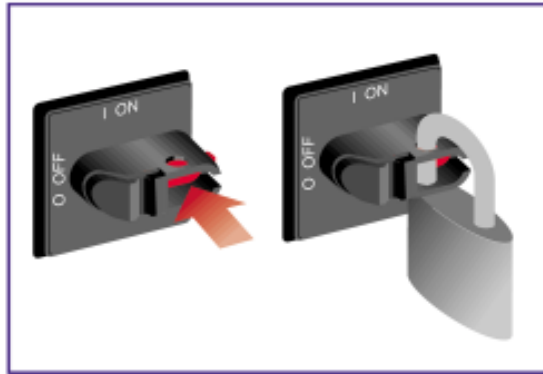
Award winning ergonomic handles

Our handle range is appreciated both domestically and internationally for its design. The range has been given awards for its functionality, excellent hand fitting and outward appearance.

When designing the handle range, certain aspects were considered in addition to appearance and ergonomic values; strength and functional capability when meeting the demands of the end users.



Diverse handle range

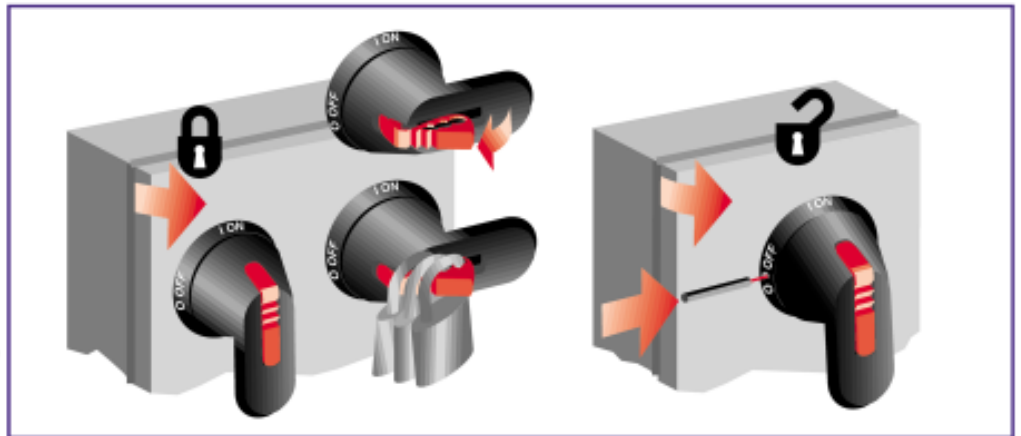
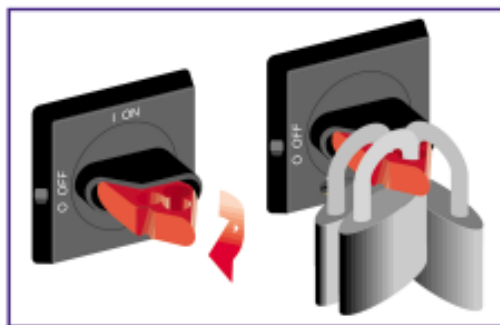
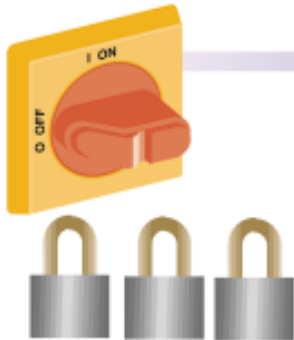


The plastic handles are marked with I-O and ON-OFF positions. The handle allows the opening of the door only in the OFF-position. This door interlock can be overwritten if needed.

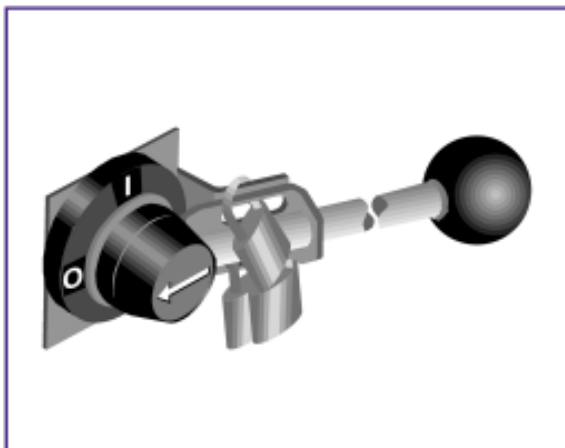
The selector type handles are available in black, grey, silver and red-yellow.

The selector type handles can be mounted on the switchboard door either by snap-on or screw-fitting. The mounting of the snap-on-fitting handles is quick and cost saving. The handles are fitted by screws behind the door, providing a double insulation (= no galvanic connection from door surface to switch frame). A rigid screw mounting ensures a vibration resistant installation.

The pistol type handles are available in black, grey and yellow-red.



Safety for the user



The handle can be padlocked with three padlocks in the OFF-position. Also the switch mechanism can be padlocked in OFF-position, when the door is open.

The handle cannot be operated nor padlocked in the OFF-position if any of the contacts are not completely open.

SwitchLine

Approvals and standards

Approvals (Detailed list on request)

ASTA
SEMKO
NEMKO
DEMKO
KEMA
BBJ (BIURO BADAN JAKOSCI)
Det Norske Veritas
Bureau Veritas
Finnish Electrical Inspectorate
Underwriters Laboratories (UL)
Polish Register of Shipping
Lloyd's Register of Shipping
Germanischer Lloyd
Maritime Register of Shipping
Canadian Standards Association (CSA)
GOST-R Certificate of Conformity

Standards

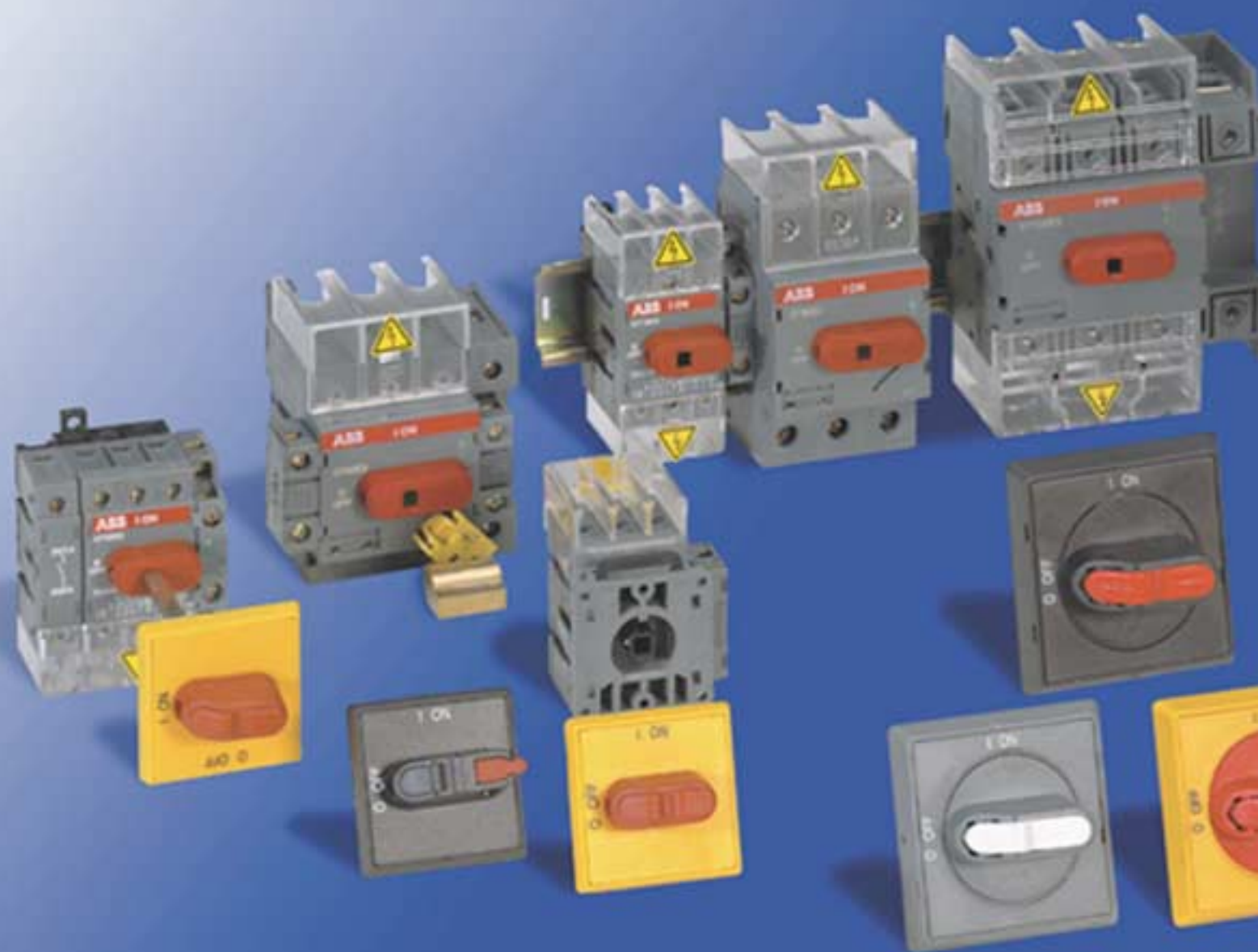
IEC 60947 / -1, -3, IEC 204 (EN 60204), BS 5419,
VDE 0660, VDE 0113, UL 508, UL 98, SS 4280605
CSA C22.2 No. 4 and 14
KY 119-95.



**SwitchLine
Switch-Disconnectors /
Load Break Switches
OT and OETL**

Contents:

OT 16...125	12 - 25
OT 125A...160	26 - 33
OETL 200...3150	34 - 50
Dimension drawings	51 - 69
Contact Functions	70 - 71





SwitchLine Switch-Disconnectors / Load Break Switches OT 16...125E

Contents:

Technical data for OT 16...125E acc. to IEC 60947	14 - 15
Selection table for OT 16...125E	16 - 17
Ordering information OT 16...125E	18 - 25
Switch-Disconnectors	
• Base and DIN-rail mounting switch-disconnectors	18
• Door mounting switch-disconnectors	18
• Non-fusible disconnect switches for North-American market	18
• 6-pole and 8-pole switch-disconnectors	19
Accessories	
• Fourth pole	19
• Neutral and earth terminals	19
• Handles for base and DIN-rail mounted switches	20
• Handles for door mounted switches	21
• Legend plates for handles	21
• Extended shafts	22
• Auxiliary contacts	22
• Locking accessories	23
• Mounting accessories	23
• Terminal shrouds	24
• Labelling accessories	24
• Terminal clamps	24
• Conversion kits for the combination switches	25
Switch-Disconnectors/Load Break Switches OT125A...160	27
Switch-Disconnectors/Load Break Switches OETL200...3150	35
Dimension drawings OT16...125E	52 - 57
Contact functions	70



SwitchLine

Technical data

Switch - Disconnectors OT 16...125E

TECHNICAL DATA ACCORDING TO IEC 60947

All rights for alterations are held without prior notice.

		Size	A	16	25	40	63	80	80	100
		Switch type		OT16_	OT25_	OT32_	OT45_	OT63_	OT80_	OT100_
Rated insulation voltage and rated operational voltage AC20/DC20	Pollution degree 3		V	750	750	750	750	750	750	750
Dielectric strength		50 Hz 1min.	kV	6	6	6	6	6	6	6
Rated impulse withstand voltage			kV	8	8	8	8	8	8	8
Rated thermal current and rated operational current AC20/DC20 / ambient 40°C		In open air	A	25	32	40	63	80	100	115
		In enclosure	A	25	32	40	63	80	80	115
		In enclosure	A	20	25	32	50	63	80	80
..with minimum conductor cross section		Cu	mm ²	4	6	10	16	25	25	35
Rated operational current, AC-21A		up to 415 V	A	16	25	40	63	80	80	100
		440 - 690 V	A	16	25	40	63	80	80	100
Rated operational current, AC-22A		up to 415 V	A	16	25	40	63	80	80	100
		440 - 500 V	A	16	25	40	63	80	80	100
		690 V	A	16	25	40	63	80	63	100
Rated operational current, AC-23A		up to 415 V	A	16	20	23	45	75	55	80
		440 V	A	16	20	23	45	65	51	65
		500 V	A	16	20	23	45	58	32	60
		690 V	A	10	11	12	20	20	20	40
Rated operational current / poles in series, DC-21A		up to 48 V ¹⁾	A	16/1	25/1	32/1	63/1	80/1	80/1	100/1
		110 V	A	16/2	25/2	32/2	63/2	80/2	80/2	100/2
		220 V	A	16/3	25/3	32/3	63/4	80/4	80/4	100/4
		500 V	A	16/4	16/4	16/4	16/4	16/4	20/4	
		750 V	A	16/8	25/8	32/8				
Rated operational current / poles in series, DC-22A		up to 48 V ¹⁾	A	16/1	25/1	32/1	63/1	80/1	80/1	100/1
		110 V	A	16/2	25/2	32/2	63/2	80/2	80/2	100/2
		220 V	A	16/3	25/3	32/4	45/4	45/4	45/4	63/4
		750 V	A	16/8	25/8	25/8				
Rated operational current / poles in series, DC-23A		up to 48 V ¹⁾	A	16/1	25/1	32/1	63/1	80/1	80/1	100/1
		110 V	A	16/2	25/2	32/2	63/2	80/2	80/2	100/2
		220 V	A	16/4	25/4	32/4	45/4	45/4	45/4	63/4
		440 V	A	10/4	10/4	10/4	10/4	10/4	10/4	
		750 V	A	16/8	16/8	16/8				
Rated operational power, AC-23A	The kW-ratings are accurate for 3-phase 1500 R.P.M. standard asynchronous motors.	220-240 V	kW	3	4	5,5	11	22	18,5	22
		400-415 V	kW	7,5	9	11	22	37	30	37
		440 V	kW	7,5	9	11	22	37	30	37
		500 V	kW	7,5	9	11	22	37	18,5	37
		690 V	kW	7,5	9	11	15	18,5	15	37
Rated breaking capacity, AC-23A		up to 415 V	A	128	160	184	360	640	440	640
		440 V	A	128	160	184	360	448	408	520
		500 V	A	128	160	184	360	464	256	480
		690 V	A	80	88	96	160	160	160	320
Rated breaking capacity/poles in series, DC-23		up to 48 V	A	64/1	100/1	128/1	180/1	252/1	320/1	400/1
		110 V	A	64/2	100/2	128/2	180/2	252/2	320/2	400/2
		220 V	A	64/3	100/4	128/4	180/4	252/4	320/4	400/4
Rated conditional short-circuit current r.m.s. and corresponding cut-off current of the fuse in single-phase test according IEC269	IEC269 OFAA/OFAM-fuse size	10 kA, 400V	kA							8,2 100/80
	IEC269 OFAA/OFAM-fuse size	10 kA, 690V	kA							8,2 100/80
	IEC269 OFAA/OFAM-fuse size	50 kA, 415 V/500 V	kA	6,5	6,5	6,5	8,3	11	11	18
	IEC269 OFAA/OFAM-fuse size	50 kA, 690 V	kA	4	4	4	6,7	11	11	12
	IEC269 OFAA/OFAM-fuse size	100 kA, 500 V	kA					14		
	IEC269 OFAA/OFAM-fuse size							80/63		
Rated short-time withstand current	R.M.S. -value I _{cw}	690V, 1s	kA	0,5	0,5	0,5	1	1,5	1,5	2,5
Rated short circuit making capacity	Peak value I _{cm}	690V/500V	kA	0,705	0,705	0,705	1,4	2,1	2,1	3,6
Rated capacitor power (The capacitor ratings are limited by the fuse link.)		400 - 415 V	kVAr	5	10	15	25	30	30	40
Power loss / pole	At rated operational current		W	0,3	0,6	1,6	2,8	4,5	6,4	4,0
Mechanical endurance	Divide by two for operation cycles		Oper.	20 000	20 000	20 000	20 000	20 000	20 000	20 000
Weight without accessories	3-pole		kg	0,11	0,11	0,11	0,27	0,27	0,32	0,36
	4-pole		kg	0,15	0,15	0,15	0,35	0,35	0,40	0,5
Cable size	Cu-wire size suitable for terminal clamps		mm ²	0,75-10	0,75-10	0,75-10	1,5-35	1,5-35	2-50	10-70
			AWG	18-8	18-8	18-8	14-4	14-4	14-0	14-4
Terminal tightening torque	Counter torque required		Nm	0,8	0,8	0,8	2	2	6	2,5
Operating torque	3-pole switch-disconnector		Nm	1	1	1	1,2	1,2	1,2	2

¹⁾ Below 48 V, two poles in parallel up to OT 80 are recommended particularly in polluted atmosphere

SwitchLine

Technical data

Switch - Disconnectors OT 16...125E

125

OT125E_	OT30_	OT60_
750	750	750
6	6	6
8	8	8
125	40	63
125	40	63
100	32	50
50	10	25
125	40	63
125	40	63
125	40	63
125	40	63
125	40	63
125	40	63
90	40	63
78	40	63
70	40	63
50	40	40
125/1	40/1	63/1
125/2	40/2	63/2
125/4	40/3	63/4
125/1	40/1	63/1
125/2	40/2	63/2
80/4	40/3	63/4
125/1	40/1	63/1
125/2	40/2	63/2
63/4	40/3	63/4
22	11	18,5
45	18,5	30
45	22	30
45	22	30
45	22	30
720	320	504
624	320	504
560	320	504
400	320	320
500/1	160/1	252/1
500/2	160/2	252/2
252/4	160/3	252/4
8,2	8,2	8,2
125/100	63/50	80/63
8,2	8,2	8,2
125/100	63/50	80/63
18	18	18
100/80	200/200	63/50
12	12	12
100/80	125/100	63/50
2,5	2,5	2,5
3,6	3,6	3,6
50	10	25
6,3		
20 000	20 000	20 000
0,36	0,36	0,36
0,5	0,50	0,50
10-70	2,5-25	2,5-25
8-00	14-4	8-00
6		
2		



OT16...125E



OT 125A...160, Technical data, see page 28

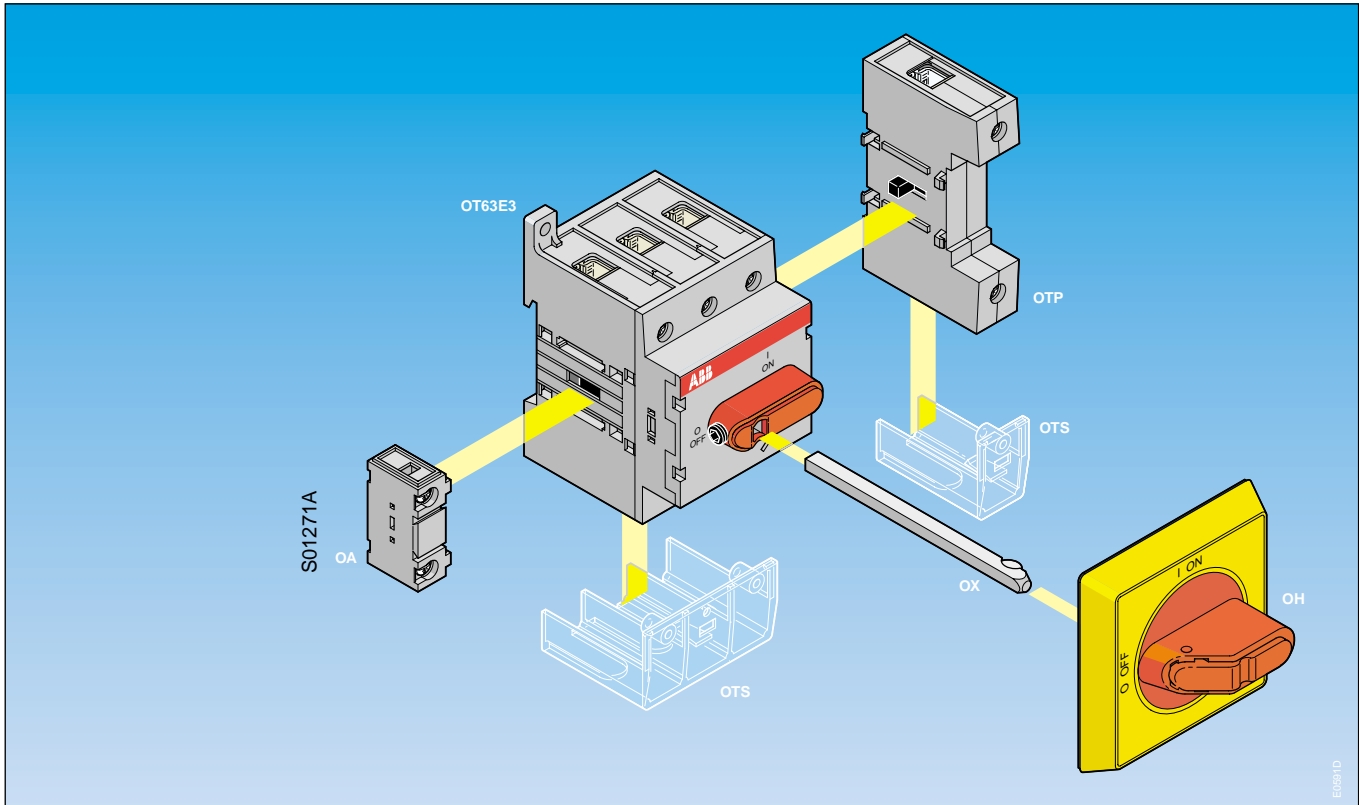






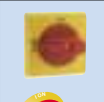
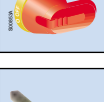


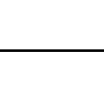
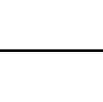
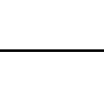
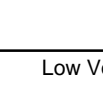
OETL 200...3150, Technical data, see pages 36-37

SwitchLine

Selection table, OT 16...125E

Base or DIN rail mounted switch-disconnectors

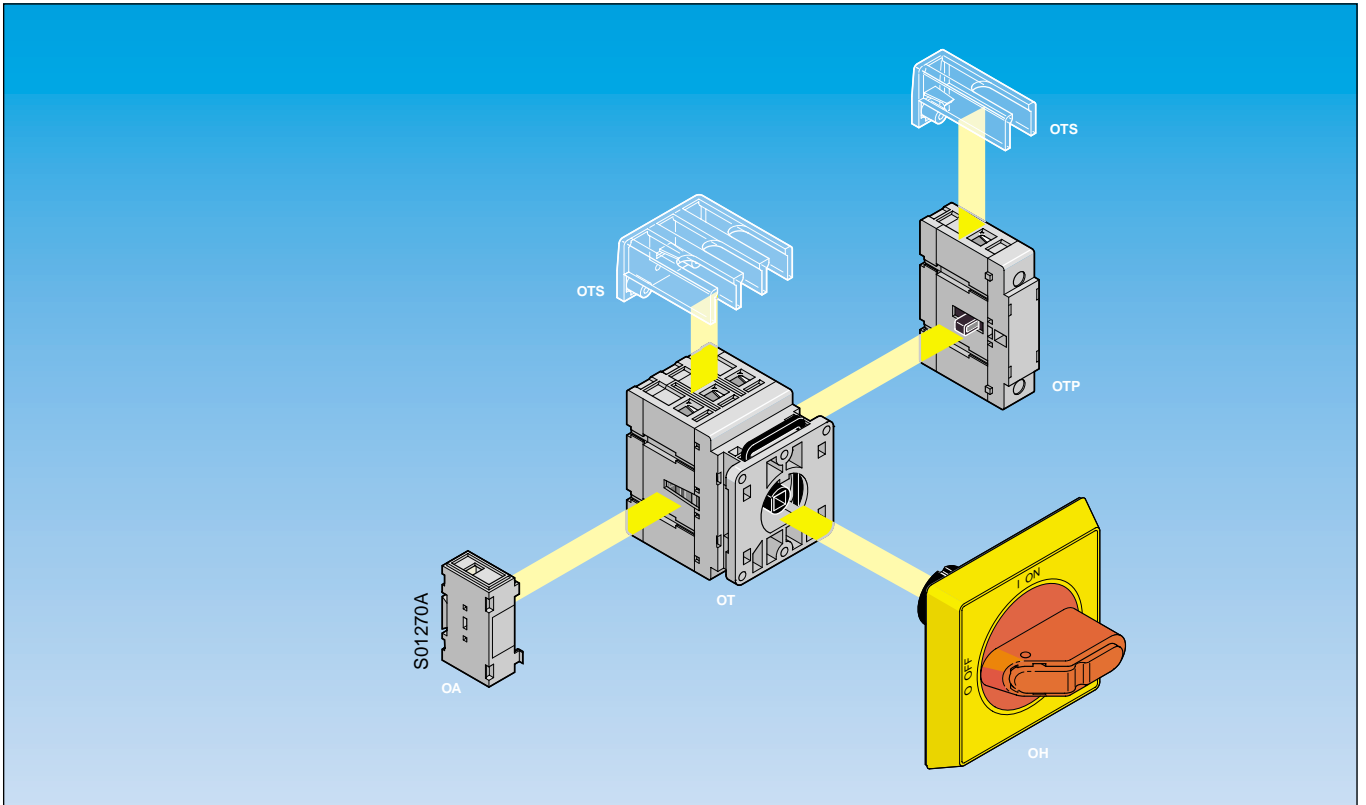




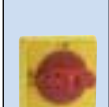


Size	16	25	40	63	80	80	100	125	
SwitchLine types	OT16E_ OT25E_ OT32E_			OT45E_ OT63E_		OT80E_	OT100E_ OT125E_		
4th pole	 OTP_32_ (right or left)			 OTP_63_ (right or left)		 OTP_80_ (right or left)	 OTP_125_ (right or left)		
Handles IP 54	 OH_1_ Black, yellow-red, silver, grey: I-O, ON-OFF								
	 OH_3_ Black, yellow-red, silver, grey: I-O, ON-OFF								
Handles IP 65	 OH_2_ Black, yellow-red, silver, grey: I-O, ON-OFF								
	 OH_45J5 Black, yellow-red: I-O, ON-OFF, grey: I-O								
Extended shafts	 OX_ Length : 85...400 mm								
Auxiliary contacts	 OA1G_ 1NC, 1NO OA2_ 1NO + 1NC								
Terminal shrouds	 OTS 32_			 OTS 63_		 OTS 80_	 OTS 125_		

SwitchLine

Selection table, OT 16...125E

Door mounted switch-disconnectors



Size	16	25	40	63	80	100	125
Switch Line types	OT16ET_ OT25ET_ OT32ET_			OT45ET_ OT63ET_		OT100ET_ OT125ET_	
4th pole	 OTP_32_ (right or left)			 OTP_63_ (right or left)		 OTP_125_ (right or left)	
Handles IP 54 Black, yellow-red, silver and grey I-O, ON-OFF	 OH_1P_ OH_3P_ OH_1R_ OH_3R_			-		-	
Handles IP 65 Black, yellow-red, silver and grey I-O, ON-OFF	 OH_2P_ OH_2R_			OH_2R_			
Auxiliary contacts	 OA1G_ 1NC, 1NO OA2_ 1NO + 1NC						
Terminal shrouds	 OTS 32_			OTS 63_		OTS 125_	

SwitchLine

Ordering Information

OT 16...125E

Base and DIN-rail mounting switch-disconnectors

Including protected terminal clamps, IP 20. Handle and shaft have to be ordered separately.

Number of poles	I_{th} (open) [A]	Cable cross section [mm ²]	Operational currents AC22/AC23 415V [A/A]	Type	Order number	Recomm. order quantity ⁶⁾ [pcs]	Weight/one pc [kg]
3	25	0.75...10	16 / 16	OT 16E3	1SCA022283R8470	10	0.11
4	25	0.75...10	16 / 16	OT 16E4	1SCA022352R7170	10	0.14
3	32	0.75...10	25 / 20	OT 25E3	1SCA022283R8630	10	0.11
4	32	0.75...10	25 / 20	OT 25E4	1SCA022352R7330	10	0.14
3	40	0.75...10	40 / 23	OT 32E3	1SCA022283R9010	10	0.11
4	40	0.75...10	40 / 23	OT 32E4	1SCA022352R7500	10	0.14
3	63	1.5...35	63 / 45	OT 45E3	1SCA022352R6950	10	0.27
4	63	1.5...35	63 / 45	OT 45E4	1SCA022352R7680	10	0.30
3	80	1.5...35	80 / 75	OT 63E3	1SCA022352R7090	10	0.27
4	80	1.5...35	80 / 75	OT 63E4	1SCA022352R7760	10	0.30
3	100	2.5...50	80 / 55	OT 80E3	1SCA022353R7210	10	0.32
4	100	2.5...50	80 / 55	OT 80E4	1SCA022369R2960	10	0.40
3	115	10...70	100 / 80	OT 100E3	1SCA022398R4400	10	0.36
4	115	10...70	100 / 80	OT 100E4	1SCA022398R4580	10	0.50
3	125	10...70	125 / 90	OT 125E3	1SCA022353R7480	10	0.36
4	125	10...70	125 / 90	OT 125E4	1SCA022373R1880	10	0.50

Door mounting switch-disconnectors

Including protected terminal clamps, IP 20. The handle has to be ordered separately.

3	25	0.75...10	16 / 16	OT 16ET3	1SCA022352R6610	10	0.13
4	25	0.75...10	16 / 16	OT 16ET4	1SCA022352R7250	10	0.16
3	32	0.75...10	25 / 20	OT 25ET3	1SCA022352R6790	10	0.13
4	32	0.75...10	25 / 20	OT 25ET4	1SCA022352R7410	10	0.16
3	40	0.75...10	40 / 23	OT 32ET3	1SCA022352R6870	10	0.13
4	40	0.75...10	40 / 23	OT 32ET4	1SCA022347R3490	10	0.16
3	63	1.5...35	63 / 45	OT 45ET3	1SCA022353R7050	10	0.28
4	63	1.5...35	63 / 45	OT 45ET4	1SCA022371R5500	10	0.35
3	80	1.5...35	80 / 75	OT 63ET3	1SCA022353R7130	10	0.28
4	80	1.5...35	80 / 75	OT 63ET4	1SCA022371R6490	10	0.35
3	115	10...70	100 / 80	OT 100ET3	1SCA022393R9280	10	0.40
4	115	10...70	100 / 80	OT 100ET4	1SCA022398R4660	10	0.54
3	125	10...70	125 / 90	OT 125ET3	1SCA022353R7560	10	0.40
4	125	10...70	125 / 90	OT 125ET4	1SCA022376R8880	10	0.54

Non-fusible disconnect switches for North-American market

Ampere rating [A]	Horsepower rating 3-phase [HP]					Type	Order number	Recomm. order qty. [pcs]	Weight [kg]
	200V	208V	240V	480V	600V				
16	3	3	5	10	10	OT 16E3	1SCA022283R8470	10	0.11
						OT 16E4	1SCA022352R7170	10	0.14
						OT 16ET3	1SCA022352R6610	10	0.13
						OT 16ET4	1SCA022352R7250	10	0.16
25	7.5	7.5	7.5	15	20	OT 25E3	1SCA022283R8630	10	0.11
						OT 25E4	1SCA022352R7330	10	0.14
						OT 25ET3	1SCA022352R6790	10	0.13
						OT 25ET4	1SCA022352R7410	10	0.16
40	10	10	10	20	25	OT 32E3	1SCA022283R9010	10	0.11
						OT 32E4	1SCA022352R7500	10	0.14
						OT 32ET3	1SCA022352R6870	10	0.13
						OT 32ET4	1SCA022347R3490	10	0.16
60	15	15	15	30	30	OT 45E3	1SCA022352R6950	10	0.27
						OT 45E4	1SCA022352R7680	10	0.30
						OT 45ET3	1SCA022353R7050	10	0.28
						OT 45ET4	1SCA022371R5500	10	0.35
80	20	20	20	40	40	OT 63E3	1SCA022352R7090	10	0.27
						OT 63E4	1SCA022352R7760	10	0.30
						OT 63ET3	1SCA022353R7130	10	0.28
						OT 63ET4	1SCA022371R6490	10	0.35
30	10	10	10	20	30	OT 30E3	1SCA022553R6660	10	0.36
						OT 30E4	1SCA022553R6820	10	0.50
60	20	20	20	40	40	OT 60E3	1SCA022553R6740	10	0.36
						OT 60E4	1SCA022553R6910	10	0.50
100	25	25	30	50	50	OT 100E3	1SCA022398R4400	10	0.36
						OT 100E4	1SCA022398R4580	10	0.50

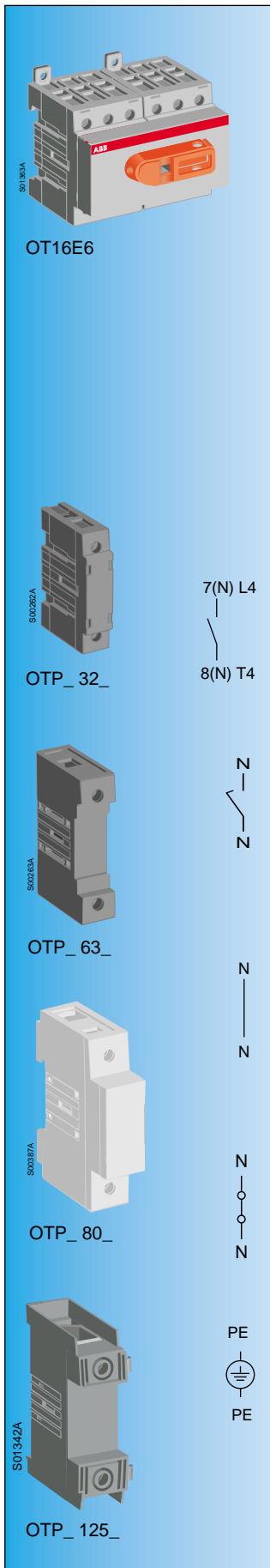
• Approvals for North-American types: - OT 16...63: UL 508, CSA 22-2 # 14
 - OT30, 60, 100: UL 98, CSA 22-2 # 4
 - IEC 60947-3

• Types OT16E3...OT63E3 are available in a bulk package, which includes 50 switches. Type number; add a suffix: /B, e.g. OT16E3/B

SwitchLine

Ordering Information

OT 16...125E, Accessories



6-pole and 8-pole switch-disconnectors

Including protected terminal clamps, IP 20. Handle and shaft have to be ordered separately.

Number of poles	I _{th} (open) [A]	Cable cross section [mm ²]	Operational currents AC22/AC23 415V [A/A]	Type	Order number	Suitable shaft	Weight [kg]
6	25	0,75...10	16/16	OT16E6	1SCA022551R4420	5 mm	0.25
6	32	0,75...10	25/20	OT25E6	1SCA022551R5230	5 mm	0.25
6	40	0,75...10	40/23	OT32E6	1SCA022551R2720	5 mm	0.25
6	63	1,5...35	63/45	OT45E6	1SCA022551R3610	6 mm	0.61
6	80	1,5...35	80/75	OT63E6	1SCA022551R6040	6 mm	0.61
6	100	2,5...50	80/55	OT80E6	1SCA022551R6800	6 mm	0.71
6	115	10...70	100/80	OT100E6	1SCA022551R7610	6 mm	0.81
6	125	10...70	125/90	OT125E6	1SCA022551R8410	6 mm	0.81
8	25	0,75...10	16/16	OT16E8	1SCA022551R4510	5 mm	0.31
8	32	0,75...10	25/20	OT25E8	1SCA022551R5310	5 mm	0.31
8	40	0,75...10	40/23	OT32E8	1SCA022551R2990	5 mm	0.31
8	63	1,5...35	63/45	OT45E8	1SCA022551R3700	6 mm	0.67
8	80	1,5...35	80/75	OT63E8	1SCA022551R6120	6 mm	0.67
8	100	2,5...50	80/55	OT80E8	1SCA022551R6980	6 mm	0.87
8	115	10...70	100/80	OT100E8	1SCA022551R7790	6 mm	1.1
8	125	10...70	125/90	OT125E8	1SCA022551R8500	6 mm	1.1

Fourth Pole

Suitable for switches	Type	Order number	Recomm. order qty [pcs]	Weight one pc [kg]
Simultaneous function with the main contacts				
OT16...32E3	OTPS 32EP	1SCA022348R2480	10	0.03
OT 45...63E3	OTPS 63EP	1SCA022353R5350	10	0.06
OT 80E3	OTPS 80EP	1SCA022371R6220	10	0.08
OT 100...125E3	OTPS 125EP	1SCA022379R8010	10	0.14
OT 16...32ET3	OTPS 32ED	1SCA022353R5270	10	0.03
OT 45...63ET3	OTPS 63ED	1SCA022347R4110	10	0.06
OT 100...125ET3	OTPS 125ED	1SCA022379R7980	10	0.14

Late-break and early-make

OT 16...32E3	OTPL 32EP	1SCA022353R5430	10	0.03
OT 45...63E3	OTPL 63EP	1SCA022353R5600	10	0.06
OT 80E3	OTPL 80EP	1SCA022379R8610	10	0.08
OT 100...125E3	OTPL 125EP	1SCA022379R8790	10	0.14
OT 16...32ET3	OTPL 32ED	1SCA022353R5510	10	0.03
OT 45...63ET3	OTPL 63ED	1SCA022371R5680	10	0.06
OT 100...125ET3	OTPL 125ED	1SCA022379R8360	10	0.14

Neutral and earth terminals

Fixed neutral

OT 16...32E3	OTPN 32EP	1SCA022353R5780	10	0.03
OT 45...63E3	OTPN 63EP	1SCA022353R5940	10	0.06
OT 80E3	OTPN 80EP	1SCA022379R8950	10	0.08
OT 100...125E3	OTPN 125EP	1SCA022379R9090	10	0.14
OT 16...32ET3	OTPN 32ED	1SCA022353R5860	10	0.03
OT 45...63ET3	OTPN 63ED	1SCA022371R5760	10	0.06
OT 100...125ET3	OTPN 125ED	1SCA022379R8870	10	0.14

Detachable neutral

OT 16...32E3	OTPD 32EP	1SCA022353R6080	10	0.03
OT 45...63E3	OTPD 63EP	1SCA022353R6240	10	0.06
OT 80E3	OTPD 80EP	1SCA022379R9250	10	0.08
OT 100...125E3	OTPD 125EP	1SCA022379R9170	10	0.14
OT 16...32ET3	OTPD 32ED	1SCA022353R6160	10	0.03
OT 45...63ET3	OTPD 63ED	1SCA022371R5840	10	0.06
OT 100...125ET3	OTPD 125ED	1SCA022379R9500	10	0.14

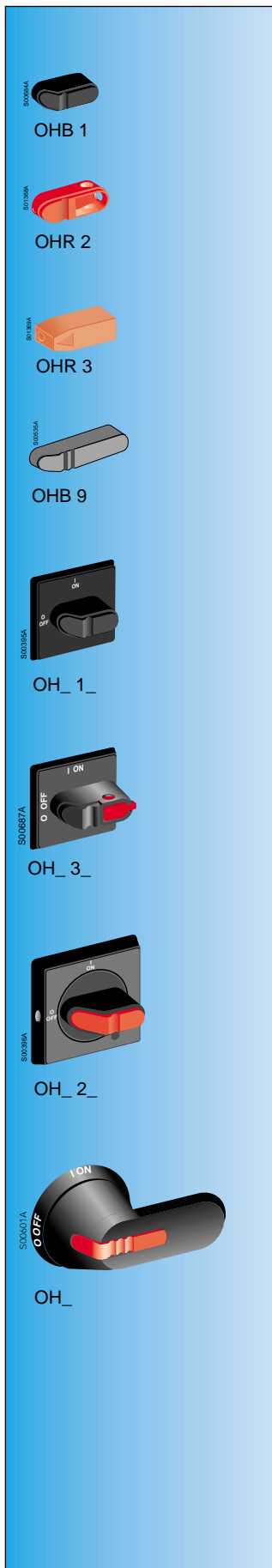
Protective earth

OT 16...32E3	OTPE 32EP	1SCA022353R6320	10	0.03
OT 45...63E3	OTPE 63EP	1SCA022353R6590	10	0.06
OT 80E3	OTPE 80EP	1SCA022379R9410	10	0.08
OT 100...125E3	OTPE 125EP	1SCA022386R6620	10	0.14
OT 16...32ET3	OTPE 32ED	1SCA022353R6410	10	0.03
OT 45...63ET3	OTPE 63ED	1SCA022393R9100	10	0.06
OT 100...125ET3	OTPE 125ED	1SCA022379R9330	10	0.14

SwitchLine

Ordering Information

OT 16...125E, Accessories

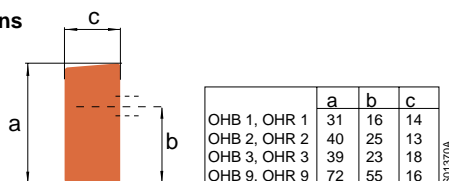


Handles for base and DIN-rail mounted switches¹⁾

See dimension drawings, pages 57 and 66.

Description	Type	Order number	Recomm. order qty
Handle knobs, mounting directly to the switch, no shaft needed			
Suitable for OT16...80E.			
Black	OHB 1	1SCA022366R1900	150
Suitable for OT16...125, padlockable with one padlock with bail diameter 5 mm			
Black	OHB 2	1SCA022648R3810	150
Red	OHR 2	1SCA022645R2420	150
Suitable for OT16...125.			
Black	OHB 3	1SCA022648R4110	100
Red	OHR 3	1SCA022648R4200	100
Suitable for 6- and 8-pole switches OT45...125E6 and _E8.			
Black	OHB 9	1SCA022648R3900	100
Red	OHR 9	1SCA022648R4030	100
Selector type handles			
Indication I-O and ON-OFF, shaft (diameter 5 mm) has to be ordered separately page 22, door drilling 22,5 mm.			
IP 54 handles, suitable for OT16...80E, NEMA 1			
Black	OHB 1AH	1SCA022347R3810	150
Yellow-red	OHY 1AH	1SCA022347R3900	
Silver	OHS 1AH	1SCA022353R2090	
Grey	OHG 1AH	1SCA022353R2330	
IP 54 handles, door interlock in ON-position, suitable for OT16...80E, NEMA 1			
Black	OHB 1AH1	1SCA022364R6340	150
Yellow-red	OHY 1AH1	1SCA022364R6420	
Silver	OHS 1AH1	1SCA022364R6510	
Grey	OHG 1AH1	1SCA022364R6690	
IP 54 handles, padlockable with one padlock with bail diameter 5...6.3 mm, suitable for OT16...125E, NEMA 1			
Black	OHB 3AH	1SCA022428R8960	150
Yellow-red	OHY 3AH	1SCA022428R9180	
Silver	OHS 3AH	1SCA022398R6010	
Grey	OHG 3AH	1SCA022428R9690	
IP 54 handles, padlockable with one padlock with bail diameter 5...6.3 mm, door interlock in ON-position, suitable for OT16...125E, NEMA 1			
Black	OHB 3AH1	1SCA022428R9000	150
Yellow-red	OHY 3AH1	1SCA022400R3710	
Silver	OHS 3AH1	1SCA022400R3630	
Grey	OHG 3AH1	1SCA022428R9770	
IP 65 handles, padlockable with max. 3 padlocks with bail diameter 5...8 mm, door interlock in ON-position, defeatable, suitable for OT16...125E, NEMA 1, 3R, 12			
Black	OHB 2AJ	1SCA022347R4030	120
Yellow-red	OHY 2AJ	1SCA022353R2840	
Silver	OHS 2AJ	1SCA022353R3140	
Grey	OHG 2AJ	1SCA022353R3490	
IP 65 handles, padlockable with max. 3 padlocks with bail diameter 5...8 mm, door interlock in ON-position, suitable for OT16...125E, NEMA 1, 3R, 12			
Black	OHB 2AJ1	1SCA022358R5110	120
Yellow-red	OHY 2AJ1	1SCA022358R5290	
Silver	OHS 2AJ1	1SCA022359R0110	
Grey	OHG 2AJ1	1SCA022359R0020	
Pistol type handles, IP 65, shaft diameter 5 mm, NEMA 1, 3R, 12			
Padlockable with max. 3 padlocks with bail diameter 5...10 mm in OFF-position, door interlock in ON-position, defeatable ²⁾ . Indication in types OHB_ and OHY_: I-O/ON-OFF, in OHG_ types : I-O, suitable for OT16...125E.			
Handle length 45 mm			
Black	OHB 45J5	1SCA022380R8180	100
Yellow-red	OHY 45J5	1SCA022380R8340	
Grey	OHG 45J5	1SCA022380R8260	

Handle knobs; dimensions



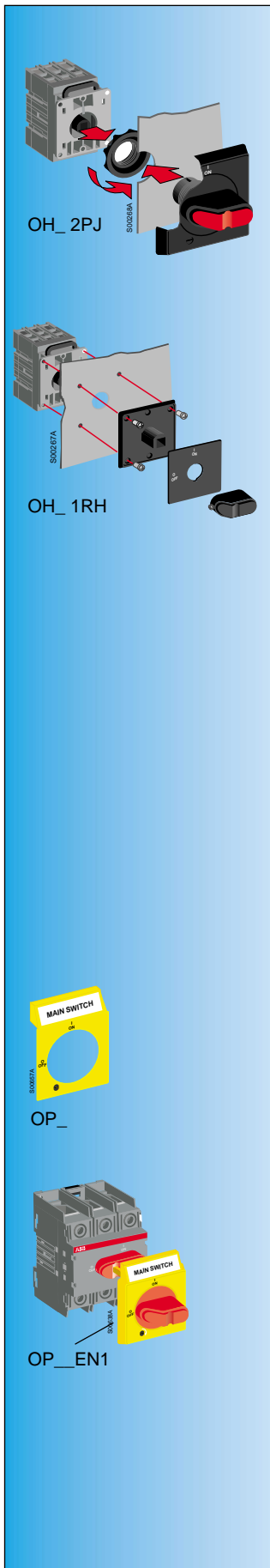
¹⁾ Shafts on page 22.

²⁾ Door interlock bracket OHZX4, see page 47.

SwitchLine

Ordering Information

OT 16...125E, Accessories



Handles for door mounted switches

See dimension drawings page 57.

Selector type handles. Indication I-O and ON-OFF. No separate shaft needed.

Description	Type	Order number	Recomm. order qty
-------------	------	--------------	-------------------

Snap-on mounting, door drilling 22,5 mm

No padlocking, suitable for OT16...32ET, IP 54, NEMA 1

Black	OHB 1PH	1SCA022353R1610	150
Yellow-red	OHY 1PH	1SCA022353R1870	
Silver	OHS 1PH	1SCA022353R2170	
Grey	OHG 1PH	1SCA022353R2410	

Padlockable with one padlock, suitable for OT16...32ET, IP 54, NEMA 1

Black	OHB 3PH	1SCA022428R9260	150
Yellow-red	OHY 3PH	1SCA022400R3120	
Silver	OHS 3PH	1SCA022400R4100	
Grey	OHG 3PH	1SCA022428R9510	

Padlockable with max. 3 padlocks, suitable for OT16...32ET, IP 65, NEMA 1, 3R, 12

Black	OHB 2PJ	1SCA022353R2680	120
Yellow-red	OHY 2PJ	1SCA022353R2920	
Silver	OHS 2PJ	1SCA022353R3220	
Grey	OHG 2PJ	1SCA022353R3650	

Screw mounting

No padlocking, suitable for OT16...63E, IP 54, hole distance 36 mm, NEMA 1

Black	OHB 1RH	1SCA022353R1790	150
Yellow-red	OHY 1RH	1SCA022353R1950	
Silver	OHS 1RH	1SCA022353R2250	
Grey	OHG 1RH	1SCA022353R2500	

Padlockable with one padlock, suitable for OT16...63ET, IP 54, hole distance 36 mm, NEMA 1

Black	OHB 3RH	1SCA022428R9340	150
Yellow-red	OHY 3RH	1SCA022400R3550	
Silver	OHS 3RH	1SCA022400R3390	
Grey	OHG 3RH	1SCA022428R9420	

Padlockable with max. 3 padlocks, suitable for OT16...125ET, IP 65, hole distance both 36 mm and 48 mm, NEMA 1, 3R, 12

Black	OHB 2RJ	1SCA022353R2760	120
Yellow-red	OHY 2RJ	1SCA022353R3060	
Silver	OHS 2RJ	1SCA022353R3310	
Grey	OHG 2RJ	1SCA022353R3570	

Legend plates for handles

Description	Type	Order number	Package [pcs]
-------------	------	--------------	---------------

Plain plates for OH 1_ and OH 3_ handles.

Black	OPB 1	1SCA022353R3730	1
Yellow	OPY 1	1SCA022353R3810	1
Silver	OPS 1	1SCA022353R4030	1
Grey	OPG 1	1SCA022353R3900	1

Plain plates for OH 2_ handles.

Black	OPB 2	1SCA022353R4110	1
Yellow	OPY 2	1SCA022353R4200	1
Silver	OPS 2	1SCA022353R4460	1
Grey	OPG 2	1SCA022353R4380	1

Printed plates for OH 1_ and OH3_ handles. Text: MAIN SWITCH.

Black	OPB 1EN1	1SCA022487R4180	1
Yellow	OPY 1EN1	1SCA022485R2880	1
Silver	OPS 1EN1	1SCA022500R5110	1
Grey	OPG 1EN1	1SCA022504R1770	1

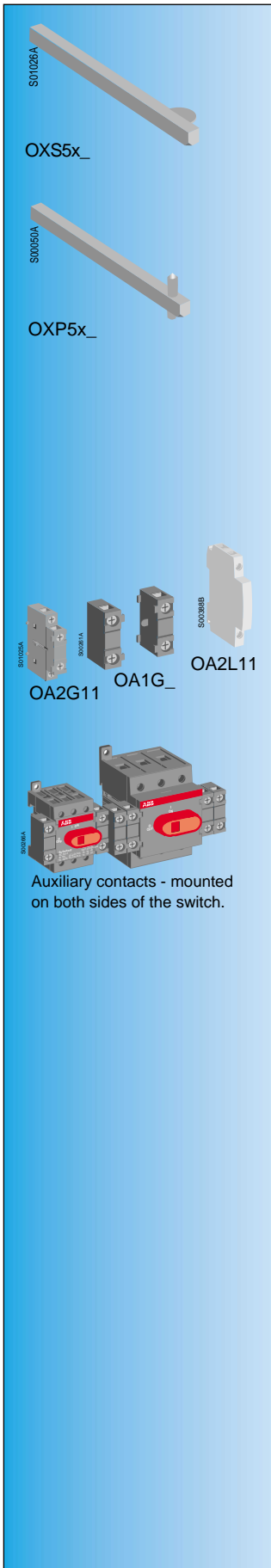
Printed plates for OH 2_ handles. Text: MAIN SWITCH.

Black	OPB 2EN1	1SCA022400R2070	1
Yellow	OPY 2EN1	1SCA022400R2740	1
Silver	OPS 2EN1	1SCA022400R2230	1
Grey	OPG 2EN1	1SCA022400R2310	1

SwitchLine

Ordering Information

OT 16...125E, Accessories



Extended shafts¹⁾

Soft extension sockets, see page 32.

For selector type handles

Shaft length [mm]	Diameter [mm]	Type	Order number	Recomm. order qty
85	5	OXS5x85	1SCA022347R3570	10
105	5	OXS5x105	1SCA022347R3650	10
120	5	OXS5x120	1SCA022347R3730	10
130	5	OXS5x130	1SCA022353R4540	10
160	5	OXS5x160	1SCA022389R0170	10
180	5	OXS5x180	1SCA022353R4620	10
250	5	OXS5x250	1SCA022376R6670	10
330	5	OXS5x330	1SCA022353R4710	10

For pistol type handles

150	5	OXP5x150	1SCA022376R7300	10
170	5	OXP5x170	1SCA022376R7480	10
265	5	OXP5x265	1SCA022376R7560	10
400	5	OXP5x400	1SCA022376R7640	10

Twisted shafts for pistol type handles, the shaft position is rotated 45 degrees.

150	5	OXP5x150-45	1SCA022474R1970	10
170	5	OXP5x170-45	1SCA022474R2270	10
265	5	OXP5x265-45	1SCA022474R2010	10
400	5	OXP5x400-45	1SCA022474R2190	10

Auxiliary contacts

Snap-on mounting to the switch, IP 20. $I_{th} = 16A$, cable cross section max. $2 \times 2.5 \text{ mm}^2$.

Performance data U_e / I_e (AC15): 230V/6A, 400V/4A, 415V/4A, 690V/2A. Early-break types (OA1G10)

Description	Suitable for switches	Type	Order number	Recomm. order qty ⁵⁾ [pcs]	Weight one pc [kg]
1NC ┌ 21(31) └ 22(32)	OT _	OA1G01 ¹⁾³⁾	1SCA022353R4890	10	0.03
		OA1G01AU ¹⁾⁴⁾	1SCA022436R7830	10	0.03
1NO ┌ 13(43) └ 14(44)	OT _	OA1G10 ²⁾³⁾	1SCA022353R4970	10	0.03
		OA1G10AU ²⁾⁴⁾	1SCA022436R7910	10	0.03
1NO +1NC ┌ 13 ┌ 21 └ 14 └ 22	OT_E OT80 ⁶⁾	OA2G11 ³⁾	1SCA022379R8100	10	0.03
		OA2L11 ³⁾	1SCA022424R3190	10	0.04

¹⁾ Mountable on the left side of the switch, max. 2 pcs

²⁾ Mountable on the right side of the switch, max. 2 pcs

³⁾ For base-mounted switches only. Max. 4NO + 4NC.

(83) (43) (53) 13 21 (61) (31) (71)
(84) (44) (54) 14 22 (62) (32) (72)

⁴⁾ Provided with gold plated contacts

⁵⁾ Auxiliary contacts OA1G01 are available in larger packing as well. A bulk package includes 50 switches.

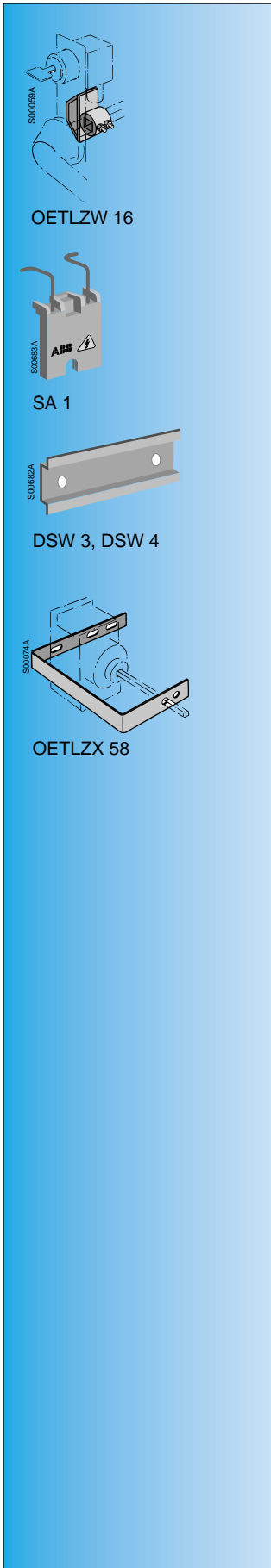
Type number: add a suffix: /B, e.g. OA1G01/B.

⁶⁾ In OT80E4 not mountable on the same side as the fourth pole.

SwitchLine

Ordering Information

OT 16...125E, Accessories



Locking accessories

Cam attachment for Castell, Lowe & Fletcher and Ronis interlock

Cam attachment for adopting the switches to the interlock system. The interlock is not included.

Suitable for switches	Type	Order number	Package [pcs]	Weight [kg]
OT16...125E	OETLZW 16	1SCA022093R2070	1	0.17

Padlocking adapter

For a padlock with a max. 3.5 mm bail.

Suitable for switches	Type	Order number	Package [pcs]	Weight [kg]
OT45...125E	SA 1	1SCA022401R8230	1	0.01

Mounting accessories

Mounting rails

Suitable for switches	Type	Order number	Recomm. order qty [pcs]
OT80E3	DSW 3	1SCA022460R7570	10
OT80E4	DSW 4	1SCA022460R7650	10

Shaft support for long shafts

Suitable for switches	Type	Order number	Package [pcs]
OT16...125E,	OETLZX 58	1SCA022068R8220	1

SwitchLine

Ordering Information

OT 16...125E, Accessories

Terminal shrouds

Snap-on mounting to the switch, transparent.

Suitable for switches	Type	Order number	Recomm. order qty [kg]	Weight one pc [pcs]
For 3-pole switches				
OT 16...32E3, -ET3	OTS 32T3	1SCA022353R6670	10	0.01
OT45...63E3, -ET3	OTS 63T3	1SCA022353R6750	10	0.01
OT 80E3	OTS 80T3	1SCA022424R3430	10	0.01
OT 100...125E3, ET3	OTS 125T3	1SCA022379R9680	10	0.01
OT100...125E3 with terminal clamps OZXL1 or OZXT1	OTS 125T3P	1SCA022491R9890	10	0.01
For fourth and additional pole				
OTP_32E_	OTS 32T1	1SCA022353R6830	10	0.01
OTP_63E_	OTS 63T1	1SCA022353R6910	10	0.01
OTP_80EP_	OTS 80T1	1SCA022424R3510	10	0.01
OTP_125E_	OTS 125T1	1SCA022379R9760	10	0.01
OT100...125E3 with terminal clamps OZXL1/1 or OZXT1	OTS 125T1P	1SCA022491R9970	10	0.01

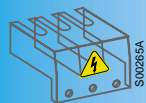
Labelling accessories

Suitable for OT45E, OT63E, OT 80E, OT 100E and OT 125E

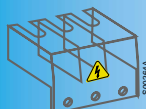
Description	Type	Order number	Package [pcs]
Label carrier, snap-on fixing	ST	1SCA022407R8210	10
Description label, in a sheet 250 labels	ST-E	1SCA022407R8300	1

Terminal clamps

Suitable for switches	Cable cross section [mm ²]	Type	Order number	I _{th} 690V[A]	Package [pcs]	Weight [kg]
Terminal clamp sets for Al- and Cu-cables						
OT45...125	16...50 Al 2.5...50 Cu	OZXT1	1SCA022469R6310	80	3	0.05
OT100...125E	16...120 Al/Cu 2x(6...50) Al/Cu	OZXT2 OZXT3	1SCA022620R7200 1SCA022639R0720	200 200	3 3	0.21 0.21
OT100...125E	10...70Al/Cu 10...70Al/Cu	OZXL1 OZXL 1/1	1SCA022439R6770 1SCA022469R6220		3 1	



OTS32T3



OTS63T3



OTS63T1



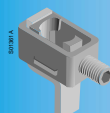
ST



OZXT 1



OZXT2...3

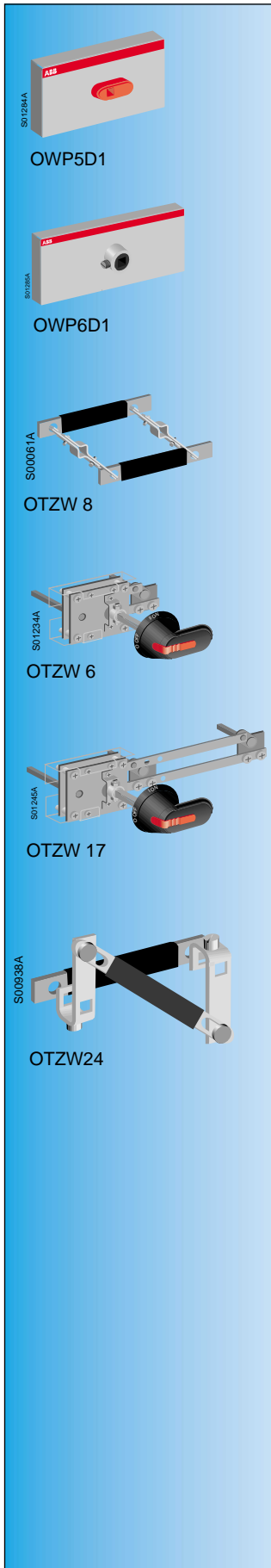


OZXL 1

SwitchLine

Ordering Information

OT 16...125E, Accessories



Conversion kits for the combination switches¹⁾

Parallel attachment kits

For 6 and 8 pole switches

Mounting directly on the top of two switch-disconnectors, snap-on mounting.

Suitable for switches	For shafts	Type	Order number	Package [pcs]	Weight [kg]
OT16...32E	OXS5_, OXP5_	OWP5D1	1SCA022551R1160	1	0.03 ¹⁾
OT16E	OXS5_, OXP5_	OWP5D2	1SCA022573R9340	1	
OT25E	OXS5_, OXP5_	OWP5D3	1SCA022573R9420	1	
OT32E	OXS5_, OXP5_	OWP5D4	1SCA022574R5660	1	
OT45...80E	OXF6_	OWP6D1	1SCA022551R1830	1	0.07 ²⁾
OT100...125E	OXF6_	OWP6D2	1SCA022551R1910	1	0.09

The attachment levers

The attachment levers are provided with holes, enabling different shaft distances. The combination switches can be mounted either horizontally or vertically.

Suitable for switches	Shaft distance [mm]	Type	Order number	Package [pcs]	Weight [kg]
-----------------------	---------------------	------	--------------	---------------	-------------

The attachment levers for 6 and 8-pole switches

Parallel attachment for building 6 and 8-pole switches. Both switches operate simultaneously. Handle OH_65J5 or OH_45J5 and shafts have to be ordered separately.

OT16...32	45+(0...12)x15	OTZW 8	1SCA022421R7600	1	0.17
OT45...80	60+(0...11)x15				
OT100...125E	75+(0...10)x15				

The attachment levers for change-over switch

Handle 80J6E011 (IP 65, indication I-O-II) and shafts included.

OT 16...125E	90+(0...10)x15	OTZW 6	1SCA022387R1890	1	0.85
--------------	----------------	--------	-----------------	---	------

The attachment levers for by-pass switch

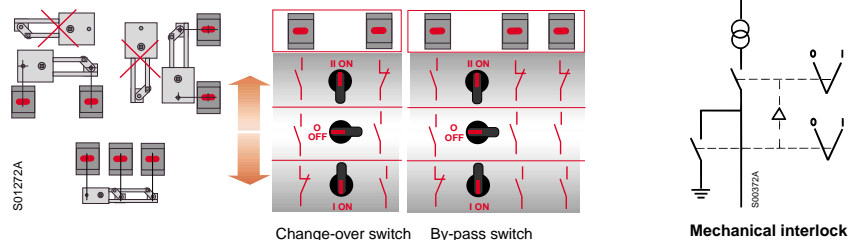
A combination of two switches in parallel with one change-over switch for maintenance by-passing for ex. a breaker for maintenance. In the kit handle OHB80J6E011 with I-O-II -indication the shafts are included.

OT 16...125E	betw. A and B 90+(0...6)x15 betw. A and C 90+(0...10)x15	OTZW 17	1SCA022387R1620	1	0.88
--------------	---	---------	-----------------	---	------

The attachment levers for mechanical interlock

Prevents one switch from closing to ON-position, if the other is not in OFF-position. When mounted upside down, prevents one switch from opening to OFF-position, if the other is not in ON-position.

Shaft distance [mm]	Type	Order number	Package [pcs]	Weight [kg]
100	OTZW24	1SCA022639R5610	1	0.08



¹⁾ Dimension drawings on pages 68...69





SwitchLine Switch-Disconnectors / Load Break Switches OT 125A and 160



Contents:

Switch-Disconnectors/Load Break Switches OT16...125E	13
Technical data for OT 125A and 160 acc. to IEC 60947	28
Selection table for OT 125 A and 160	29
Ordering information OT 125A and 160	30 - 33
Switch-Disconnectors	
• Front operated switch-disconnectors	30
• Door mounted switch-disconnectors	30
• Non-fusible disconnect switches for North-American market	30
Accessories	
• Auxiliary contact blocks and accessories	31
• Optional plastic handles	31
• Padlocking adapter	31
• Locking accessories	31
• Terminal shroud	31
• Extended shafts	32
• Shaft extension socket	32
• Conversion kits for the combination switches	32
• Fourth pole	33
• PE and N -clamps	33
• Busbar connections	33
• Terminal clamps	33
Switch-Disconnectors/Load Break Switches OETL200...3150	35
Dimension Drawings	58
Contact functions	70

SwitchLine

Technical Data

Switch-Disconnectors OT 125A and 160

TECHNICAL DATA ACCORDING TO IEC 60947

All rights for alterations are held without prior notice.

		Size	A	125	160
		Switch type		OT125A	OT160E
Rated insulation voltage and rated operational voltage AC20/DC20	Pollution degree 3		V	750	750
Dielectric strength		50 Hz 1min.	kV	10	10
Rated impulse withstand voltage			kV	12	12
Rated thermal current and rated operational current AC20/DC20 / ambient 40°C		In open air	A	135	200
		In enclosure	A	135	160
		In enclosure	A	110	125
..with minimum conductor cross section		Cu	mm ²	50	70
Rated operational current, AC-21A		up to 415 V	A	125	200 ¹⁾
		440 - 690 V	A	125	160
Rated operational current, AC-22A		up to 415 V	A	125	200 ¹⁾
		440 - 690 V	A	125	160
Rated operational current, AC-23A		up to 415 V	A	105	135
		440 V	A	90	125
		500 V	A	70	125
		690 V	A	50	80
Rated operational current / poles in series, DC-21A		up to 48 V	A	125/1	160/1
		110 V	A	125/1	160/1
		220 V	A	125/2	160/2
		440 V	A	125/3	160/3
		500 V	A	125/3	125/3
		750 V	A	125/4	160/4
Rated operational current / poles in series, DC-22A		up to 48 V	A	125/1	160/1
		110 V	A	125/1	160/1
		220 V	A	125/2	160/2
		440 V	A	125/3	160/3
Rated operational current / poles in series, DC-23A		up to 48 V	A	125/1	160/1
		110 V	A	125/1	160/1
		220 V	A	125/2	160/2
		440 V	A	125/3	160/3
Rated operational power, AC-23A	The kW-ratings are accurate for 3-phase 1500 R.P.M. standard asynchronous motors.	220-240 V	kW	30	45
		400-690 V	kW	55	75
Rated breaking capacity, AC-23A		up to 415 V	A	840	1080
		440 V	A	720	1000
		500 V	A	560	1000
		690 V	A	400	640
Rated breaking capacity/poles in series, DC-23		up to 48 V	A	500/1	640/1
		110 V	A	500/1	640/1
		220 V	A	500/2	640/2
		440 V	A	500/3	640/3
Rated conditional short-circuit current r.m.s. and corresponding cut-off current of the fuse in single-phase test according IEC269	IEC269 OFAA/OFAM-fuse size	50 kA, 415/500 V	kA	25	25
				200/200	200/200
	IEC269 OFAA/OFAM-fuse size	50 kA, 690 V	kA	25	25
				200/200	200/250
	IEC269 OFAA/OFAM-fuse size	100 kA, 690V/500V	kA	30	30
				200/200	200/250
Rated short-time withstand current	R.M.S. -value I_{cw}	690V 0,25s	kA	7	7
		690V 1s	kA	4	4
Rated short circuit making capacity	Peak value I_{cm}	690V/500V V	kA	12	12
Power loss / pole	At rated operational current		W	4,7	6,5
Mechanical endurance	Divide by two for operation cycles		Oper.	20 000	20 000
Weight without accessories	3-pole		kg	1,1	1,1
	4-pole		kg	1,3	1,3
Cable size	Cu-wire size suitable for terminal clamps		mm ²	10-70	10-70
Terminal tightening torque	Counter torque required		Nm	6	6
Operating torque	3-pole switch-disconnector		Nm	6	6

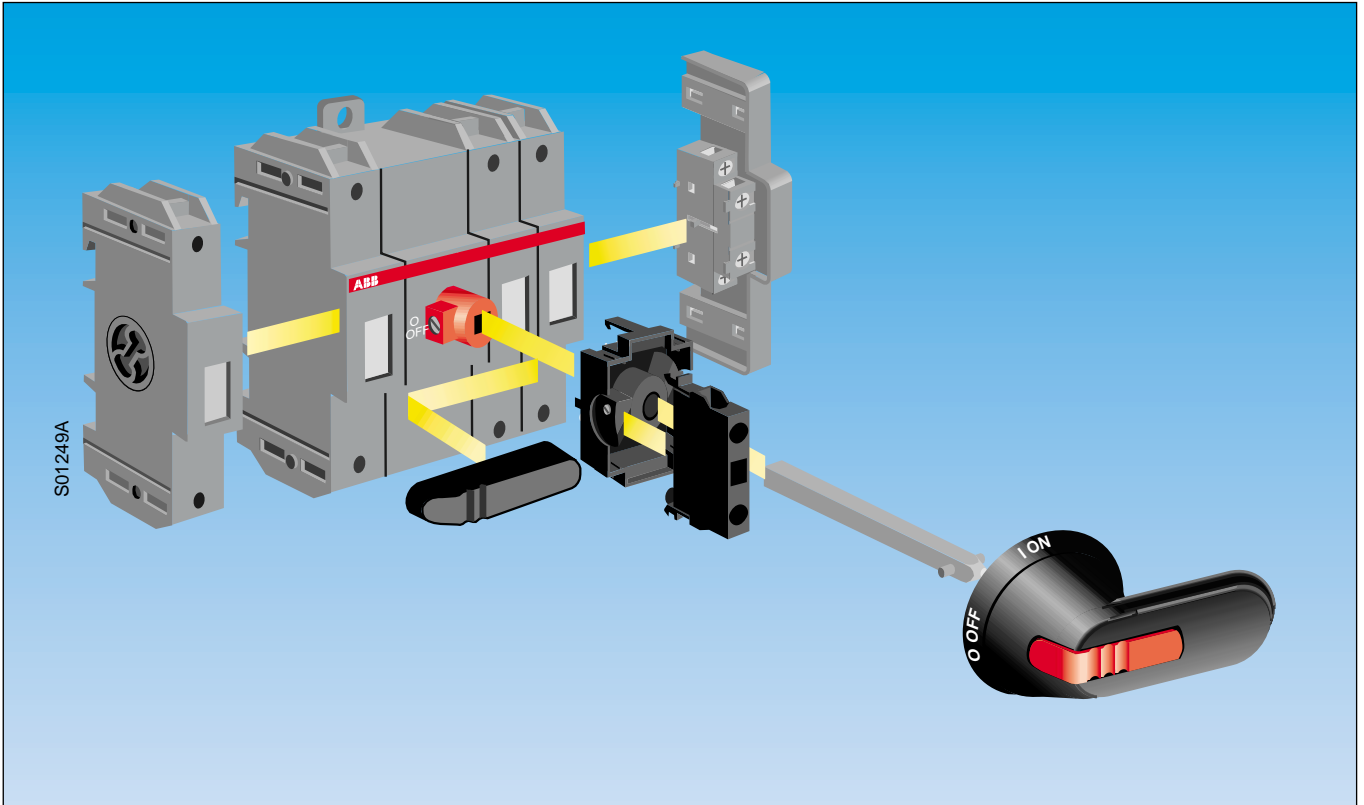
Technical data OT16...125E, see pages 14-15



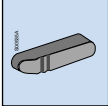

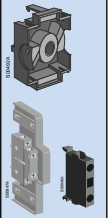
Technical data OETL200...3150, see pages 36-37

¹⁾ 200A/min. 95 mm², use busbar connections OEZX6/13 or OZXT2

SwitchLine

Selection table, switch-disconnectors
OT 125A and 160

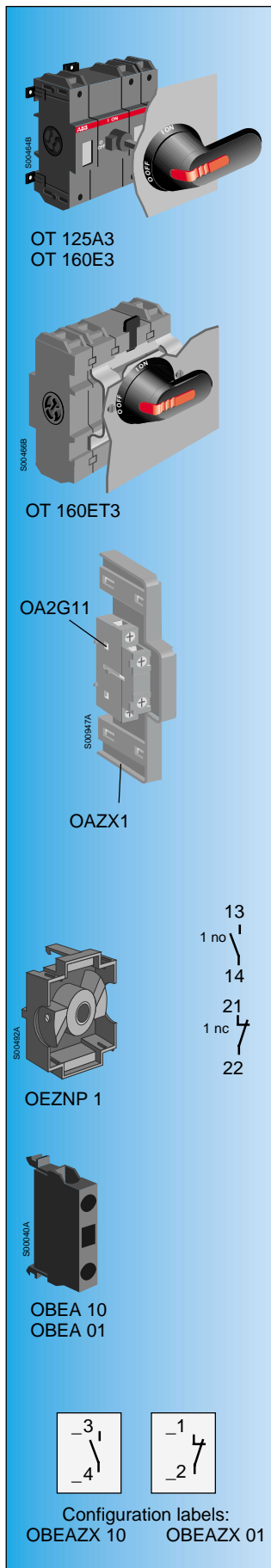


Size	125	160
SwitchLine types	OT 125 A_	OT 160 E_
- Front operated		
- Door mounted	-	OT160 ET_
4 th pole	 OTP_160 EP	
Handles	 OH_65J6 OH_80J6 Black, red/yellow: I-O, ON-OFF, Grey: I-O	
	 YAST 1 Black	
Shafts	 OXP6X_ Shaft lengths from 130 mm up to 430 mm	
Auxiliary contacts	 OBEA_ + OEXNP1 1 NO, 1 NC OA2G11 + OAZX1 1 NO + 1 NC	

SwitchLine

Ordering Information

Switch-disconnectors, OT 125A and 160, Accessories



Front operated switch-disconnectors

Including the handle OHB65J6, IP 65, and shaft OXP6x210, length 210 mm.

Number poles	I_{th} of [A]	Rated operat. (open) currents AC22A/AC23A 400V [A/A]	Type	Order number	Weight	Package
					[kg]	[pcs]
3	135	125/105	OT 125A3	1SCA022275R2750	1.0	1
4	135		OT 125A4	1SCA022275R2910	1.3	1
3	135		OT 125A3-2 ⁵⁾	1SCA022317R3850	1.0	1
3	200	200 ¹⁾ /135	OT 160E3	1SCA022257R5950	1.0	1
4	200		OT 160E4	1SCA022259R8060	1.3	1
3	200		OT 160E3-2 ⁵⁾	1SCA022297R4060	1.0	1

Door mounted switch-disconnectors

For mounting into the door or side wall. Includes handle OHB65J6, IP 65, and shaft OXP6x130, length 130 mm. Twisted shafts are shown on page 32.

Number poles	I_{th} of [A]	Rated operat. (open) currents AC22A/AC23A 400V [A/A]	Type	Order number	Weight	Package
					[kg]	[pcs]
3	200	200 ¹⁾ /135	OT 160ET3	1SCA022350R1960	1.0	1
4	200		OT 160ET4	1SCA022460R6920	1.3	1

Non-fusible disconnect switches for North-American market

Including handle: OHB65J6, NEMA 1, 3R, 12, IP65, shaft: OXP6x210 and terminal bolt sets

Ampere rating [A]	Horsepower rating 3-phase [HP]					Type	Order number	Weight	Package
	200V	208V	240V	480V	600V			[kg]	[pcs]
125	25	25	30	60	75	OT 160E3	1SCA022257R5950	1.0	1
						OT 160E4	1SCA022259R8060	1.3	1

Auxiliary contact blocks and accessories

Adapter for auxiliary contact blocks OA2G11

Aux. contact blocks, OA2G11 have to be ordered separately, see auxiliary contacts for OT16...125 switches. Mountable on the side of the switch.

Suitable for switches	Type	Order number	Package [pcs]
OT 125A, OT 160E, OT 160ET	OAZX1	1SCA022467R5140	1

Auxiliary contact blocks

Mountable on top of the switch. Wire cross section 0.5 mm²...2 x 2.5 mm². Insulation voltage U_i 690 V. Thermal current I_{th} = 10 A. Mounting on the adapter OEZNP1 (has to be ordered separately, see below), max. 6 aux. blocks. Early break type.

Performance data³⁾ U_e / I_e (AC12): 120V/8A, 240V/6A, 400V/4A, 415V/4A, 480V/3A, 500V/3A, 690V/2A, Performance data³⁾ U_e / I_e (DC12): 125V/1.1A, 250V/0.55A, 440V/0.31A, 500V/0.27A, 600V/0.2A

Function	Protection degree	Type ²⁾	Order number	Recomm. order qty [pcs]
1 NO	IP 20	OBEA 10	1SCA022190R3000	10
1 NO	IP 20	OBEA 10AU ⁴⁾	1SCA022185R3310	10
1 NC	IP 20	OBEA 01	1SCA022190R3260	10
1 NC	IP 20	OBEA 01AU ⁴⁾	1SCA022185R3730	10

Adapter for auxiliary contact blocks OBEA__

Mountable on top of the switch.

Suitable for switches	Number of poles	Type	Order number	Package [pcs]
OT125A, OT160E	3 and 4	OEZNP 1	1SCA022259R7410	1

Numbering stickers for auxiliary contact blocks

Required if several blocks are used. Fill numbers by pen or typewrite.

OBEA 10, 1 NO	OBEAZX 10	1SCA022264R9910	10
OBEA 01, 1 NC	OBEAZX 01	1SCA022276R2470	10

¹⁾ 200A/min. 95 mm², use busbar connections OEZXX6/13 or OZXT2

²⁾ Contact numbering according to EN 50013.

³⁾ According to IEC 60947-5-1.

⁴⁾ Types _AU are gold plated for extremely difficult

circumstances, and low voltages.

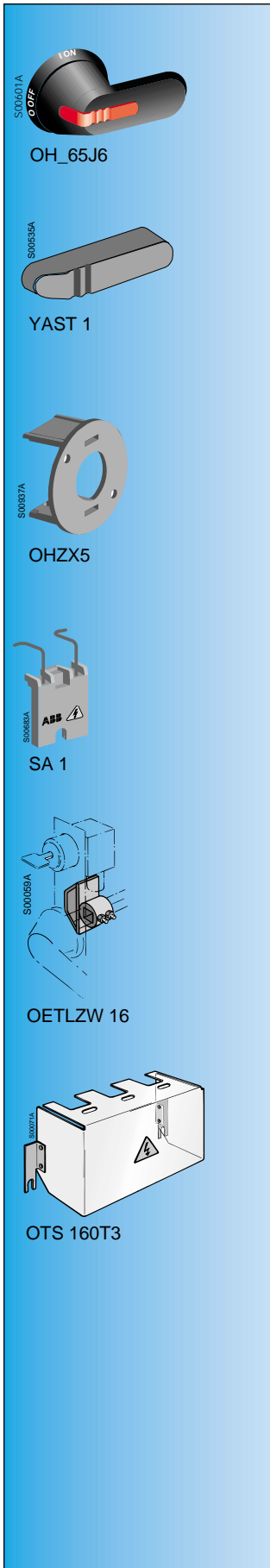
⁵⁾ Handle and shaft have to be ordered separately

Approvals for North-American types: - OT160 UL98, CSA 22-2 #4 - IEC 60947-3

SwitchLine

Ordering Information

OT 125A and 160, Accessories



Optional plastic handles ²⁾

OH_ handles: IP 65, NEMA 1,3R, 12, padlockable with three padlocks in OFF-position, door interlock in ON-position (defeatable¹⁾ to allow authorized personnel access for inspection). The shaft has to be ordered separately. Screw fixing from back side of the handle. No screws on the front ensures double insulation.

Colour	Handle length [mm]	Shaft diamet. [mm]	Suitable for switches	Type	Order number	Recomm. order qty	Pack- age [pcs]
--------	--------------------	--------------------	-----------------------	------	--------------	-------------------	-----------------

Handles for front operated switches

Indication: in types OHB_ and OHY_: I-O/ON-OFF, in types OHG_: I-O.

Black	65	6		OHB 65J6	1SCA022380R9660	100	1
Yel.-red	65	6	OT 125A,	OHY 65J6	1SCA022380R9820		1
Grey	65	6	OT 160E, ET	OHG 65J6	1SCA022380R9740		1
Black	80	6		OHB 80J6	1SCA022381R0240	100	1
Yel.-red	80	6		OHY 80J6	1SCA022381R0410		1
Grey	80	6		OHG 80J6	1SCA022381R0320		1

Handles, mounting directly to the switch, no shaft needed.

Black	72	-	OT 125A_, 160E_	YAST 1	1SCA022301R5350	100	1
-------	----	---	--------------------	--------	-----------------	-----	---

Also other handles for shaft diameter 6 mm can be used with OT 125A and 160_. OH_ handles padlockable in all positions available on request.

Handle support for direct mounting on the switch mechanism for OH_ 65, 80 handles

Colour	Height from the bottom of the switch	Type	Order number	Recomm. order qty	Pack- age [pcs]
Black	83 mm	OHZX5	1SCA22467R5060	10	1

Padlocking adapter

For a padlock with max. 3.5 mm bail. Padlockable in OFF-position.

Suitable for switches	Type	Order number	Package [pcs]
OT 125A, 160E	SA 1	1SCA02240R8230	1

Locking accessories

Cam attachment for Castell, Lowe & Fletcher and Ronis interlock
Cam attachment for adopting the switches to the interlock system. The interlock is not included.

Suitable for switches	Type	Order number	Package [pcs]
OT125A, 160E	OETLZW 16	1SCA022093R2070	1

Terminal shroud

Suitable for switches	Type	Order number	Package [pcs]
OT125A3...160E3	OTS160T3	1SCA022495R4610	1
OT125A4...160E4	OTS160T4	1SCA022495R4700	1

¹⁾ Door interlock bracket, see page 47

²⁾ See dimension drawings on page 66.

SwitchLine

Ordering Information

OT 125A and 160, Accessories

Extended shafts

Shaft diameter 6 mm. Suitable for handles OH__J6_.

Shaft length [mm]	H	Type	Order number	Package [pcs]
130	105 ... 135	OSP6x130	1SCA022057R0570	1
150	125 ... 155	OSP6x150	1SCA022295R5600	1
210	185 ... 215	OSP6x210	1SCA022295R6080	1
290	265 ... 295	OSP6x290	1SCA022042R6370	1
360	335 ... 365	OSP6x360	1SCA022042R6530	1
430	405 ... 435	OSP6x430	1SCA022056R6030	1

Twisted shafts

Shaft diameter 6 mm. The shaft position is rotated 45 degrees.

130	105 ... 135	OSP6x130-45	1SCA022355R9110	1
150	125 ... 155	OSP6x150-45	1SCA022294R4400	1
210	185 ... 215	OSP6x210-45	1SCA022294R4230	1
290	265 ... 295	OSP6x290-45	1SCA022304R4290	1
360	335 ... 365	OSP6x360-45	1SCA022341R4640	1

Shaft extension socket

For extending the shaft of combination attachment.

Suitable for shaft with diameter [mm]	Type	Order number	Package [pcs]
5...6	OESA ZX 167	1SCA022190R1560	1
12	OETLZX95	1SCA022083R5620	1

Adapter for extension socket

The adapter can be placed inside the extension socket OETL ZX 95.

5...6	OETL ZK 19	1SCA022093R1850	1
-------	------------	-----------------	---

Conversion kits for the combination switches

The attachment levers are provided with holes, enabling different shaft distances. The combination kits can be mounted either horizontally or vertically. See dimension drawings page 68.

Shaft distance [mm]	Type	Order number	Package [pcs]
---------------------	------	--------------	---------------

6- and 8 -pole switches

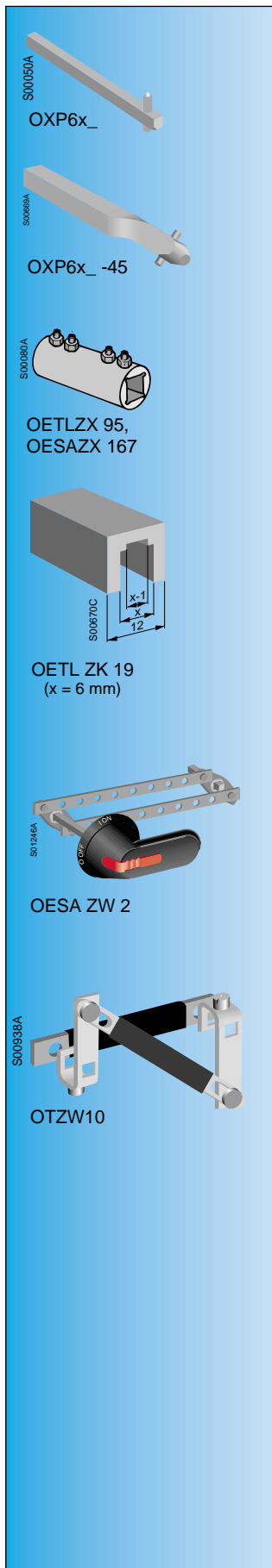
Including handle OHB145J12 with I-O, ON-OFF -indication and 2 shafts

45 + (0...11)x15	OESA ZW 2	1SCA022078R1600	1
------------------	-----------	-----------------	---

Mechanical interlock

Prevents one switch from closing to ON-position if the other is not in OFF-position. Suitable for switches OT125A3,4, OT160E3,4. See dimension drawings. When mounted upside down, prevents one switch from opening to OFF-position, if the other is not in ON-position.

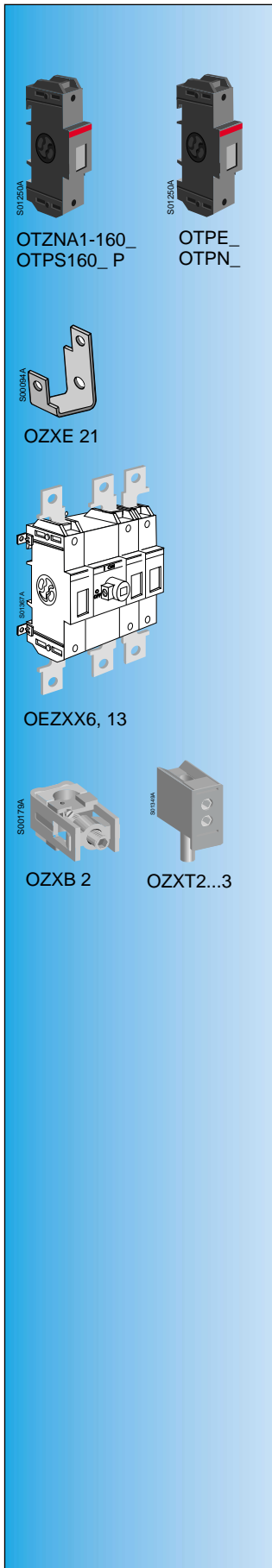
Shaft distance [mm]	Type	Order number	Package [pcs]
190	OTZW10	1SCA022431R5280	1



SwitchLine

Ordering Information

OT 125A and 160, Accessories



Fourth pole

Remark	Type	Order number	Weight [kg]	Package [pcs]
Suitable for front operated and door mounted OT 125A_ and 160_ switches. Mountable on side of the 3-pole switches, OT 125A3 and OT 160E3, IP20				
	OTZNA 1-160E4	1SCA022271R8310	0.3	5
	OTPS 160EP	1SCA022325R7360	0.3	1

PE and N -clamps

Suitable for front operated and door mounted OT 125A_ and 160_ switches.				
Protected earth	OTPE 160EP	1SCA022345R0010	0.3	1
Neutral	OTPN 160EP	1SCA022344R9510	0.3	1

Busbar connections

Terminal clamps for Cu- and Al-cables have to be ordered separately.

Suitable for switches	Suitable for clamps	Type	Order number	Package [pcs]
Busbars for parallel connection ¹⁾				
OT 160	2 x OZXB 2_	OZXE 21	1SCA022161R8810	3
Busbar spreader kit				
OT 125A...160E	OZXB 2	OEZXX 6	1SCA022292R6330	3
OT 125A...160E	OZXB 2	OEZXX 13	1SCA022299R9720	4

Terminal clamps

Terminal clamp sets for Al- and Cu-cables

Suitable for switches	Cable cross section [mm ²]	Type	Order number	Package [pcs]
OT 160	25...120 Al/Cu	OZXB 2 ¹⁾	1SCA022119R7610	3
OT125A...160E	16...120 Al/Cu 2x(6...50) Al/Cu	OZXT2	1SCA022620R7200	3
		OZXT3	1SCA022639R0720	3

¹⁾ OT 160 has to be provided with OEZXX 6 or 13.





SwitchLine

Switch-Disconnectors / Load Break Switches OETL 200...3150

Contents:

Switch Disconnectors/Load Break Switches OT16...125E	13
Switch Disconnectors/Load Break Switches OT125A...160	27
Technical data for OETL 200...3150 acc. to IEC 60947	36 - 37
Selection table for OETL 200...3150	38 - 39
Ordering information OETL 200...3150	40 - 50
Load-Break Switches	
• Rotary type switches, 200...1600 A, 3 and 4 -pole	40
• Rotary type switches, 2500...3150 A, 3 and 4 -pole	41
• Side operated switches, 200...800 A, 3 and 4 -pole	41
• Earthing switch, 1250 A	41
• Non-fusible disconnect switches for North-American market	
OETL-NF175...2000	42
Accessories	
• Optional handles, front operated	43
• Optional handles, side operated	43
• Optional handles with I-O-II -indication	44
• Extended shafts	44
• Auxiliary contact sets	45
• Terminal shrouds	45
• Phase barriers for OETL 200...315	45
• Mounting accessories	46
• Neutral links	46
• Terminal clamps	46
• Busbar connections	47
• Locking accessories	47
• Door interlock bracket	47
• Conversion kits for the combination switches	48
• Shaft extension socket	48
• Motor operator	49
• Electrical interlock	50
Dimension drawings	59 - 69
Contact functions	71



SwitchLine

Technical Data

Switch-Disconnectors/Load Break Switches OETL

TECHNICAL DATA ACCORDING TO IEC 60947

All rights for alterations are held without prior notice.

		Size	A	200	250	315	400	630	800
		Switch type		OETL200	OETL250	OETL315	OETL400	OETL630	OETL800
Rated insulation voltage and rated operational voltage AC20/DC20	Pollution degree 3		V	1000	1000	1000	1000	1000	1000
Dielectric strength		50 Hz 1min.	kV	10	10	10	10	10	10
Rated impulse withstand voltage			kV	12	12	12	12	12	12
Rated thermal current and rated operational current AC20/DC20 / ambient 40°C		In open air	A	250	315	350	500	630	800
		In enclosure	A	200	270	315	500	630	720
		In enclosure	A	175	220	260	410	500	600
..with minimum conductor cross section		Cu	mm ²	95	120	185	2x150	2x185	2x240
Rated operational current, AC-21A		up to 415 V	A	200	250	315	500	630	800
		440 - 690 V	A	200	250	315	500	630	800
		1000 V	A	200	250	315	400	630	630
Rated operational current, AC-22A		up to 415 V	A	200	250	315	500	630	800
		440 - 500 V	A	200	250	315	500	630	800
		690 V	A	200	250	315	500	630	800
		1000 V	A	200	200	250	250	400	400
Rated operational current, AC-23A		up to 415 V	A	200	250	315	500	630	720
		440 V	A	200	250	315	500	590	670
		500 V	A	200	250	315	500	580	600
		690 V	A	200	250	315	350	350	350
		1000 V	A	125	125	125	125	200	200
Rated operational current / poles in series, DC-21A		up to 48 V	A	200/2	250/2	315/2	400/1	630/1	800/1
		110 V	A	200/2	250/2	315/2	400/2	630/2	800/2
		220 V	A	200/2	250/2	315/2	400/2	630/2	800/2
		440 V	A	200/3	250/3	315/3	400/3	630/3	800/3
		750 V	A	200/4	250/4	315/4			
Rated operational current / poles in series, DC-22A		up to 48 V	A	200/2	250/2	315/2	400/1	630/1	800/1
		110 V	A	200/2	250/2	315/2	400/2	630/2	800/2
		220 V	A	200/2	250/2	315/2	400/2	630/2	800/2
		440 V	A	200/3	250/3	315/3	400/3	630/3	800/3
		750 V	A	200/4	250/4	315/4			
Rated operational current / poles in series, DC-23A		up to 48 V	A	200/2	250/2	315/2	400/1	630/1	800/1
		110 V	A	200/2	250/2	315/2	400/2	630/2	800/2
		220 V	A	200/2	250/2	315/2	400/2	630/2	630/2
		440 V	A	200/3	250/3	315/3	400/3	400/3	400/3
		750 V	A	200/4	250/4	315/4			
Rated operational power, AC-23A	The kW-ratings are accurate for 3-phase 1500 R.P.M. standard asynchronous motors.	220-240 V	kW	55	75	90	132	180	200
		400-415 V	kW	110	132	160	200	315	355
		440 V	kW	110	132	160	315	355	355
		500 V	kW	132	160	200	315	355	400
		690 V	kW	170	200	250	315	355	355
Rated breaking capacity, AC-23A		up to 415 V	A	1600	2000	2520	4000	5040	5760
		440 V	A	1600	2000	2520	4000	4720	5360
		500 V	A	1600	2000	2520	4000	4640	4800
		690 V	A	1600	2000	2520	2800	2800	2800
Rated breaking capacity/poles in series, DC-23		up to 48 V	A	800/2	1000/2	1260/2			
		110 V	A	800/2	1000/2	1260/2			
		220 V	A	800/2	1000/2	1260/2			
		440 V	A	800/3	1000/3	1260/3			
		750 V	A	800/4	1000/4	1260/4			
Rated conditional short-circuit current r.m.s.		690V/500V	kA						
Rated conditional short-circuit current r.m.s. and corresponding cut-off current of the fuse in single-phase test according IEC269		50 kA	kA	35	35	35	43	63	63
		415 V							
		50 kA		35	35	35	43	63	63
		500V							
		50 kA	kA	35	35	35	43	63	63
		690 V							
		100 kA	kA	45	45	45	53	70	70
	IEC269 OFAA/OFAM-fuse size	500 V		400	400	400	500	800 ¹⁾	800 ¹⁾
Rated short-time withstand current	R.M.S. -value I_{cw}	690V 0,2s	kA	17,5	17,5	17,5		38	38
		690V 0,25s	kA				31		
		690V 1s	kA	8	8	8	17	17	17
Rated short circuit making capacity	Peak value I_{cm}	690V/500 V	kA	35	35	35	65	80	80
Rated capacitor power	The capacitor ratings are limited by the fuse link.	400 V	kVAr	90	110	140	250	300	330
		415 V	kVAr	90	110	140	250	300	330
Power loss / pole	At rated operational current		W	3,5	5,5	8,5	13	22	40
Mechanical endurance	Divide by two for operation cycles		Oper.	16 000	16 000	16 000	10 000	10 000	10 000
Weight without accessories	3-pole		kg	3	3	3	5,2	6,2	6,2
	4-pole		kg	3,7	3,7	3,7	6,4	7,6	7,6
Cable size	Cu-wire size suitable for terminal clamps		AWG	18-8	18-8	8-00			
Terminal bolt size	Metric thread diameter x length		mm	8x25	10x30	10x30	10x40	12x40	12x40
Terminal tightening torque	Counter torque required		Nm	30..44	30..44	30..44	30..44	50..75	50..75
Operating torque	3-pole switch-disconnector		Nm	8,2	8,2	8,2	17	21	21

¹⁾ Fuse size 4

²⁾ IEC 947-3, utilization category B, infrequent operation

SwitchLine

Technical Data

Switch-Disconnectors / Load Break Switches OETL

1000	1250	1600	2500	3150
OETL1000	OETL1250	OETL1600	OETL2500	OETL3150
1000	1000	1000	1000	1000
8	8	8	8	8
8	8	8	8	8
1000	1250	1600	2500	3150
1000	1250	1600	2300	2600
900	1000	1250	1950	2300
2x(60x5)	2x(80x5)	2x(100x5)	4x(100x5)	3x(100x10)
1000	1250	1600	2500 ²⁾	3150 ²⁾
1000	1250	1600	2500 ²⁾	3150 ²⁾
1000				
1000	1250	1600	1600 ²⁾	1600 ²⁾
1000	1250	1600	1600 ²⁾	1600 ²⁾
			1600 ²⁾	1600 ²⁾
800	800	800	800 ²⁾	800 ²⁾
800	800	800	800 ²⁾	800 ²⁾
800	800	800	800 ²⁾	800 ²⁾
1000/1	1250/1	1600/1		
1000/2	1250/2	1600/2		
1000/3	1250/3	1600/3		

250	250	250	250	250
400	400	400	400	400
400	400	400	400	400
450	450	450	450	450
6400	6400	6400	6400	6400
6400	6400	6400	6400	6400
6400	6400	6400	6400	6400
2500 ³⁾	2500 ³⁾	2500 ³⁾	4800 ⁴⁾	4800 ⁴⁾

50	50	50	50/63	50/63
----	----	----	-------	-------

50 ⁵⁾	50 ⁵⁾	50 ⁵⁾	80 ⁵⁾	80 ⁵⁾
105	105	105	105/140	105/140

27	40	67	90	140
6 000	6 000	6 000	1 200	1 200
16,3	16,3	17,5	37	37
20,5	20,5	22,5	47	47

12x60	12x60	12x60	12x60	12x60
50..75	50..75	50..75	50..75	50..75
21	21	21	50	50



OT16...125E, Technical data, see pages 14-15



OT 125A...160, Technical data, see page 28



OETL 200...3150

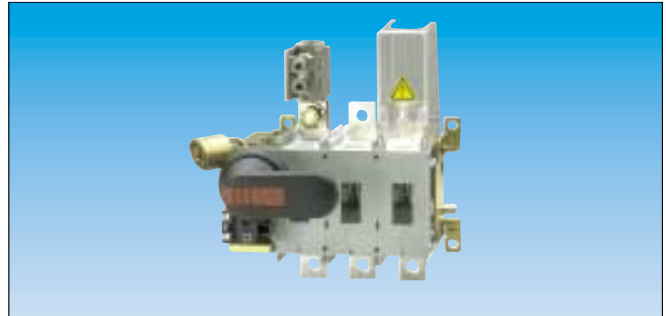
³⁾ Pf. 0,95

⁵⁾ Maximum distance between busbar support and switch terminal 70 mm.

⁴⁾ Pf. 0,65

SwitchLine

Selection table
OETL 200...3150



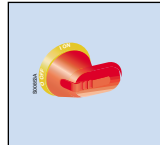
Size

200 250 315

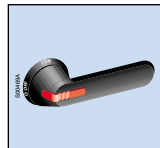
SwitchLine types

OETL 200_ OETL 250_ OETL 315_

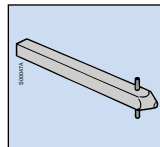
Handles



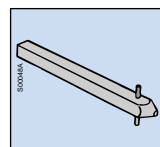
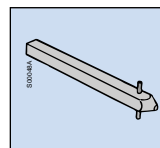
OH_65 J8 Black, red-yellow:
I-O, ON-OFF
OH_80 J8 Grey: I-O



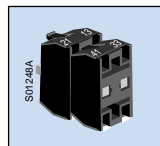
Shafts



OXP8X_ Shaft lengths from
140 mm up to 500 mm

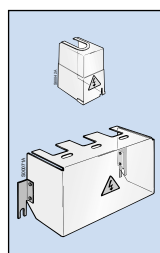


Auxiliary contacts



OZXK_ 1 NO + 1 NC, 2 NO + 2 NC,
4 NO + 4 NC, 2 NO, 4 NO, 8 NO

Terminal shrouds

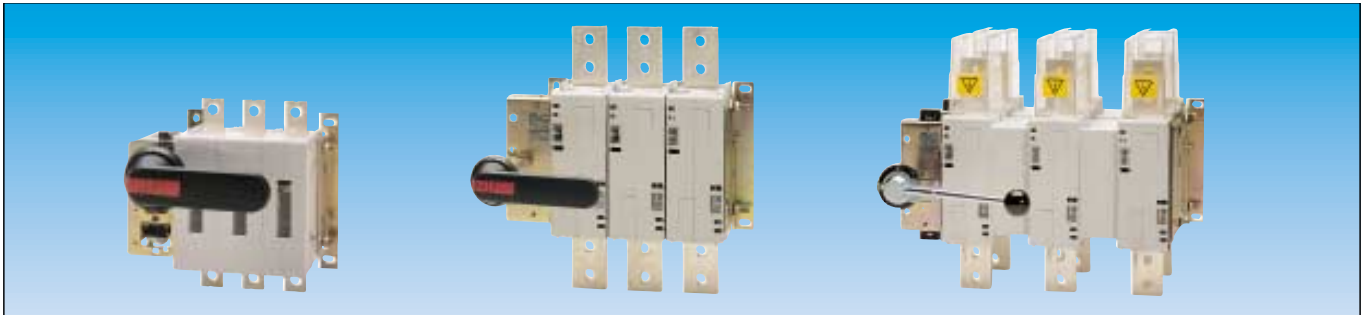


OETLZX 128
-for one pole

SwitchLine

Selection table

OETL 200...3150



400	630	800	1000	1250	1600	2500	3150
-----	-----	-----	------	------	------	------	------

OETL 400_	OETL 630_	OETL 800_	OETL 1000_	OETL 1250_	OETL 1600_	OETL 2500_	OETL 3150_
-----------	-----------	-----------	------------	------------	------------	------------	------------

OH_125J12 OH_145 J12 OH_175 J12	Black, red-yellow: I-O, ON-OFF Grey: I-O						
---------------------------------------	---	--	--	--	--	--	--

OH_275 J12	Black, red-yellow: I-O, ON-OFF Grey: I-O						
------------	---	--	--	--	--	--	--

OXP12X166 Shaft length 166 mm							
-------------------------------	--	--	--	--	--	--	--

OXP12X_ Shaft lengths from 185 mm up to 280 mm							
--	--	--	--	--	--	--	--

OXP12X_ Shaft lengths from 325 mm up to 535 mm							
--	--	--	--	--	--	--	--

OZXK_ 1 NO + 1 NC, 2 NO + 2 NC, 4 NO + 4 NC, 8 NO + 8 NC, 2 NO, 4 NO, 8 NO, 16 NO							
--	--	--	--	--	--	--	--

OETLZX31 -for 3-pole	OETLZX93 -for 3-pole	OETLZX111 -for 3-pole	OESAZX102 -for one pole				
-------------------------	-------------------------	--------------------------	----------------------------	--	--	--	--

SwitchLine

Ordering Information

OETL 200...3150

Rotary type load break switches, 200 ... 1600 A, 3 and 4 -pole

Including handle, shaft and terminal bolt kit, see next page*).

Number of poles	I _{th} (open) [A]	Rated oper. currents AC21/AC23 [A/A] 400V	Type	Order number	Package [pcs]	Weight [kg]
OETL 200...315						
Black IP65 handle OHB80J8 with I-O, ON-OFF -indication and shaft OXP8x140, length 140 mm.						
3	250	200/200	OETL 200K3	1SCA022125R1920	1	3.0
4			OETL 200K4	1SCA022144R5610		3.7
3			OETL 200K3-2 ³⁾	1SCA022157R0010		2.9
3			OETL 200K3-H20 ¹⁾	1SCA022160R0870		3.0
3	315	250/250	OETL 200KV 12	1SCA022194R9920	1	3.0
4			OETL 200KV 22	1SCA022269R9330		3.7
3			OETL 250K3	1SCA022126R6280		3.0
4			OETL 250K4	1SCA022144R5880		3.7
3	350	315/315	OETL 250K3-2 ³⁾	1SCA022157R0860	1	2.9
3			OETL 250K3-H20 ¹⁾	1SCA022160R1090		3.0
3			OETL 250KV 12	1SCA022194R9250		3.0
4			OETL 250KV 22	1SCA022268R1210		3.7
3	500	500/500	OETL 315K3	1SCA022144R7740	1	3.0
4			OETL 315K4	1SCA022144R7910		3.7
3			OETL 315K3-2 ³⁾	1SCA022157R1080		2.9
3			OETL 315K3-H25 ¹⁾	1SCA022160R1250		3.0
3	630	630/630	OETL 315KV 12	1SCA022194R9410	1	3.0
4			OETL 315KV 22	1SCA022268R2010		3.7
3			OETL 400D1	1SCA022058R0020		5.2
4			OETL 400D4	1SCA022058R0110		6.4
3	800	800/720	OETL 400D1-2 ³⁾	1SCA022157R1410	1	5.1
3			OETL 400D1-H20 ¹⁾	1SCA022160R1410		5.2
3			OETL 400KV 12	1SCA022180R6310		5.2
4			OETL 400KV 22	1SCA022193R7240		6.4
3	1000	1000/800	OETL 630K3	1SCA022078R8950	1	6.2
4			OETL 630K4	1SCA022078R9170		7.6
3			OETL 630K3-2 ³⁾	1SCA022157R1830		6.1
3			OETL 630K3-H20 ¹⁾	1SCA022160R1840		6.2
3	1250	1250/800	OETL 630KV 12	1SCA022172R4680	1	6.2
4			OETL 630KV 22	1SCA022180R7110		7.6
3			OETL 800K3	1SCA022098R0980		6.2
4			OETL 800K4	1SCA022098R1100		7.6
3	1600	1600/800	OETL 800K3-2 ³⁾	1SCA022157R2480	1	6.1
3			OETL 800K3-H20 ¹⁾	1SCA022161R4070		5.2
3			OETL 800KV 12	1SCA022172R4840		5.2
4			OETL 800KV 22	1SCA022180R6900		6.4
3	1000	1000/800	OETL 1000K3	1SCA022117R8660	1	16.3
3			OETL 1000K140 ²⁾	1SCA022143R1310		17.6
3			OETL 1000K185 ²⁾	1SCA022143R1580		17.6
3			OETL 1000K200 ²⁾	1SCA022143R1740		17.6
4	1250	1250/800	OETL 1000K4	1SCA022117R8820	1	20.5
3			OETL 1000K3-2 ³⁾	1SCA022157R2810		16.2
3			OETL 1000K3-H20 ¹⁾	1SCA022317R1480		16.3
3			OETL 1000KV 12	1SCA022290R6310		16.3
4	1600	1600/800	OETL 1000KV 22	1SCA022290R6570	1	20.5
3			OETL 1250K3	1SCA022097R3510		16.3
3			OETL 1250K140 ²⁾	1SCA022143R1910		17.6
3			OETL 1250K185 ²⁾	1SCA022143R2120		17.6
3	1250	1250/800	OETL 1250K200 ²⁾	1SCA022143R2390	1	17.6
4			OETL 1250K4	1SCA022097R3770		20.5
3			OETL 1250K3-2 ³⁾	1SCA022157R3020		16.2
3			OETL 1250K3-H20 ¹⁾	1SCA022234R3310		16.3
3	1600	1600/800	OETL 1250KV 12	1SCA022268R2870	1	16.3
4			OETL 1250KV 22	1SCA022269R6910		20.5
3			OETL 1600K3	1SCA022097R3930		17.5
3			OETL 1600K140 ²⁾	1SCA022097R4310		17.6
3	1600	1600/800	OETL 1600K185 ²⁾	1SCA022097R4580	1	17.6
3			OETL 1600K200 ²⁾	1SCA022096R8850		17.6
4			OETL 1600K4	1SCA022097R4150		22.5
3			OETL 1600K3-2 ³⁾	1SCA022157R3290		17.4
3	1600	1600/800	OETL 1600K3-H20 ¹⁾	1SCA022264R2220	1	17.5
3			OETL 1600KV 12	1SCA022189R1400		17.5
3			OETL 1600KV 22	1SCA022290R6730		22.5

¹⁾ Extra thick (20 µm) silver coating on the contacts.

²⁾ With extended phase distances:
- OETL 1000...1600K140: 140 mm

- OETL 1000...1600K185: 185 mm
- OETL 1000...1600K200: 200 mm

³⁾ Handle and shaft have to be ordered separately

SwitchLine

Ordering Information

OETL 200...3150

Rotary type load break switches, 2500 ... 3150 A, 3 and 4-pole

Including handle, shaft and terminal bolt kit*).

Number of poles	I _{th} (open) [A]	Rated oper. currents AC21/AC22 [A/A]=415V	Type	Order number	Pack- age [pcs]	Weight [kg]
OETL 2500...3150						
Black IP54 metallic handle YASDA 7 with 1-0 -indication and shaft OXP12x325, length 325 mm included.						
3	2500	2500/	OETL 2500K3 ³⁾	1SCA022108R7780	1	37
3		1600	OETL 2500K185 ²⁾³⁾	1SCA022123R9710		37
4			OETL 2500K4 ³⁾	1SCA022115R6180		47
3			OETL 2500K3-2 ³⁾⁶⁾	1SCA022157R4000		36.8
3			OETL 2500K3-H20 ¹⁾³⁾	1SCA022317R2290		37
3			OETL 2500KV12	1SCA022290R6900		37
4			OETL 2500KV22	1SCA022290R7110		47
3	3150	3150/	OETL 3150K3 ³⁾	1SCA022115R6340	1	37
3		1600	OETL 3150K185 ²⁾³⁾	1SCA022136R7550		37.5
4			OETL 3150K4 ³⁾	1SCA022115R6510		47
3			OETL 3150K3-2 ³⁾⁶⁾	1SCA022157R4260		36.8
3			OETL 3150K3-H20 ¹⁾³⁾	1SCA022163R8090		37
3			OETL 3150KV12	1SCA022290R3390		37
4			OETL 3150KV22	1SCA022293R8260		47

Side operated load break switches, 200 ... 800 A, 3 and 4- pole

Including terminal bolt kit*). 400...800 A include phase barriers

OETLZN 17. The handle and shaft have to be ordered separately, see accessories.

3	250	200/	OETL 200KM3-2	1SCA022144R9100	1	3.0
4		200	OETL 200KM4-2	1SCA022144R9360		3.7
3	315	250/	OETL 250KM3-2	1SCA022160R0790	1	3.0
4		250	OETL 250KM4-2	1SCA022160R0950		3.7
3	350	315/	OETL 315KM3-2	1SCA022144R8120	1	3.0
4		315	OETL 315KM4-2	1SCA022144R8390		3.7
3	500	500/	OETL 400DM1-2	1SCA022066R5950	1	5.2
4		500	OETL 400DM4-2	1SCA022071R7420		6.3
3	630	630/	OETL 630KM3-2	1SCA022082R5150	1	6.2
4		630	OETL 630KM4-2	1SCA022082R5310		7.6
3	800	800/	OETL 800KM3-2	1SCA022102R7290	1	7.3
4		720	OETL 800KM4-2	1SCA022102R7450		9.2

Earthing switches, 1250 A

Including terminal bolt kit *), black IP65 handle OHB145J12E421 with $\frac{1}{2}$ - O -indication, padlockable in both positions, door interlock in O-position and shaft OXP12x185, length 185 mm.

Num- ber of making poles	Short circuit capacity [kA] RMS	Short time withstand current/1s [kA]	Type	Order number	Pack- age [pcs]	Weight [kg]
3	50/0.4s ⁵⁾	50	OETL 1250M3	1SCA022102R1410	1	16
4	50/0.5s ⁵⁾		OETL 1250M4	1SCA022189R0930		20.5
3	110 (Peak)		OETL 1250M140 ⁴⁾	1SCA022126R6950		20.6
4			OETL 1250M4-140 ⁴⁾	1SCA022290R5680		25.1

¹⁾ Extra thick (20 µm) silver coating on the contacts.

²⁾ With extended phase distances:- OETL 2500K185 / 3150K185: 185 mm

³⁾ The busbar connections for different busbar arrangements have to be ordered separately.

⁴⁾ Phase distance 140 mm.

⁵⁾ Max. distance between busbar support and switch terminal 70 mm.

⁶⁾ Handle and shaft have to be ordered separately, see 'Optional handles' and 'Extended shafts'. "Package" indicates the number of items included in the type code.

^{*)} OETL 200 ... 3150 include terminal bolt kit:

OETL 200: OZXE 1, M8 x 25 mm, 6 pcs/pack.

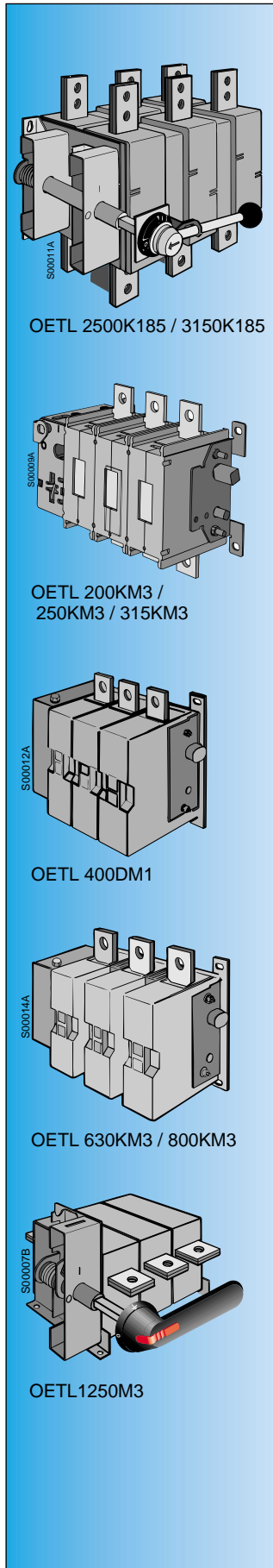
OETL 250, 315: OZXE 2, M10 x 30 mm, 6 pcs/pack.

OETL 400: OZXE 6, M10 x 40 mm, 6 pcs/pack.

OETL 630, 800: OZXE 3, M12 x 40 mm, 6 pcs/pack.

OETL 1000...1600: OZXE 14, M12 x 60 mm, 6 pcs/pack.

OETL 2500...3150: OZXE 14, M12 x 60 mm, 12 pcs/pack.



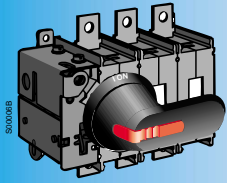
SwitchLine

Ordering Information

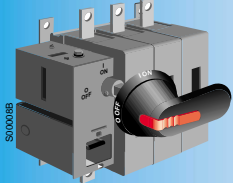
OETL-NF 200...2000

Non-fusible disconnect switches for North-American market

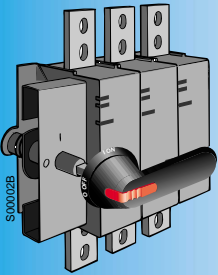
Ampere rating [A]	Horsepower rating 3-phase [HP]						Type	Order number	Weight [kg]	Package [pcs]
	200V	208V	240V	480V	600V					
Including handle: OHB80J8, NEMA 1, 3R, 12, IP65, shaft: OXP8x240 and terminal bolt sets										
200	60	60	75	150	200	OETL-NF200AP	1SCA022281R9680	3.0	1	
Including handle: OHB145J12, NEMA 1, 3R, 12, IP65, shaft: OXP12x166 and terminal bolt sets										
400	100	100	125	250	350	OETL-NF400P	1SCA022281R9840	6.4	1	
Including handle: OHB145J12, NEMA 1, 3R, 12, IP65, shaft: OXP12x280 and terminal bolt sets										
600	150	150	200	400	500	OETL-NF600AP	1SCA022282R0000	6.5	1	
800	200	200	250	500	600	OETL-NF800AP	1SCA022282R0260	16.3	1	
1200	-	-	-	-	-	OETL-NF1200P	1SCA022282R0420	17.5	1	
Including handle YASDA 8, NEMA 1, 3R, 4, 4x, 12, IP65, shaft OXP12x325, terminal bolt sets and busbar connections										
1600	-	-	-	-	-	OETL-NF1600P	1SCA022282R0690	65	1	
2000 ¹⁾	-	-	-	-	-	OETL-NF2000P	1SCA022282R0850	65	1	



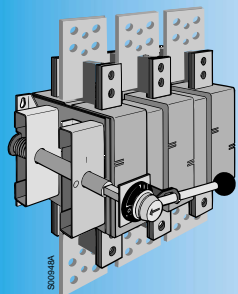
OETL-NF 200AP



OETL-NF 400P / 600AP



OETL-NF 800AP / 1200P



OETL-NF 1600P / 2000P

• Approvals:
 - UL98, CSA 22-22 #4
 - IEC 60947-3

¹⁾ 480 VAC max.

SwitchLine

Ordering Information

OETL 200...3150, Accessories

Optional handles, front operated

Colour	Handle length [mm]	Suitable for switches	Type	Order number	Pack- age	Recomm. order qty [pcs]
--------	--------------------	-----------------------	------	--------------	-----------	-------------------------

Plastic handles, IP 65, NEMA 1, 3R, 12. Indication in types OHB_ and OHY_ : I-O/ON-OFF, in types OHG_ : I-O, padlockable with 3 padlocks in OFF- position, door interlock in ON- position defeatable ²⁾, door drilling, see dimension drawings. The shaft has to be ordered separately.

For shaft diameter 8 mm

Black	65	OETL 200...315	OHB 65J8	1SCA022380R9910	1	100
Yel.-red			OHY 65J8	1SCA022381R0160		
Grey			OHG 65J8	1SCA022381R0080		
Black	80	OETL 200...315	OHB 80J8	1SCA022381R0590	1	100
Yel.-red			OHY 80J8	1SCA022381R0750		
Grey			OHG 80J8	1SCA022381R0670		

For shaft diameter 12 mm

Black	125	OETL 400...800	OHB 125J12	1SCA022381R1560	1	90
Yel.-red			OHY 125J12	1SCA022381R1720		
Grey			OHG 125J12	1SCA022381R1640		
Black	145	OETL 400...1600	OHB 145J12	1SCA022381R2110	1	90
Yel.-red			OHY 145J12	1SCA022381R2370		
Grey			OHG 145J12	1SCA022381R2290		
Black	175	OETL 400...1600	OHB 175J12	1SCA022381R2450	1	90
Yel.-red			OHY 175J12	1SCA022381R2700		
Grey			OHG 175J12	1SCA022381R2610		
Black	275	OETL 400...3150	OHB 275J12	1SCA022381R2960	1	
Yel.-red			OHY 275J12	1SCA022381R3180		
Grey			OHG 275J12	1SCA022381R3000	1	

Metallic handles, IP65, NEMA 1, 3R, 4, 4x, 12, padlockable with 3 padlocks in OFF- position, door interlock in ON- position, door drilling is shown in the handles' dimension drawings. For shaft diameter 12 mm.

Black	145	OETL 400...1600	YASDA 24	1SCA022224R0510	1	
Black 1-0	220	OETL 400...3150	YASDA 7	1SCA022071R3010	1	
Black 1-0 ON-OFF	220	OETL 400...3150	YASDA 8	1SCA022071R3270	1	

Metallic handles, IP44, padlockable with 3 padlocks in OFF- position, door interlock in I- and II- position, door drilling is shown in the handles' dimension drawings. For shaft diameter 12 mm.

Black I-0-II	220	OETL 400...3150	YASDA 21	1SCA022098R9420	1	
Black I-0-II	320	OETL 400...3150	YASDA 6	1SCA022071R2890	1	

Optional handles, side operated

Plastic handles, IP 65, NEMA 1, 3R, 12. Indication in types OHB_ and OHY_ : I-O/ON-OFF, in types OHG_ : I-O, padlockable with 3 padlocks in OFF- position, door interlock in ON- position defeatable ²⁾, door drilling is shown in the handles' dimension drawings. The shaft has to be ordered separately.

For shaft diameter 8 mm

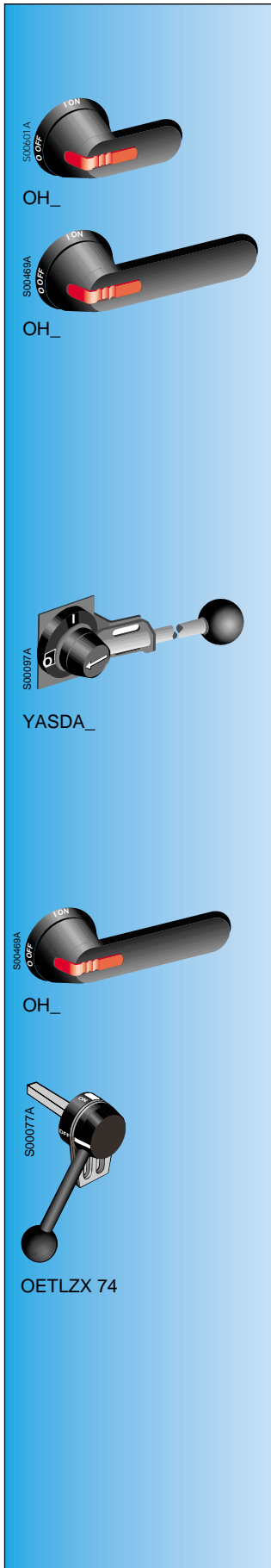
Black	80	OETL 200...315 ¹⁾	OHB 80J8E00S	1SCA022381R9710	1	
Yel.-red			OHY 80J8E00S	1SCA022382R9510		
Grey			OHG 80J8E00S	1SCA022461R0280		

For shaft diameter 12 mm

Black	145	OETL 400...800	OHB 145J12E002S	1SCA022383R5400	1	
Yel.-red			OHY 145J12E002S	1SCA022383R5310		
Grey			OHG 145J12E002S	1SCA022461R0100		

Metallic handles, IP 65, NEMA 1, 3R, 12, indication ON-OFF and I-O, padlockable with 3 padlocks in OFF- position, is shown in the handles' dimension drawings. Including the 12 mm square shaft.

Black	145	OETL 400...800	OETLZX 74	1SCA022070R2660	1	
-------	-----	----------------	-----------	-----------------	---	--



¹⁾ If the handle is mounted on the front of the door, a standard handle can be used as well.

²⁾ REMARK: When door interlock bracket is provided, the door interlock in handles can't be defeated, see accessories.

• NEMA 4, 4x pistol handles available on request.

• Handles padlockable in all positions are available on request.

• Door interlocking in ON-position means that the door can not be opened, when the handle is in ON-position. This can be defeated in IP 65 types to allow authorized personnel access for inspection.

SwitchLine

Ordering Information

OETL 200...3150, Accessories

Optional handles with I-O-II -indication

Colour	Handle length [mm]	Shaft diam. [mm]	Suitable for switches	Type	Order number	Package [pcs]
Plastic handles, IP65, NEMA 1, 3R, 12, indication I-O-II, padlockable with 3 padlocks in OFF-position, door interlock in ON-position defeatable ¹⁾ . Door drilling, see dimension drawings. The shaft has to be ordered separately.						
Black	145	12	OETL 200...1600	OHB145J12E011	1SCA022399R8530	1
Yel.-red				OHY145J12E011	1SCA022460R7060	
Grey				OHG145J12E011	1SCA022460R7140	
Black	275	12	OETL 400...3150	OHB 275J12E011	1SCA022460R7220	1
Yel.-red				OHY 275J12E011	1SCA022460R7310	
Grey				OHG 275J12E011	1SCA022460R7490	

Extended shafts

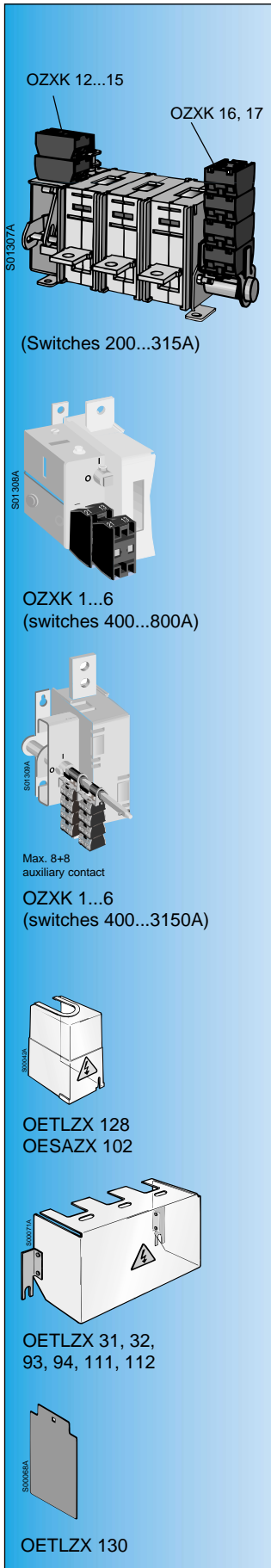
Shaft length [mm]	H [mm]	H ₁ [mm]	H ₂ [mm]	Suitable for switches	Type	Order number	Package [pcs]
Shaft diameter 8 mm							
140	120...220				OXp8x140	1SCA022295R5860	
180	160...240				OXp8x180	1SCA022160R9820	
240	220...320			OETL 200...315	OXp8x240	1SCA022137R5730	1
340	320...420				OXp8x340	1SCA022160R9070	
500	480...580				OXp8x500	1SCA022160R9230	
Shaft diameter 12 mm							
166	160...255			OETL 400...800	OXp12x166	1SCA022325R7100	1
185	165...275			OETL 400...800	OXp12x185	1SCA022325R6710	1
	190...260			OETL 1000...1600			
250	230...340			OETL 400...800	OXp12x250	1SCA022325R6980	1
	255...325			OETL 1000...1600			
280	260...370			OETL 400...800	OXp12x280	1SCA022137R5140	1
	285...355			OETL 1000...1600			
325	305...415			OETL 400...800	OXp12x325		
	330...400			OETL 1000...1600		1SCA022042R5810	1
	340...535			OETL 2500, 3150			
395	375...485			OETL 400...800	OXp12x395		
	400...470			OETL 1000...1600		1SCA022042R5990	1
	410...605			OETL 2500, 3150			
465	445...555			OETL 400...800	OXp12x465		
	470...540			OETL 1000...1600		1SCA022042R6020	1
	480...675			OETL 2500, 3150			
535	515...625			OETL 400...800	OXp12x535		
	540...610			OETL 1000...1600		1SCA022042R6110	1
	550...745			OETL 2500, 3150			
Twisted shafts, shaft diameter 8 mm. The shaft position is rotated 45 degrees.							
140	120...220			OETL200...315	OXp8x140-45	1SCA022357R7860	1
340	320...420			OETL200...315	OXp8x340-45	1SCA022357R5650	1
Twisted shafts, shaft diameter 12 mm. The shaft position is rotated 45 degrees.							
250	230...340			OETL 400...800	OXp12x250-45	1SCA022293R9400	1
	255...325			OETL 1000...1600			
280	260...370			OETL 400...800	OXp12x280-45	1SCA022382R0800	1
	285...355			OETL 1000...1600			
325	305...415			OETL 400...800	OXp12x325-45	1SCA022304R4450	1
	330...400			OETL 1000...1600			
	340...535			OETL 2500, 3150			
395	375...485			OETL 400...800	OXp12x395-45	1SCA022431R8540	1
	400...470			OETL 1000...1600			
	410...605			OETL 2500, 3150			
465	445...555			OETL 400...800	OXp12x465-45	1SCA022423R1770	1
	470...540			OETL 1000...1600			
	480...675			OETL 2500, 3150			

¹⁾ REMARK: When door interlock bracket is provided, the door interlock in handles can't be defeated, see accessories.

SwitchLine

Ordering Information

OETL 200...3150, Accessories



Auxiliary contact sets

Wire cross section 0.5 mm²...2 x 2.5 mm². Insulation voltage U_i 690 V. Thermal current I_{th} = 10 A. Protection degree IP 20. Early break type.

Performance data ²⁾ U_e / I_e (AC12): 120V/8A, 240V/6A, 400V/4A, 415V/4A, 480V/3A, 500V/3A, 690V/2A, U_e / I_e (DC12): 125V/1.1A, 250V/0.55A, 440V/0.31A, 500V/0.27A, 600V/0.2A.

Auxiliary contacts ¹⁾	Suitable for switches	Type	Order number	Package [pcs]	
	1 no + 1 nc	OETL 200...315	OZ XK 12	1SCA022144R7400	1
		OETL 400...3150	OZ XK 1	1SCA022131R8690	1
	2 no + 2 nc	OETL 200...315	OZ XK 13	1SCA022144R7230	1
		OETL 400...3150	OZ XK 2	1SCA022131R8850	1
	4 no + 4 nc	OETL 200...315	OZ XK 16	1SCA022144R7150	1
		OETL 400...3150	OZ XK 3 ³⁾	1SCA022131R9070	1
	2 no	OETL 200...315	OZ XK 14	1SCA022144R7580	1
		OETL 400...3150	OZ XK 4	1SCA022131R9230	1
	4 no	OETL 200...315	OZ XK 15	1SCA022144R7310	1
		OETL 400...3150	OZ XK 5	1SCA022131R9400	1
	8 no	OETL 200...315	OZ XK 17	1SCA022144R6340	1
		OETL 400...3150	OZ XK 6 ⁴⁾	1SCA022131R9660	1

Terminal shrouds

Number of poles	Suitable for switches	Quantity for full protection [pcs]	Type	Order number	Package [pcs]
3	OETL 200...315	6	OETLZX 128	1SCA022139R7200	1
4		8			
3	OETL 400	2	OETLZX 31	1SCA022061R1350	1
4		2	OETLZX 32	1SCA022061R1510	1
3	OETL 400KV12	2	OETLZX 177	1SCA022267R9730	1
4	OETL 400KV22	2	OETLZX 178	1SCA022267R9900	1
3	OETL 630...800KV12	2	OETLZX 179	1SCA022268R0150	1
4	OETL 630...800KV22	2	OETLZX 180	1SCA022268R0310	1
3	OETL 630	2	OETLZX 93	1SCA022083R6430	1
4		2	OETLZX 94	1SCA022083R6600	1
3	OETL 800	2	OETLZX 111	1SCA022106R7080	1
4		2	OETLZX 112	1SCA022106R7240	1
3	OETL 1000...1600	6	OESA ZX 102	1SCA022090R6740	1
4		8			

Phase barriers for OETL 200...315

Phase barriers (not needed, when using terminal shrouds OETLZX 128, see above)

Type	Order number	Package [pcs]
OETLZX 130	1SCA022144R8470	4

¹⁾ Contact numbering according to EN 50 013

²⁾ According to IEC 60947-5-1

³⁾ 8 no + 8 nc auxiliary contacts = 2 x OZ XK 3

⁴⁾ 16 no auxiliary contacts = 2 x OZ XK 6

• Auxiliary contacts are of early break type which means that in the switches, the NO aux.contacts break before the main contacts open.

SwitchLine

Ordering Information

OETL 200...3150, Accessories

Mounting accessories

Mounting: OETL 200...3150 on mounting plate, key hole fixing in OETL 1000...3150. The shaft delivered with the switch can be used.

Suitable for switches	Type	Order number	Recomm. order qty	Package [pcs]
Handle support bracket for direct mounting on the switch mechanism				
OETL 200...315	OHZX 2	1SCA022465R7080	10	1
OETL 400...800	OHZX 1	1SCA022465R6860		
OETL 1000...1600	OHZX 3	1SCA022465R7240		
OETL 2500...3150	OETLZX71 ¹⁾	1SCA022068R2700		

90° angle kit, a normal switch can be converted to a side operated switch

OETL 400...3150	OETLZX 108	1SCA022087R8430		1
-----------------	------------	-----------------	--	---

Neutral links

Suitable for switches	I_{th} [A]	Max. cable cross section /Cu or bolt size [mm ²]	Type	Order number	Package [pcs]
Detachable, mounted to the switch					
OETL200...315	400	240	OETLZX 129	1SCA022144R8210	1
OETL400...800	400	240	OESAZX 85	1SCA022082R3110	1
OETL630...800	1000	M12	OESAZX 158	1SCA022186R3530	1
OETL1000...1600	1000	M12	OESAZX 159	1SCA022186R3700	1
Mounted separately to the base plate					
	200	10...120	OESAZX 162	1SCA022193R0400	1
	315	10...300	OESAZX164	1SCA022202R9520	1
	400	10...300	OESAZX165	1SCA022202R9790	1
	1000	M12	OESAZX 160	1SCA022186R3960	1

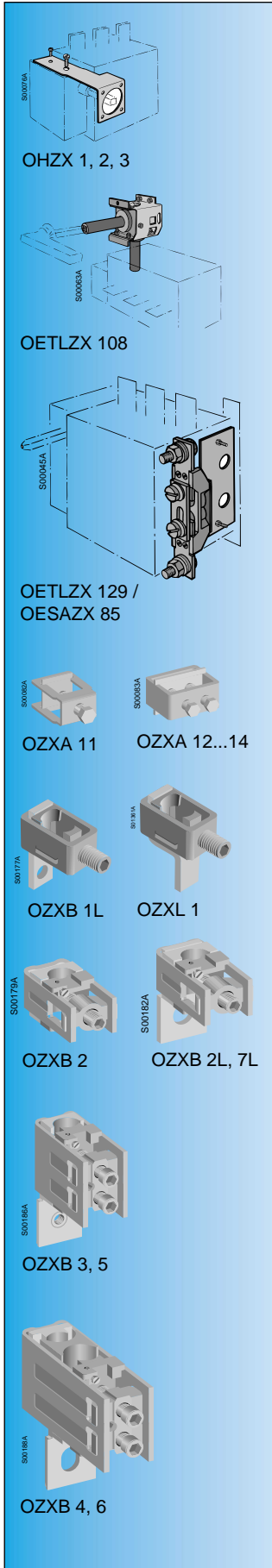
Terminal clamps

Suitable for switches	Cable cross section [mm ²]	Type	Order number	Package [pcs]
Terminal clamp sets for Cu-cables				
OETL 200...315	70...120 Cu	OZXA 11	1SCA022025R6940	6
OETL 400	70...185 Cu	OZXA 12	1SCA022008R7650	
OETL 630, 800	95...240 Cu	OZXA 14	1SCA022008R7810	
Terminal clamp sets for Al- and Cu-cables				
OETL 200	10...70Al/Cu	OZXL 1	1SCA022439R6770	3
		OZXB 1L	1SCA022169R2030	3
		OZXB 1L/1	1SCA022194R0030	1
		OZXL 1/1	1SCA022469R6220	1
OETL 250...400	25...120 Al/Cu	OZXB 2	1SCA022119R7610	3
		OZXB 2L	1SCA022158R7750	3
		OZXB 2L/1	1SCA022194R0460	
OETL 200...3150	95...185 Al/Cu	OZXB 3	1SCA022136R8100	3
		OZXB 3/1	1SCA022194R0620	1
OETL 250...3150	2x(95...185) Al/Cu	OZXB 4	1SCA022137R4760	3
		OZXB 4/1	1SCA022194R0890	1
OETL 250...3150	120...300 Al/Cu	OZXB 5	1SCA022137R2470	3
		OZXB 5/1	1SCA022194R1010	1
OETL 250...3150	2x(120...300) Al/Cu	OZXB 6	1SCA022137R4920	3
		OZXB 6/1	1SCA022194R1270	1
OETL 200...800	120...240 Al/Cu	OZXB 7L	1SCA022185R7130	3
		OZXB 7L/1	1SCA022194R1600	1

- ¹⁾ With metallic handle
- More information on Al/Cu terminal clamps, see the catalogue OZX 1 A GB.
 - OETL 200...3150 include bolt sets:

OETL 200: OZXE 1, M8 x 25 mm, 6 pcs/package

OETL 250, 315: OZXE 2, M10 x 30 mm, 6 pcs/package
 OETL 400: OZXE 6, M10 x 40 mm, 6 pcs/package
 OETL 630, 800: OZXE 3, M12 x 40 mm, 6 pcs/package
 OETL 1000...3150: OZXE 14, M12 x 60 mm, 12 pcs/package



SwitchLine

Ordering Information

OETL 200...3150, Accessories

Busbar connections

Busbars for parallel connection. Terminal clamps have to be ordered separately.

Suitable for switches	Clamps	Type	Order number	Package [pcs]
OETL 200...315	2x OZXB2_	OZXE 21	1SCA022161R8810	3
OETL 200...400	2x OZXB1_	OZXE 20	1SCA022161R8650	3
OETL 630...800	2xOZXB4 / OZXB3 + OZXB4	OZXE 18	1SCA022162R7810	3
OETL 1000...1600	2x OZXB6 / OZXB6+ OZXB5	OZXE 19	1SCA022162R8020	3

Busbar connections for OETL 2500 and OETL 3150

Busbar termination from different directions can be carried out by means of terminal connection kits providing ease and speed of installation. See dimension drawings on page 67.

Suitable for switches	Number of connectors	Type	Order number	Package
Vertical mounting				
3 pole	6	OETLZX 115	1SCA022117R7770	1
4 pole	8	OETLZX 115/1	1SCA022126R2110	
Vertical- / back- or edgewise mounting				
3 pole	6	OETLZX 114	1SCA022117R7510	1
4 pole	8	OETLZX 114/1	1SCA022126R1990	

Locking accessories

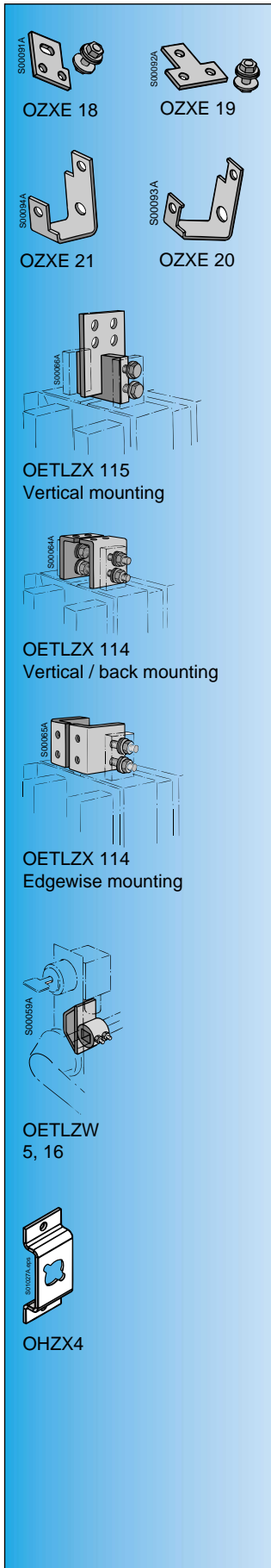
Cam attachment for Castell, Lowe & Fletcher and Ronis interlock
Cam attachment for adopting the switches to the interlock system. The interlock is not included.

Suitable for switches	Type	Order number	Package [pcs]
OETL 200...315	OETLZW 16	1SCA022093R2070	1
OETL 400...3150	OETLZW 5	1SCA022052R3900	1

Door interlock bracket

When this bracket is provided, the door interlock in handles can't be defeated.

For pistol type handles	Type	Order number	Package [pcs]
OH_45...275	OHZX4	1SCA022467R2470	1



SwitchLine

Ordering Information

OETL 200...3150, Accessories

Conversion kits for the combination switches

The attachment levers are provided with holes, enabling different shaft distances. The combination switches can be mounted either horizontally or vertically. See dimension drawings, pages 68...69.

Suitable for switches	Shaft distance [mm]	Incl. shafts & handle ³⁾	Type	Order number	Package [pcs]
-----------------------	---------------------	-------------------------------------	------	--------------	---------------

6 and 8-pole switches

Parallel attachment of 3 and 4-pole switches for building 6 and 8-pole switches respectively. Both switches work simultaneously.

OETL 200...315	80 + (0...10) x 20	x	OETLZW 18	1SCA022143R4410	1
OETL 400...1600	60 + (0...19) x 20	- ¹⁾	OETLZW 9	1SCA022061R3300	1

Change over switches

Two switches connected with a mechanism.

OETL 200...315	210 + (0...11) x 20	x	OETLZW 20	1SCA022142R1270	1
OETL 400	210 + (0...11) x 20	x	OETLZW 11	1SCA022078R0030	1
OETL 630...1600	210 + (0...20) x 20	x	OETLZW 12	1SCA022078R0200	1

By-pass switches

A combination of two switches in parallel with one change-over switch to pass-by, e.g. a breaker for maintenance. The by-pass attachment can be used together with another combination attachment.

OETL 200...315	between A and B: 210 + (0...9) x 20 between A and C: 250 + (0...9) x 20	x	OETLZW 21	SCA022158R1800	1
OETL 400...1600	between A and B: 210 + (0...18) x 20 between A and C: 250 + (0...18) x 20	x	OETLZW 13	1SCA022078R0460	1

Mechanical interlock

Prevents one switch from closing to ON-position if the other is not in OFF-position. When mounted upside down, prevents one switch from opening to OFF-position, if the other is not in ON-position.

OETL 200...315	240/280	- ²⁾	OETLZW 19	1SCA022142R1010	1
OETL 400...1600	300	- ¹⁾	OETLZW 3	1SCA022049R0380	1
OETL 400...1600	250	- ¹⁾	OETLZW 14	1SCA022077R3410	1
OETL 400...3150	500	- ¹⁾	OETLZW 15	1SCA022081R9340	1

Shaft extension socket

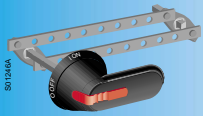
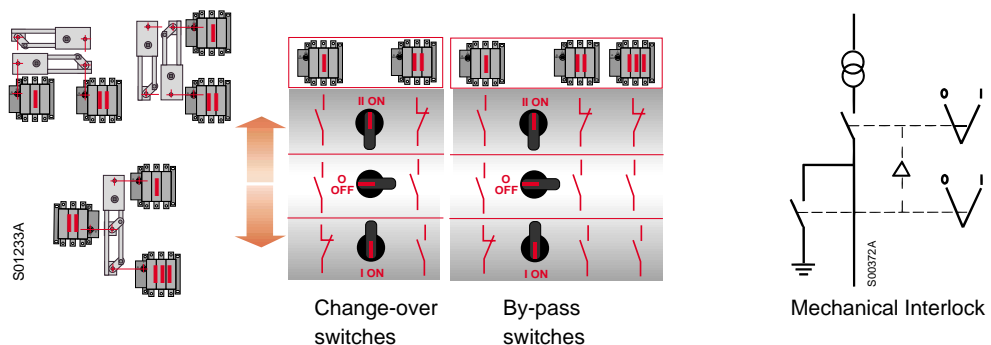
For extending the shaft of combination attachment.

Suitable for shaft with diameter [mm]	Type	Order number	Package [pcs]
12	OETL ZX 95	1SCA022083R5620	1

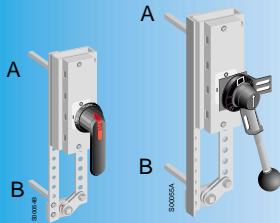
Adapters for extension socket

Adapters to place inside of OETLZX 95 to connect shafts of different sizes.

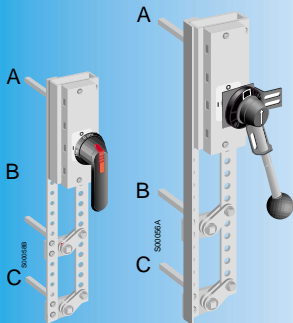
5...6	OETL ZK 19	1SCA022093R1850	1
8	OETL ZT 123	1SCA022164R8300	1



OETLZW 18



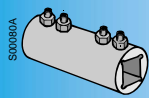
OETLZW 11, 20



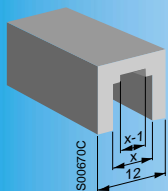
OETLZW 21 OETLZW 13



OETLZW 3, 14, 15, 19



OETLZX 95



OETL ZK 19 (x = 6 mm)
OETL ZT 123 (x = 8 mm)

^{1,2)} Handles delivered with the switches can also be used with the conversion kits.
¹⁾ Suitable shaft diameter 12 mm. Handles: OH_ or YASDA 7 / -8.
(for OETL 1000...1600 YASDA_)
²⁾ Suitable shaft diameter 8 mm. Handles: OH_.

³⁾ Conversion kit:
OETL ZW 18
OETL ZW 11, 20, 21,
OETL ZW 12
OETL ZW 13

Incl. the handle type:
OHB145J12
OHB145J12E011
YASDA 21
YASDA 6

Description:
(plastic: I-O, ON-OFF)
(plastic: I - O - II)
(metallic: I - O - II)
(metallic: I - O - II)

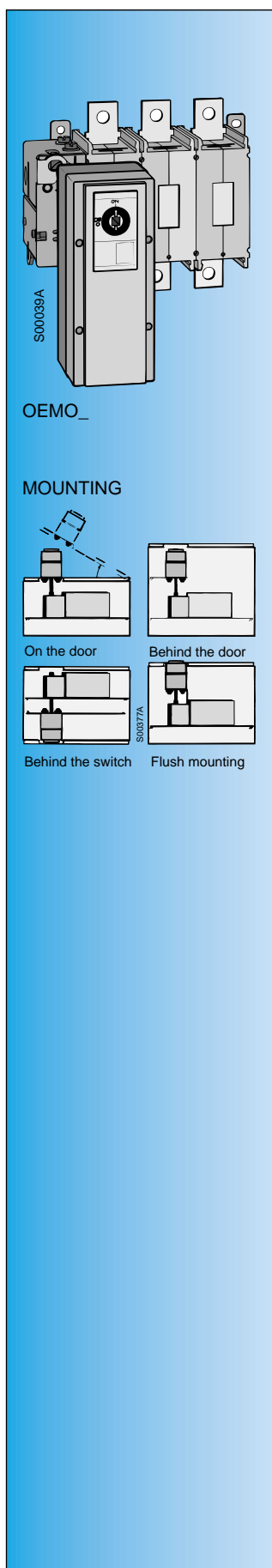
SwitchLine

Ordering Information

OETL 200...3150, Accessories

Motor operator

OEMO motor operator has been designed for remote control of the switch. The standard delivery includes complete control circuit; short cable and spare handle. See dimension drawings on page 67.



Suitable for switches	Voltage	Type	Order number	Package [pcs]
Function I-0 (ON-OFF)				
OETL 200...315	24 VDC/AC	OEMO001/24VDC/AC	1SCA022172R7860	1
	48 VDC/AC	OEMO001/48VDC/AC	1SCA022172R8080	
	110 VAC	OEMO001/110VAC	1SCA022172R8410	
	220 VAC	OEMO001/220VAC	1SCA022172R8670	
	220VDC	OEMO001/220VDC	1SCA022181R8150	
	240 VAC	OEMO001/240VAC	1SCA022181R7000	
OETL 400...800	24 VDC / AC	OEMO002/24VDC/AC	1SCA022172R8830	1
	48 VDC / AC	OEMO002/48VDC/AC	1SCA022172R9050	
	110 VAC	OEMO002/110VAC	1SCA022172R9480	
	220 VAC	OEMO002/220VAC	1SCA022172R9640	
	220VDC	OEMO002/220VDC	1SCA022181R8310	
	230 VAC	OEMO002/230VAC	1SCA022196R8630	
240 VAC	OEMO002/240VAC	1SCA022181R7260		
OETL 1000...1600	24 VDC / AC	OEMO003/24VDC/AC	1SCA022172R9810	1
	48 VDC / AC	OEMO003/48VDC/AC	1SCA022173R0060	
	110 VAC	OEMO003/110VAC	1SCA022173R0490	
	110 VDC	OEMO003/110VDC	1SCA022344R6920	
	220 VAC	OEMO003/220VAC	1SCA022173R0570	
	220VDC	OEMO003/220VDC	1SCA022181R5810	
	230 VAC	OEMO003/230VAC	1SCA022196R8800	
	240 VAC	OEMO003/240VAC	1SCA022181R7420	
OETL 2500...3150	110 VAC	OEMO004/110VAC	1SCA022182R0300	
	220 VAC	OEMO004/220VAC	1SCA022181R9120	
	220VDC	OEMO004/220VDC	1SCA022357R8080	
	230 VAC	OEMO004/230VAC	1SCA022196R9010	
	240 VAC	OEMO004/240VAC	1SCA022181R9710	

Function I - 0 - II

Change over mechanism needed, see previous page.

OETL 200...315	24 VDC / AC	OEMO101/24VDC/AC	1SCA022173R0730	1
	48 VDC / AC	OEMO101/48VDC/AC	1SCA022173R0900	
	110 VAC	OEMO101/110VAC	1SCA022173R1380	
	220 VAC	OEMO101/220VAC	1SCA022173R1540	
	220 VDC	OEMO101/220VDC	1SCA022181R8580	
	240 VAC	OEMO101/240VAC	1SCA022181R7690	
OETL 400...800	24 VDC / AC	OEMO202/24VDC/AC	1SCA022173R1710	1
	48 VDC / AC	OEMO202/48VDC/AC	1SCA022173R1970	
	110 VAC	OEMO202/110VAC	1SCA022173R2350	
	220 VAC	OEMO202/220VAC	1SCA022173R2510	
	220 VDC	OEMO202/220VDC	1SCA022181R8910	
	240 VAC	OEMO202/240VAC	1SCA022181R7850	
OETL 1000...1600	110 VAC	OEMO303/110VAC ¹⁾	1SCA022173R3320	
	220 VAC	OEMO303/220VAC ¹⁾	1SCA022173R3590	
	240 VAC	OEMO303/240VAC ¹⁾	1SCA022181R8070	

Mounting kit for OEMO motor operator

For switches front operated	Type	Order number	Package [pcs]	Weight [kg]
OETL 200...800	OEMOZX 1	1SCA022185R9690	1	2.86
OETL 1000...1600	OEMOZX 2	1SCA022185R9850	1	3.20

¹⁾ The change over mechanism has to be ordered together with OEMO101...303 .

SwitchLine

Ordering Information

OETL 200...3150, Accessories

Electrical interlock

Closed circuit principle, for interlocking the switch movement. When the coil circuit is dead, A-types can not be switched to ON-position and L-types to ON- or OFF-position. Aux. contacts are mountable on the top of the mechanism.

For OETL 200...315 A

AL-types

Including 2 pcs locking parts for locking to ON-position or to ON and OFF-positions

Coil voltage	Type	Order number	Package [pcs]
24 V / DC	OETL ZT 210 AL24DC	1SCA022469R1690	1
48 V / DC	OETL ZT 210 AL48DC	1SCA022469R1770	1
110 V / DC	OETL ZT 210 AL110DC	1SCA022469R1930	1
110 V / AC 50 Hz	OETL ZT 210 AL110AC50	1SCA022469R2070	1
230 V / AC 50 Hz	OETL ZT 210 AL230AC50	1SCA022469R2310	1

For OETL 400...800 A

OETLZT 206/210 U_n/R: 110VAC 50 Hz/246Ω, 110VAC 60Hz/229Ω, 208VAC 60Hz/820Ω, 230VAC 50Hz/1200Ω, 24VDC/89Ω, 48VDC/386Ω, 60VDC/552Ω, 110VDC/1860Ω, U=0.7...1.1*U_n, PDC=6.5 W, P_{AC}=9VA.

A - types

Coil voltage	Type	Order number	Package [pcs]
24 V / DC	OETL ZT 206 A 24 DC	1SCA022435R3960	1
48 V / DC	OETL ZT 206 A 48 DC	1SCA022435R4000	1
60 V / DC	OETL ZT 206 A 60 DC	1SCA022435R4180	1
110 V / AC 50 Hz	OETL ZT 206 A 110AC50H	1SCA022435R4420	1
110 V / AC 60 Hz	OETL ZT 206 A 110AC60H	1SCA022435R4510	1
110 V / DC	OETL ZT 206 A 110 DC	1SCA022435R4260	1
208 V / AC 60 Hz	OETL ZT 206 A 208AC60H	1SCA022435R4690	1
230 V / AC 50 Hz	OETL ZT 206 A 230AC50H	1SCA022435R4770	1

L - types

24 V / DC	OETL ZT 206 L 24 DC	1SCA022435R4850	1
48 V / DC	OETL ZT 206 L 48 DC	1SCA022435R4930	1
60 V / DC	OETL ZT 206 L 60 DC	1SCA022435R5070	1
110 V / AC 50 Hz	OETL ZT 206 L 110AC50H	1SCA022435R5310	1
110 V / AC 60 Hz	OETL ZT 206 L 110AC60H	1SCA022435R5400	1
110 V / DC	OETL ZT 206 L 110 DC	1SCA022435R5150	1
208 V / AC 60 Hz	OETL ZT 206 L 208AC60H	1SCA022435R5580	1
230 V / AC 50 Hz	OETL ZT 206 L 230AC50H	1SCA022435R5660	1

Clamping diode for DC-coils

OETL ZT 208	1SCA022081R1280	1
-------------	-----------------	---

For OETL 200...3150

OETLZT 80_/_ U_n/R: 110VAC/1000Ω, 230VAC/3900Ω, 24VDC/48Ω, 48VDC/190Ω, 60VDC/300Ω, 110VDC/1000Ω, 220VDC/3900Ω, U=0.7...1.1*U_n, PDC=15 W, P_{AC}=30VA.

Coil voltage	Type	Order number	Package [pcs]
A - types			
24 V DC	OETL ZT 80 A24DC	1SCA022081R1440	1
48 V DC	OETL ZT 80 A48DC	1SCA022081R1010	1
60 V DC	OETL ZT 80 A60DC	1SCA022081R0630	1
110 V DC	OETL ZT 80 A110DC	1SCA022081R0210	1
220 V DC	OETL ZT 80 A220DC	1SCA022080R9890	1
110V AC	OETL ZT 80 A110AC	1SCA022080R9460	1
220 V AC	OETL ZT 80 A220AC	1SCA022079R9050	1
240 V AC	OETL ZT 80 A240AC	1SCA022384R3330	1

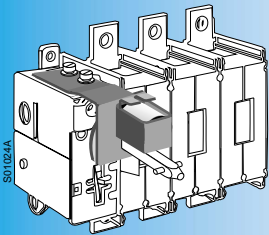
L - types

24 V DC	OETL ZT 80 L24DC	1SCA022081R1280	1
48 V DC	OETL ZT 80 L48DC	1SCA022081R0800	1
60 V DC	OETL ZT 80 L60DC	1SCA022081R0470	1
110 V DC	OETL ZT 80 L110DC	1SCA022081R0040	1
220 V DC	OETL ZT 80 L220DC	1SCA022080R9620	1
110 V AC	OETL ZT 80 L110AC	1SCA022080R9200	1
220 V AC	OETL ZT 80 L220AC	1SCA022079R9640	1
230 V AC	OETL ZT 80 L230AC	1SCA022375R0240	1
240 V AC	OETL ZT 80 L240AC	1SCA022496R2040	1

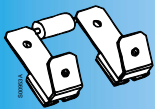
Mounting bracket

– for adapting OETLZT 80_ onto OETL 200...800, not needed with OETLZT206, 210

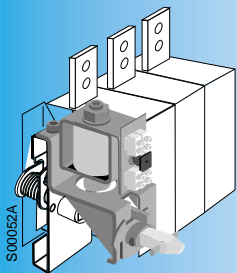
Suitable for switches	Type	Order number	Package [pcs]
OETL 200...315	OETLZT 140	1SCA022189R7010	1
OETL 400...800	OETLZT 100	1SCA022101R9780	1



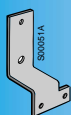
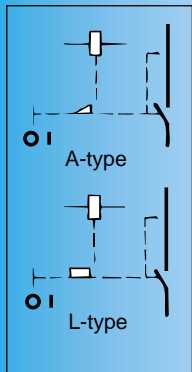
OETLZT 210



OETLZT 208



OETLZT 80_



OETLZT 100, 140



**SwitchLine
Switch-Disconnectors /
Load Break Switches
Dimension drawings OT, OETL**

Contents:

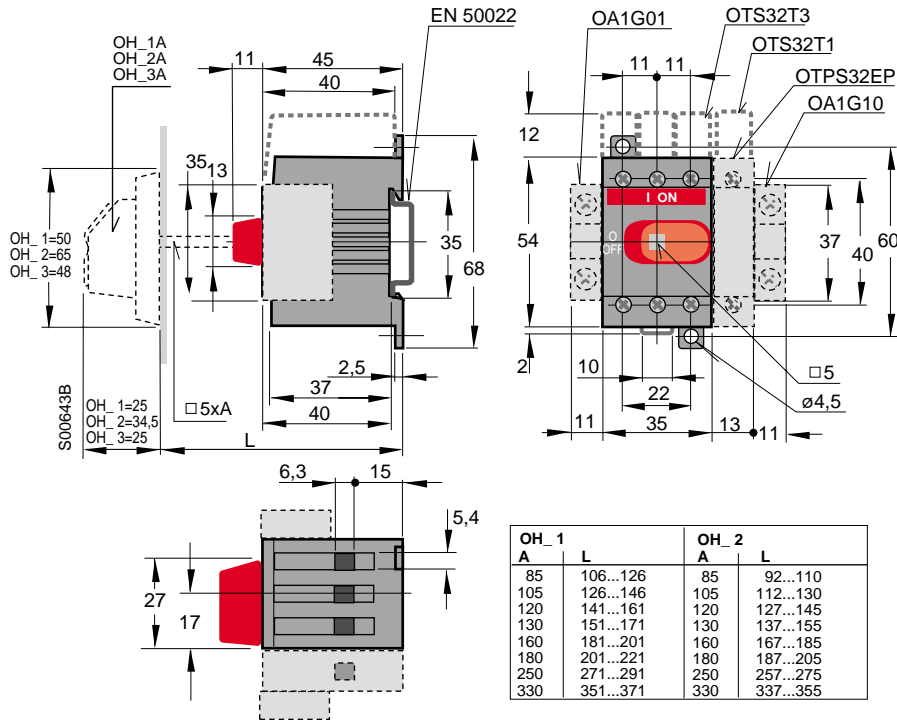
Dimension drawings OT, OETL	52 - 69
• OT 16...125	52 - 56
• Accessories: handles for small switches	57
• OT 125A and 160	58
• OETL 200...3150	59 - 65
• Accessories	66 - 69
Contact functions	70 - 71

SwitchLine

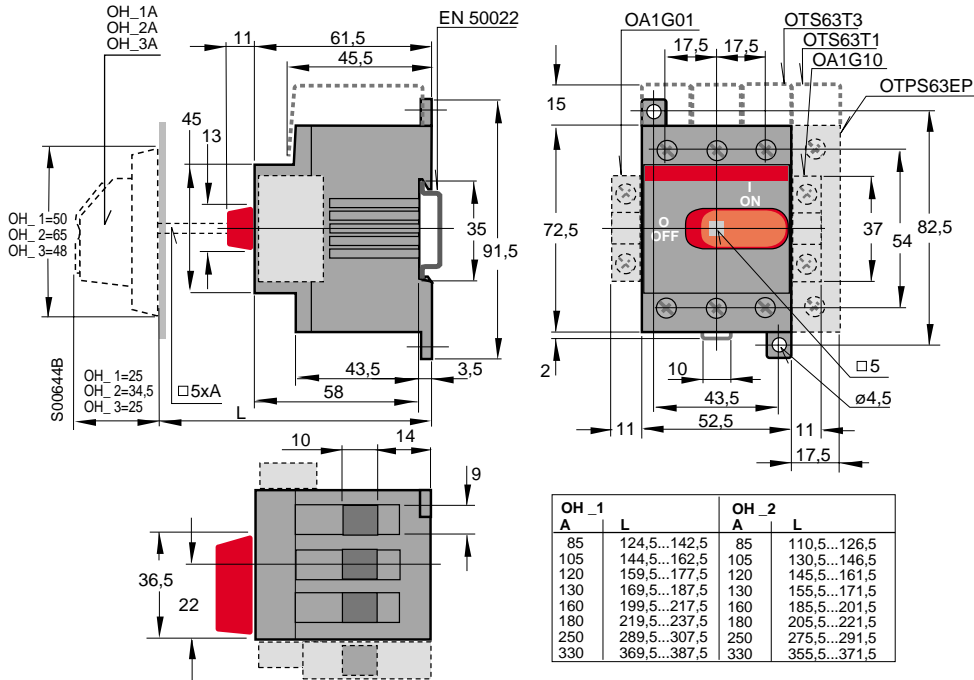
Dimension Drawings

OT 16...63E

OT 16...32E3, -E4



OT 45...63E3, -E4

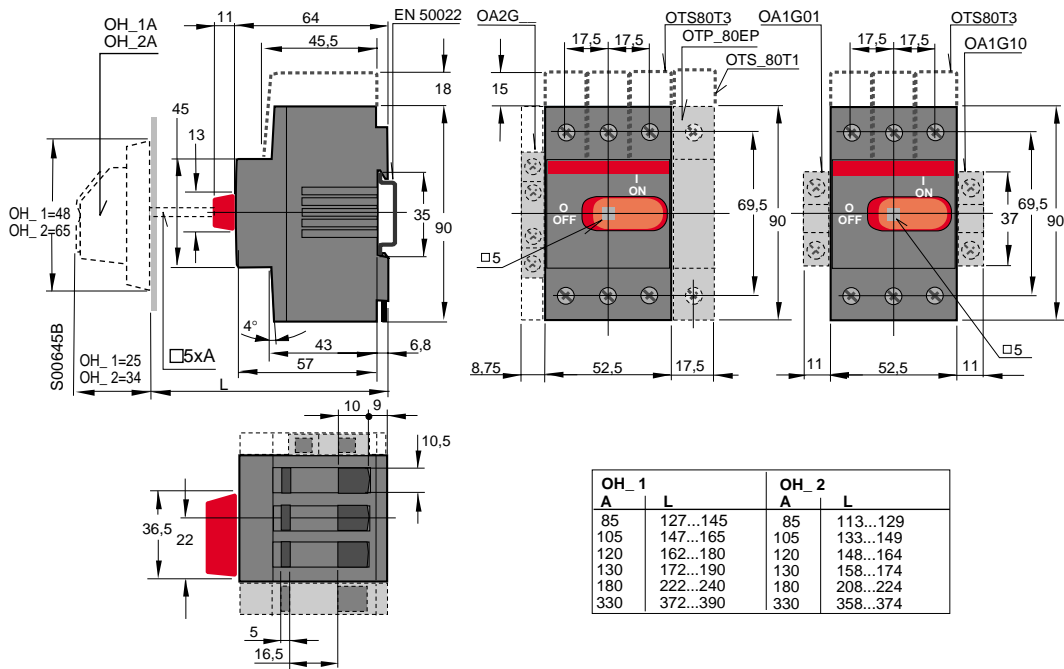


SwitchLine

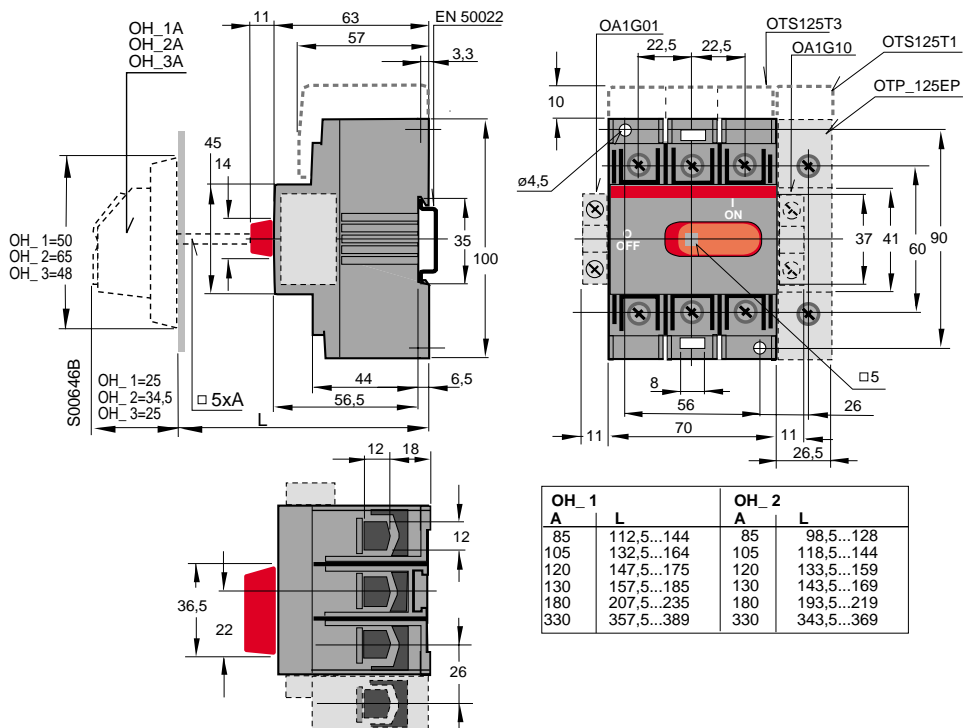
Dimension Drawings

OT 80...125E

OT 80E3, -E4



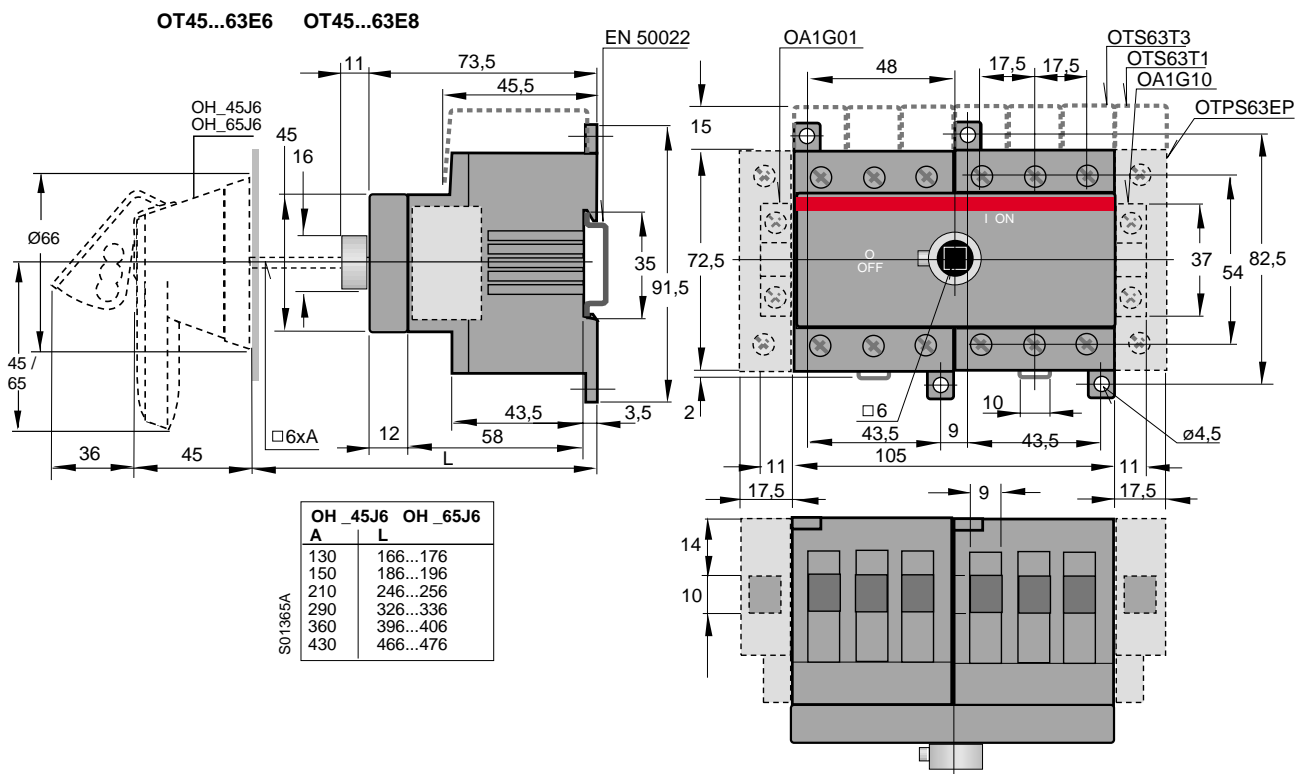
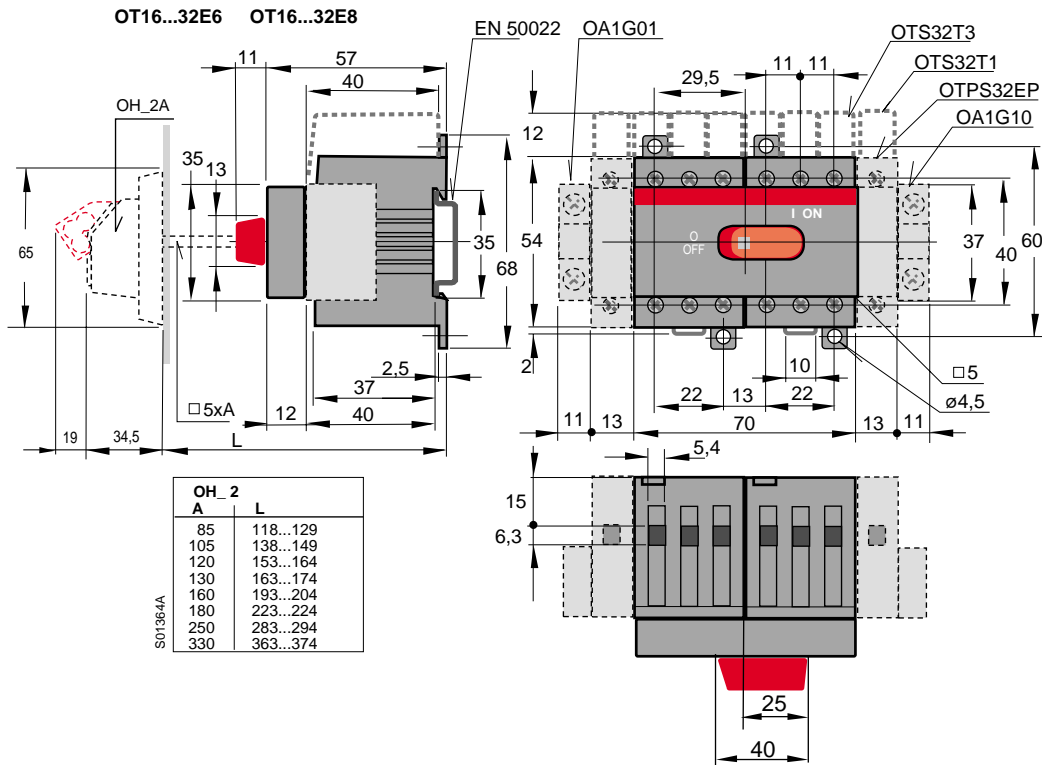
OT 100...125E3, -E4



SwitchLine

Dimension Drawings

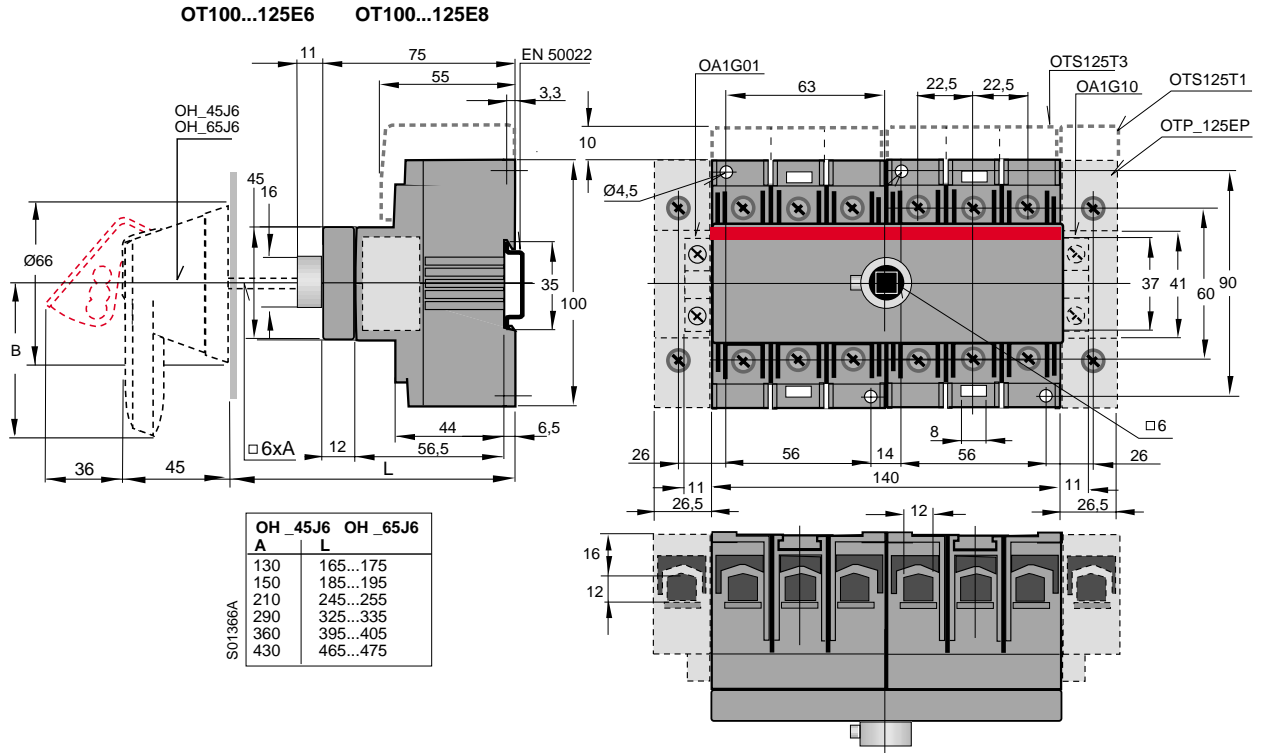
OT 16...63E6,_E8



SwitchLine

Dimension Drawings

OT 100...125E6,_E8

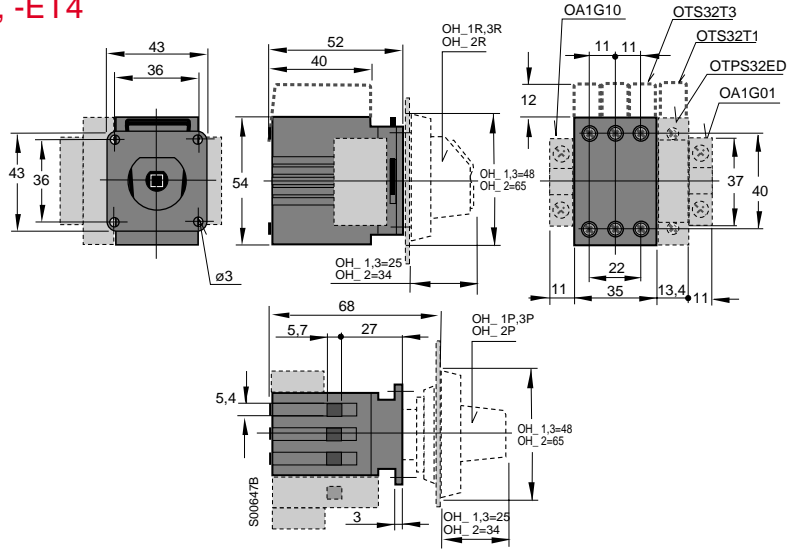


SwitchLine

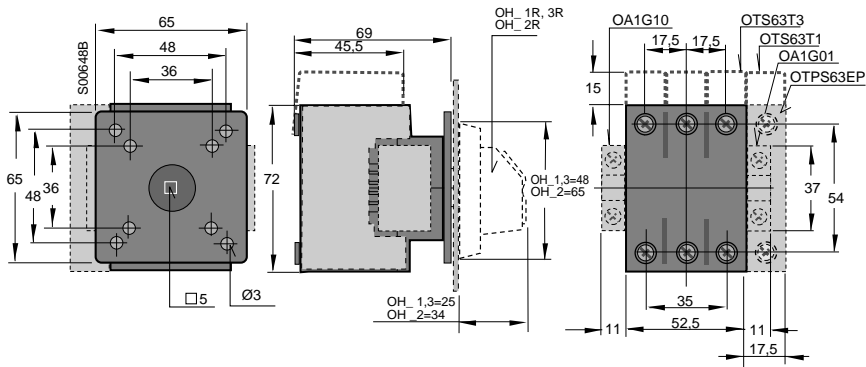
Dimension Drawings

OT 16...125ET

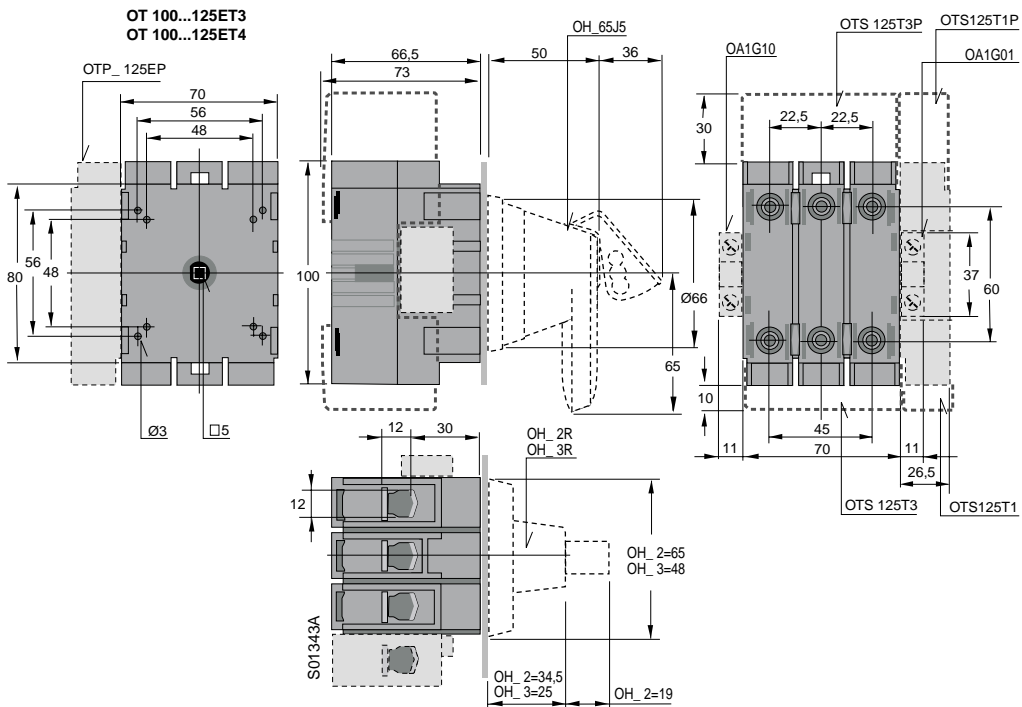
OT 16...32ET3, -ET4



OT 45...63ET3, -ET4



OT 100...125ET3, -ET4

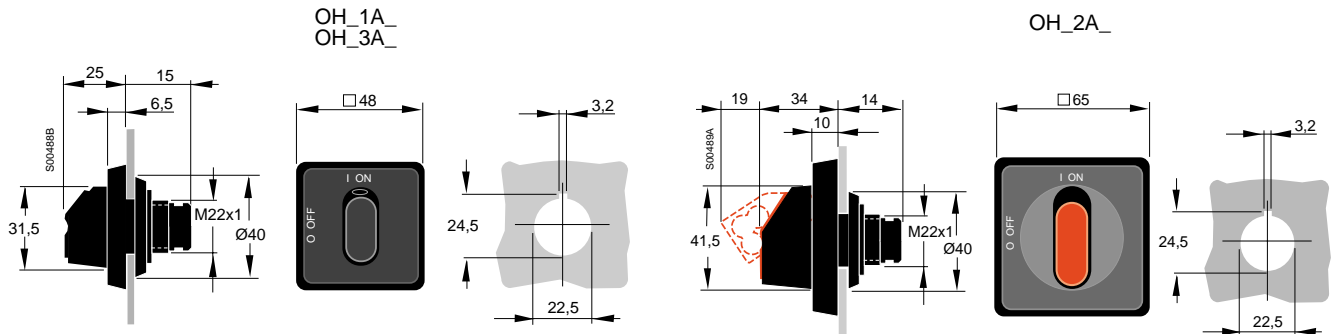


SwitchLine

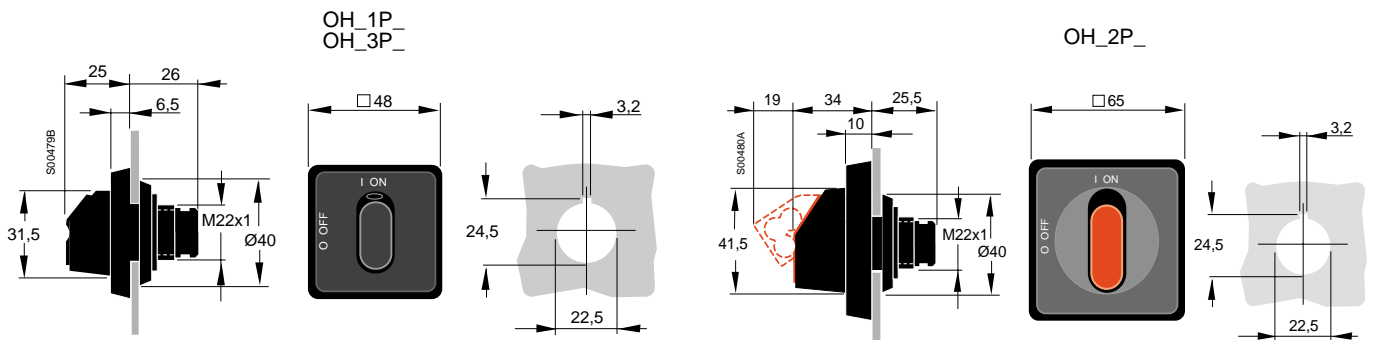
Dimension Drawings

Handles

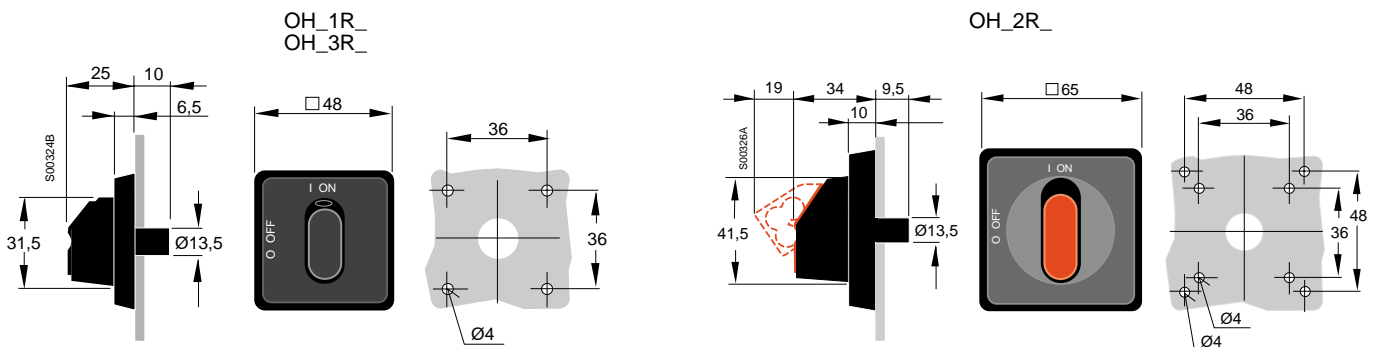
Handles for base and DIN-rail mounting switches (shaft mounting)



Handles for door mounting switches (snap-on mounting)



Handles for door mounting switches (screw-mounting)

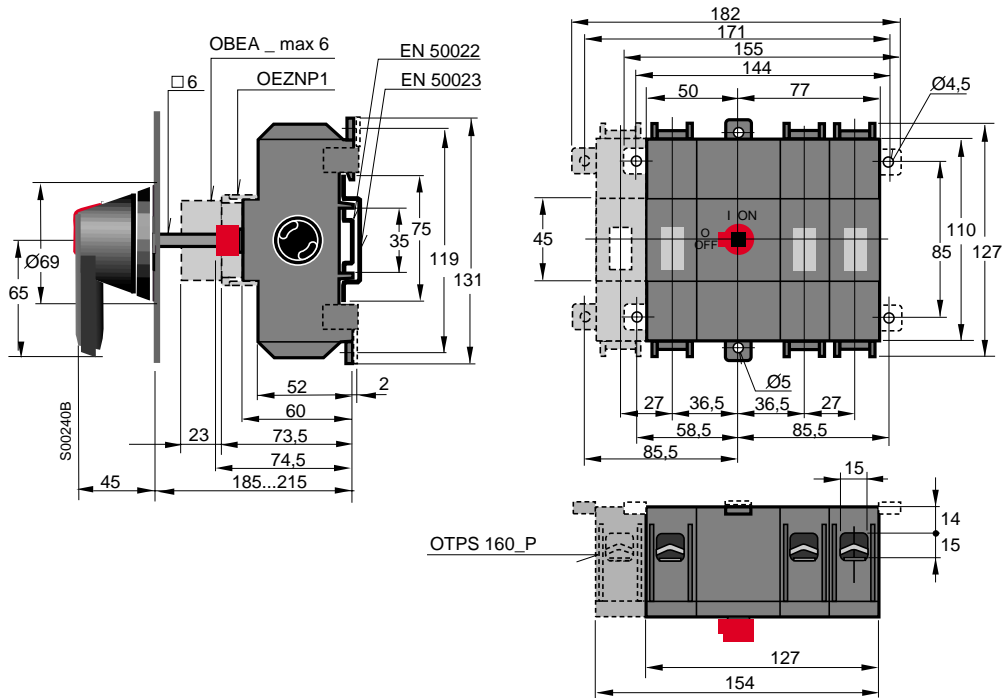


SwitchLine

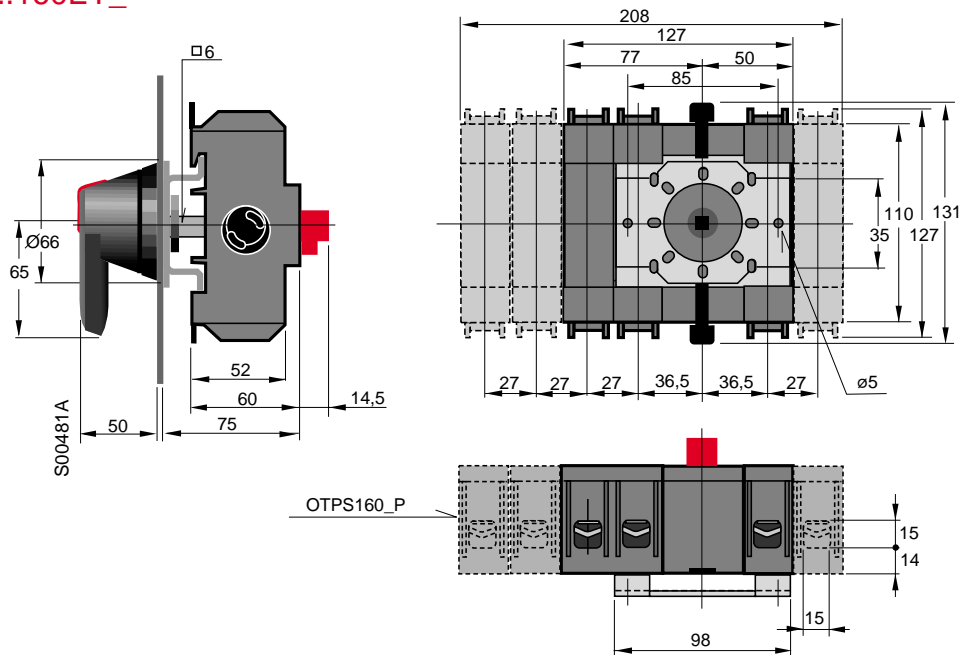
Dimension Drawings

OT 125A...160

OT 125A...160E3, -4



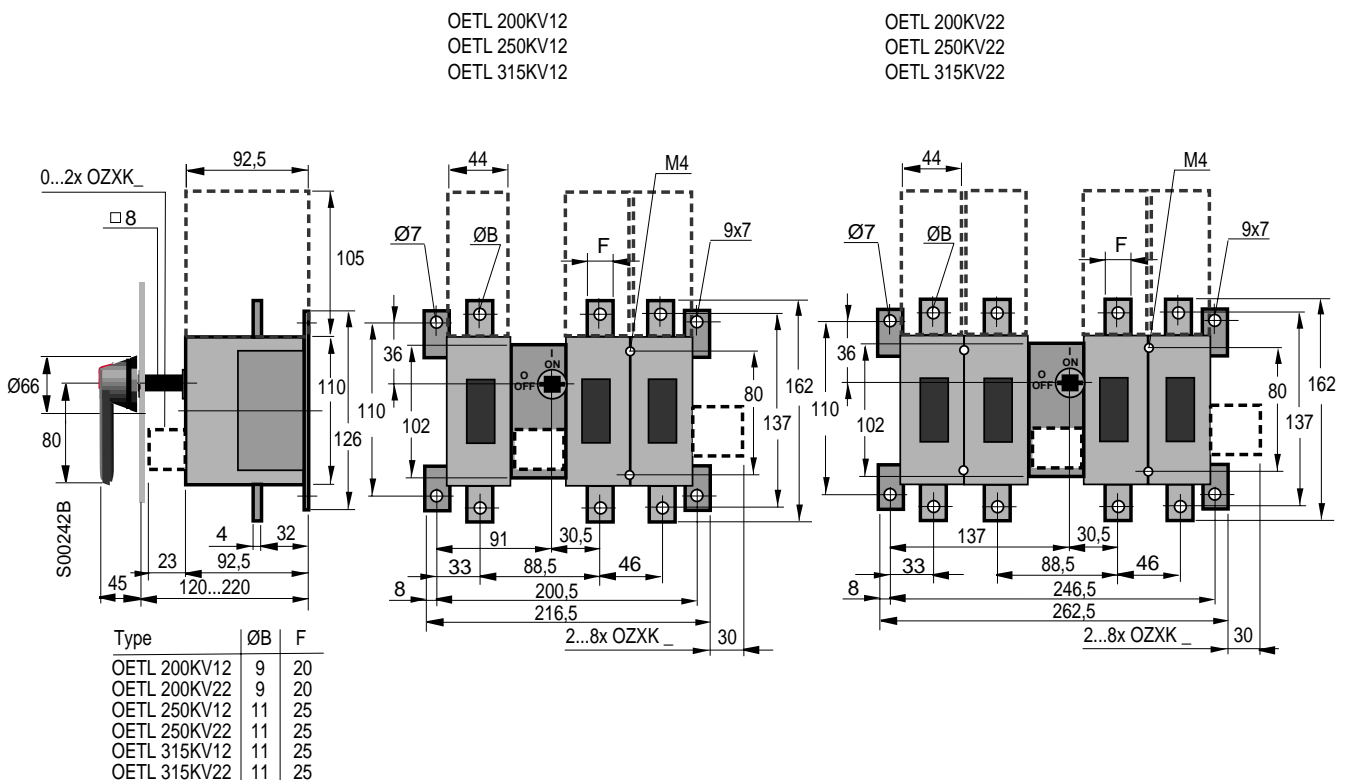
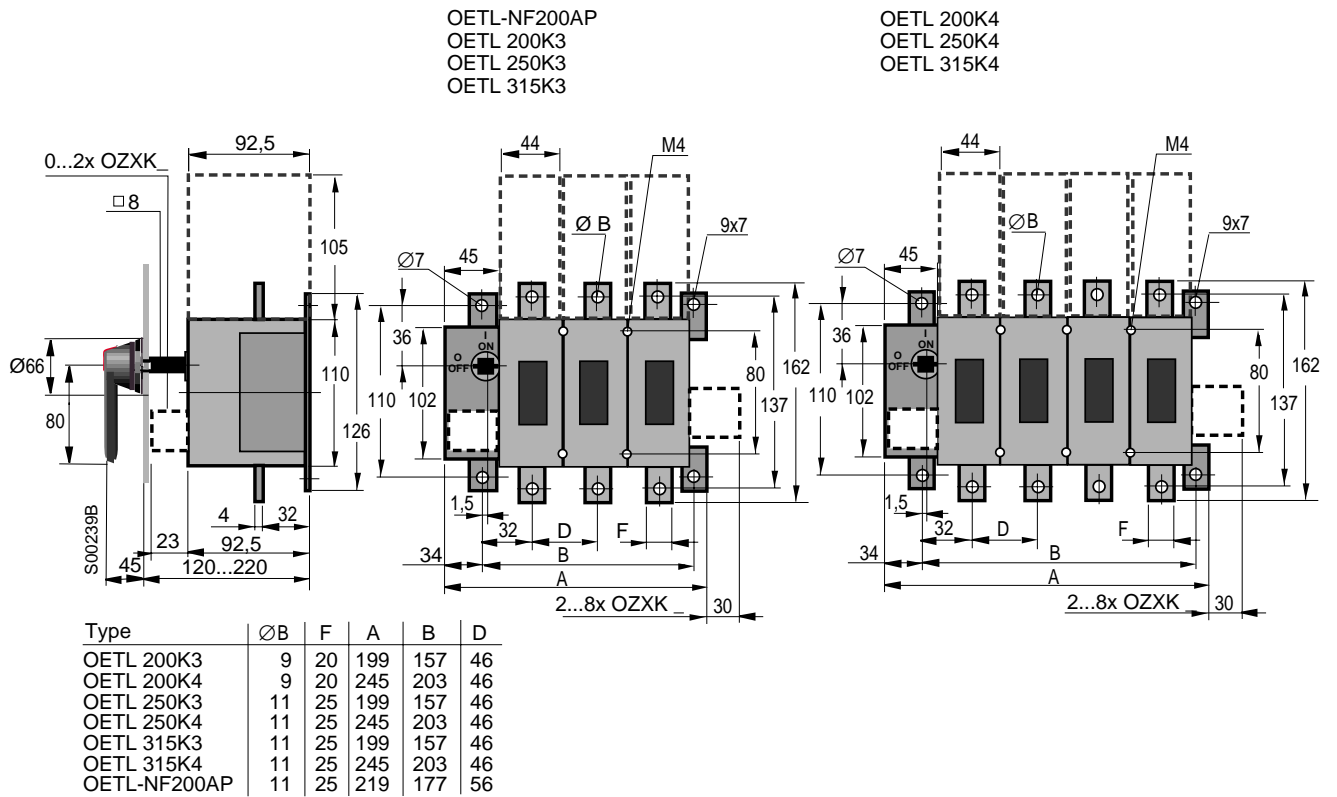
OT 125AT...160ET_



SwitchLine

Dimension Drawings

OETL 200...315

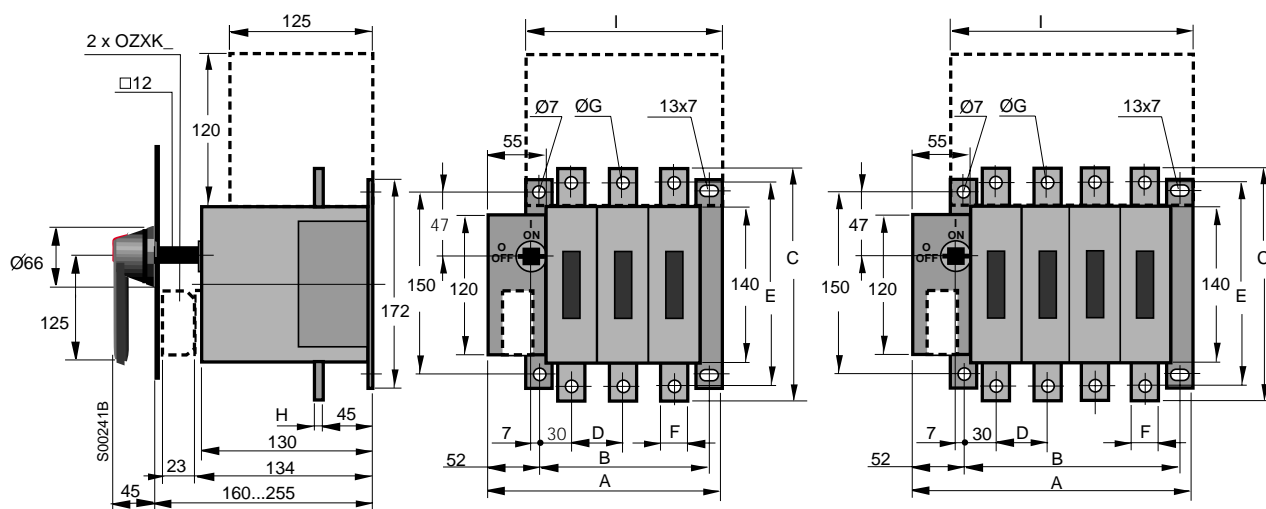


SwitchLine

Dimension Drawings

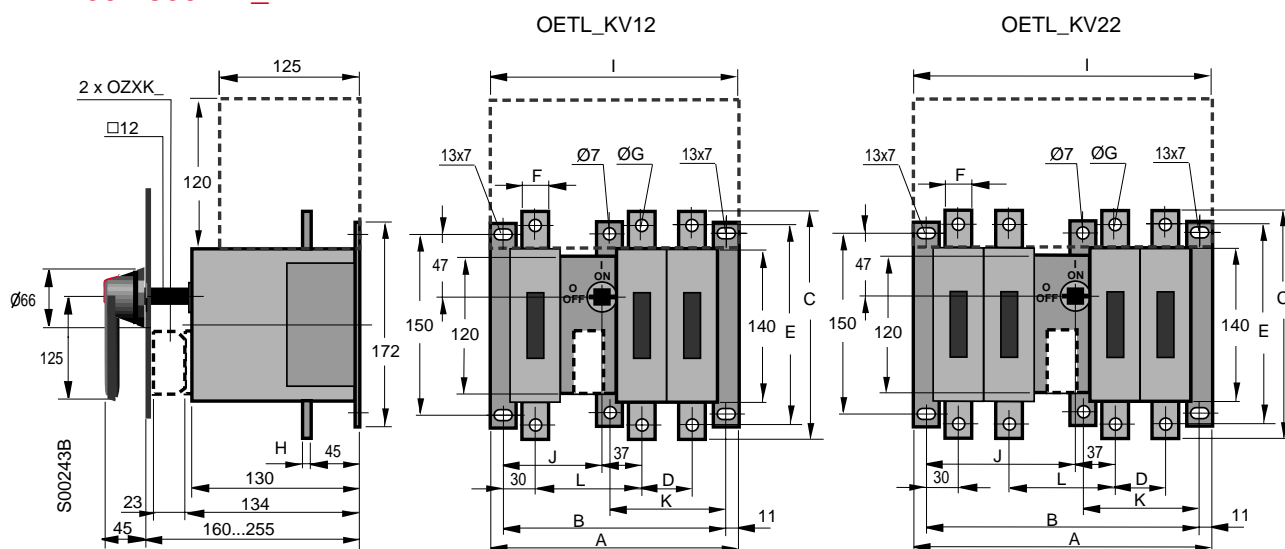
OETL 400...800

OETL 400...800



OETL_D_,-K_	A	B	C	D	E	F	G	H	I
OETL 400D1	216	153	205	46	180	25	11	4	175
OETL 400D2	262	199	205	46	180	25	11	4	175
OETL 630K3	248	185	223	62	185	40	13,5	5	207
OETL 630K4	310	247	223	62	185	40	13,5	5	269
OETL 800K3	264	201	223	70	185	40	13,5	5	223
OETL 800K4	334	271	223	70	185	40	13,5	5	293
OETL-NF 400P	260	199	216	70	185	40	13,5	5	219
OETL-NF 600AP	304	243	216	90	185	40	13,5	5	263

OETL 400...800 KV_

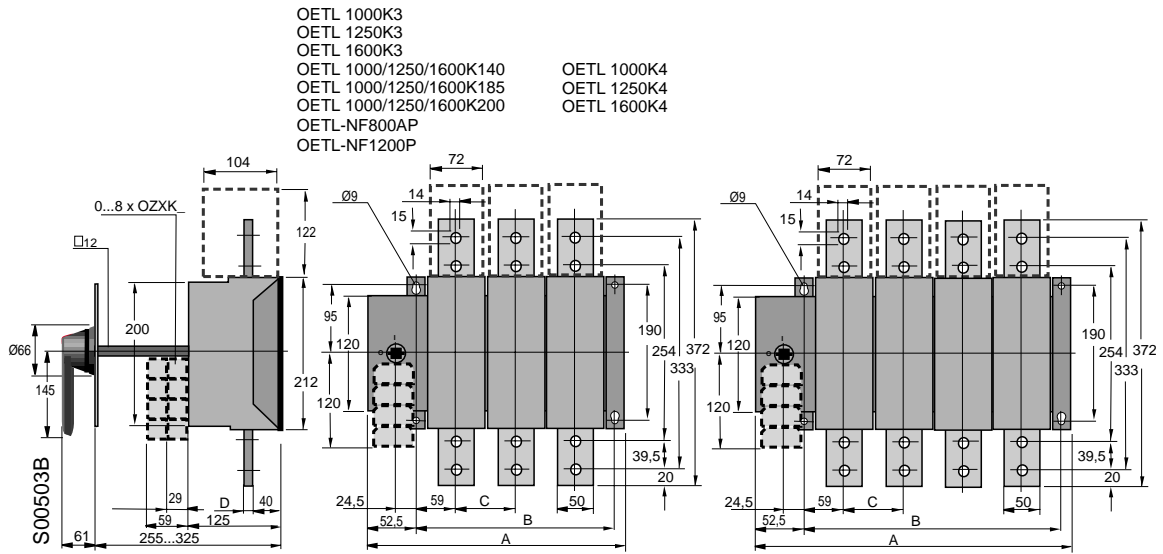


OETL KV	A	B	C	D	E	F	G	H	I	J	K	L
OETL 400KV12	228	206	205	46	180	25	11	4	228	94	104	101
OETL 400KV22	274	252	205	46	180	25	11	4	274	140	104	101
OETL 630KV12	260	238	223	70	185	40	13,5	5	260	102	128	109
OETL 630KV22	330	308	223	70	185	40	13,5	5	330	172	128	109
OETL 800KV12	260	238	223	70	185	40	13,5	5	260	102	128	109
OETL 800KV22	330	308	223	70	185	40	13,5	5	330	172	128	109

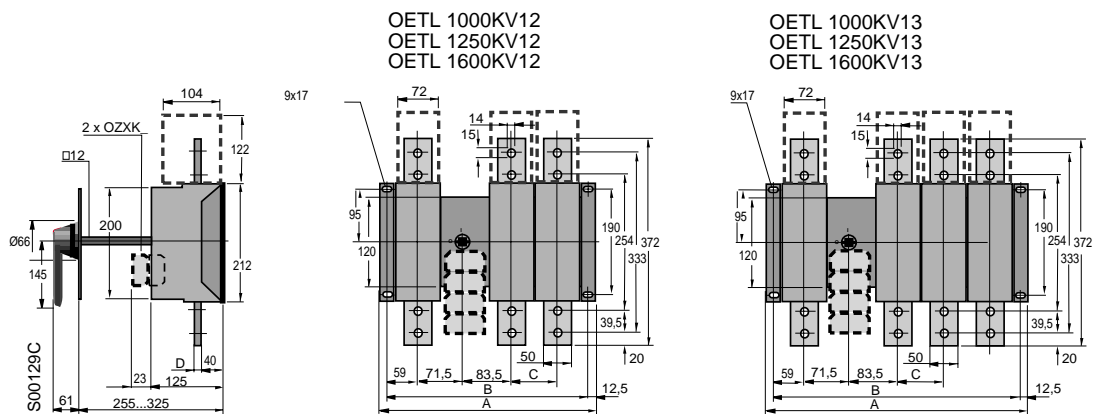
SwitchLine

Dimension Drawings

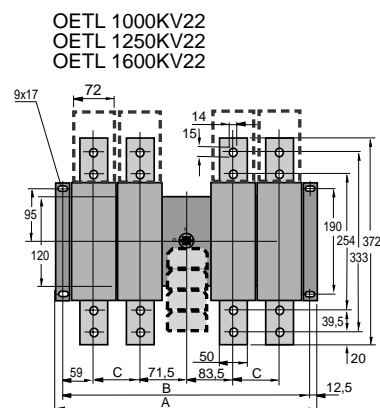
OETL 1000...1600



OETL 1000K3...OETL 1600K4...OETL-NF800AP...OETL-NF1200P	A	B	C	D
OETL 1000K3	343	278	80	12
OETL 1000K4	423	358	80	12
OETL 1250K3	343	278	80	12
OETL 1250K4	423	358	80	12
OETL 1600K3	363	298	90	16
OETL 1600K4	453	388	90	16
OETL 1000/1250/1600K140	461	396	139	16
OETL 1000/1250/1600K185	555	490	186	16
OETL 1000/1250/1600K200	583	518	200	16
OETL-NF 800AP	363	298	90	12
OETL-NF 1200P	363	298	90	16



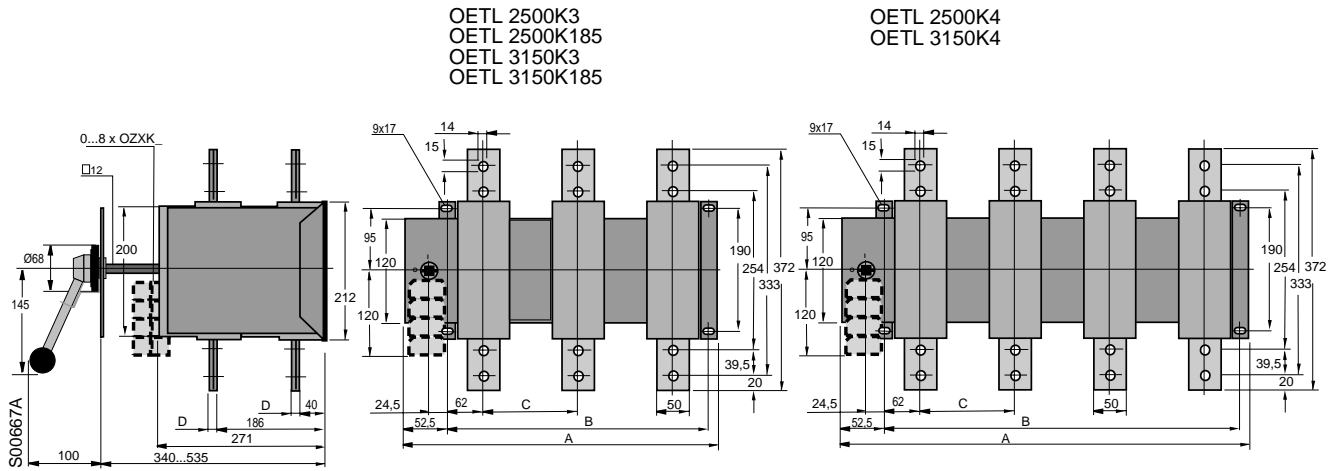
OETL 1000KV12...OETL 1600KV22	A	B	C	D
OETL 1000KV12	378	353	80	12
OETL 1000KV13	458	433	80	12
OETL 1000KV22	458	433	80	12
OETL 1250KV12	378	353	80	12
OETL 1250KV13	458	433	80	12
OETL 1250KV22	458	433	80	12
OETL 1600KV12	388	363	90	16
OETL 1600KV13	478	453	90	16
OETL 1600KV22	478	453	90	16



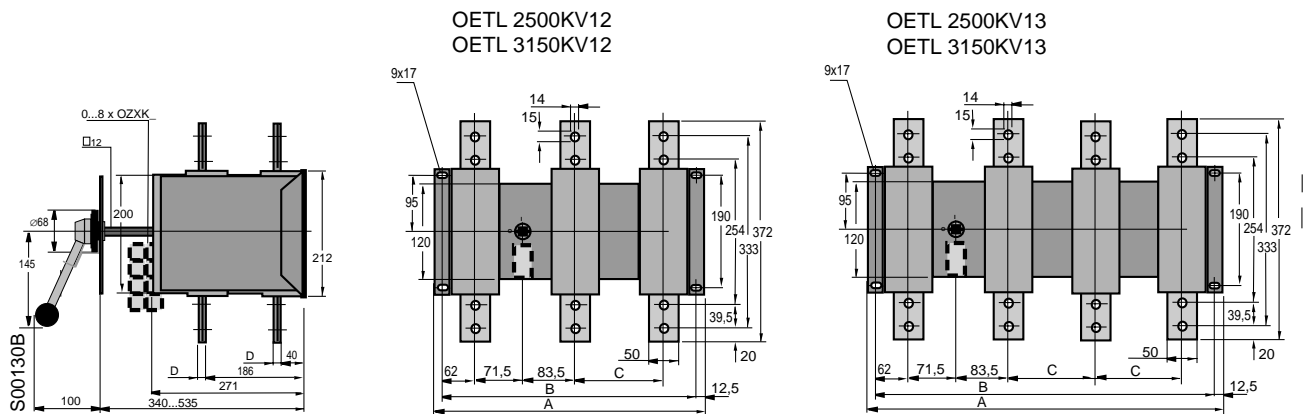
SwitchLine

Dimension Drawings

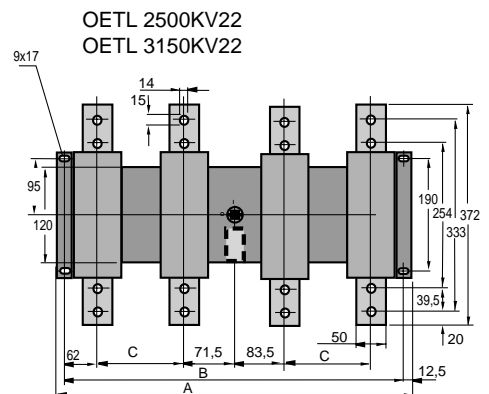
OETL 2500...3150



OETL 2500K3...OETL3150K4	A	B	C	D
OETL 2500K3	468	403	139	16
OETL 2500K185	562	497	186	16
OETL 2500K4	607	542	139	16
OETL 3150K3	468	403	139	16
OETL 3150K185	562	497	186	16
OETL 3150K4	607	542	139	16

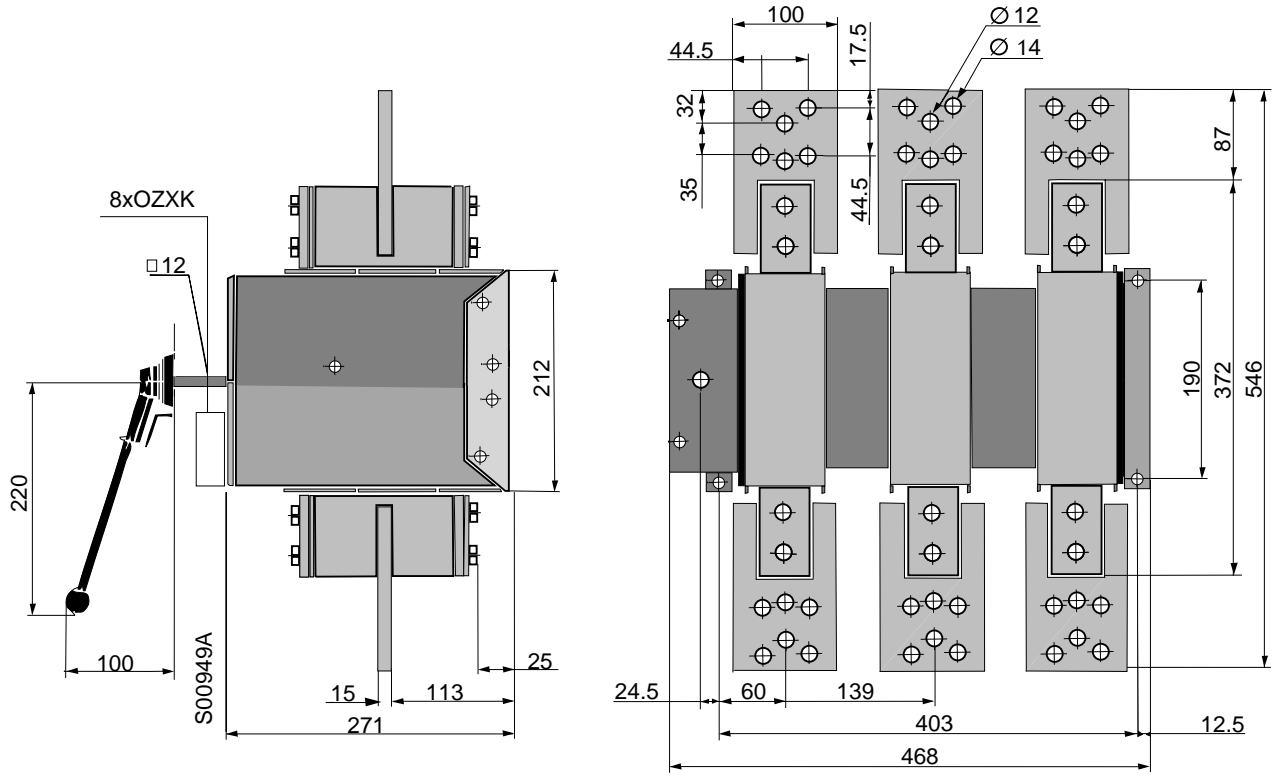


OETL 2500KV12...OETL3150KV22	A	B	C	D
OETL 2500KV12	443	418	139	16
OETL 2500KV13	582	557	139	16
OETL 2500KV22	582	557	139	16
OETL 3150KV12	443	418	139	16
OETL 3150KV13	582	557	139	16
OETL 3150KV22	582	557	139	16



SwitchLine
Dimension Drawings
OETL-NF1600...2000

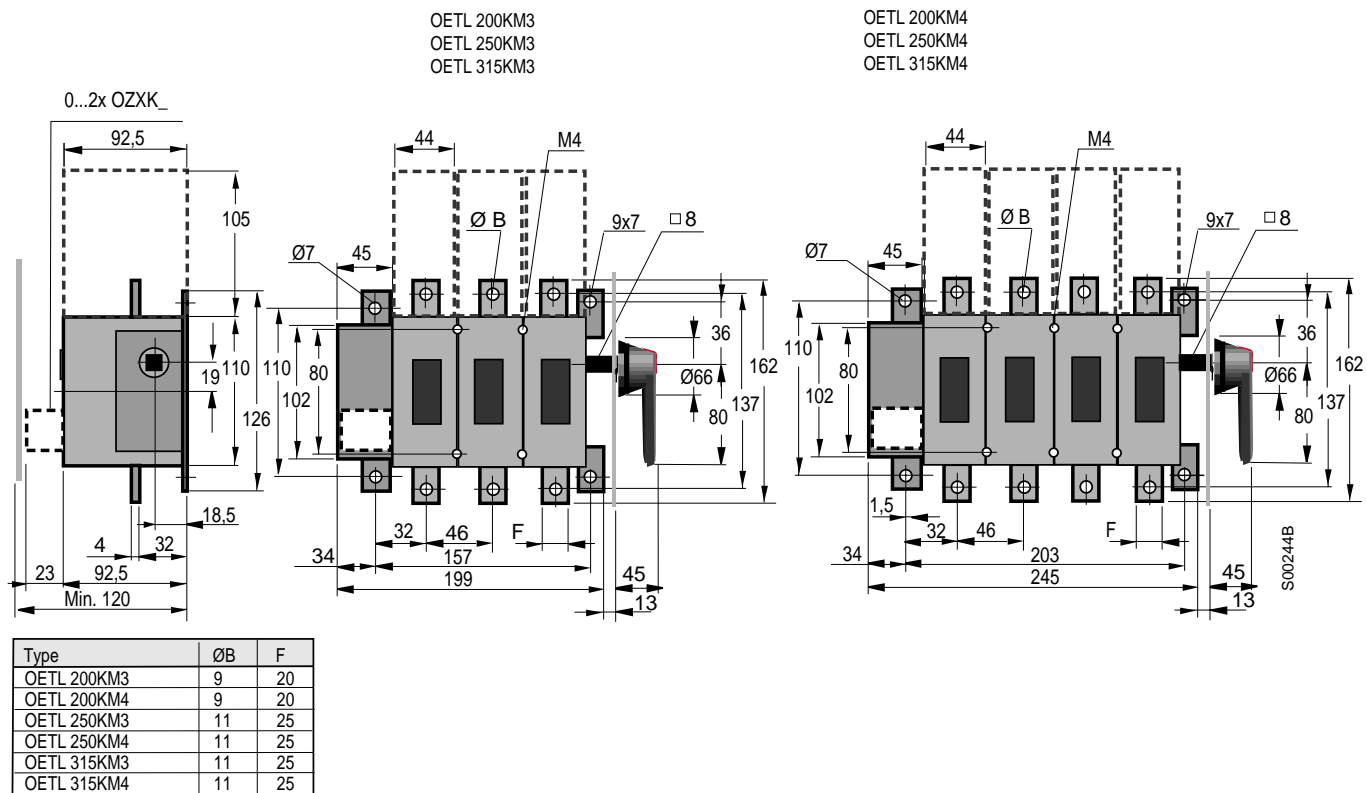
OETL-NF1600P
OETL-NF2000P



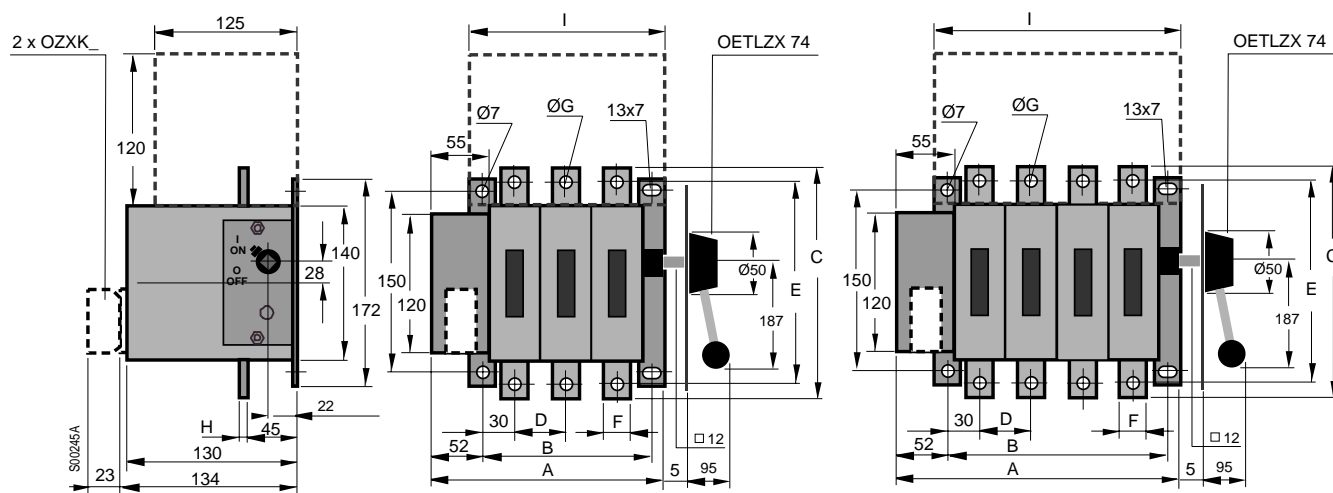
SwitchLine

Dimension Drawings, Side Operated Switches

OETL 200 ... 800



OETL 400...800_M_



OETL DM, -KM	A	B	C	D	E	F	G	H	I
OETL 400DM1	220	153	205	46	180	25	11	4	175
OETL 400DM4	266	199	205	46	180	25	11	4	175
OETL 630KM3	252	185	223	62	185	40	13,5	5	207
OETL 630KM4	314	247	223	62	185	40	13,5	5	269
OETL 800KM3	268	201	223	70	185	40	13,5	5	223
OETL 800KM4	338	271	223	70	185	40	13,5	5	293

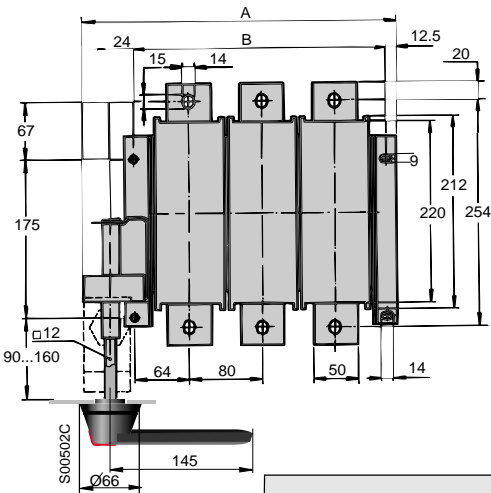
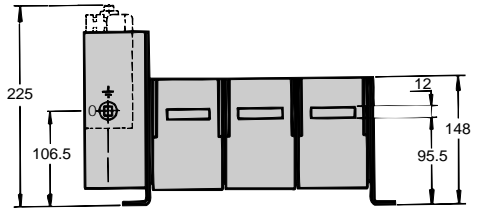
SwitchLine

Dimension Drawings

Earthing Switches

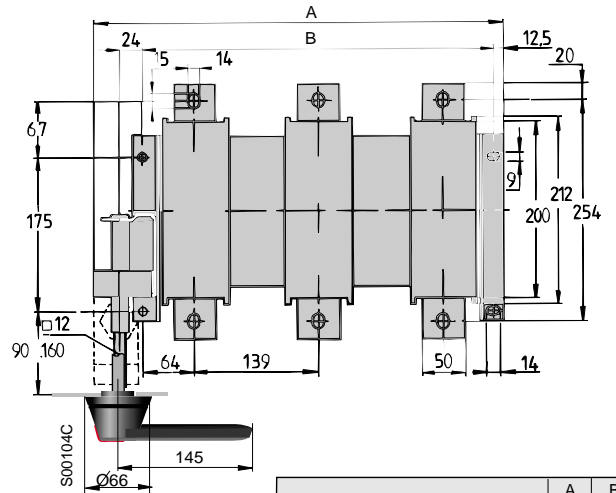
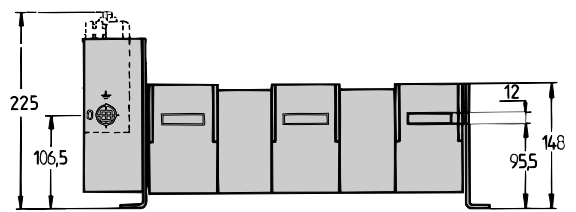
Earthing switches

OETL 1250 M3



	A	B
OETL 1250 M 3	348	283
OETL 1250 M 4	428	363

OETL 1250 M140_

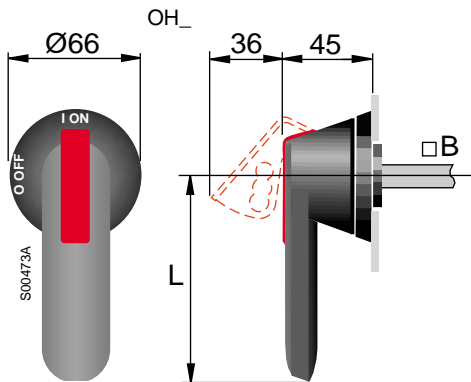


	A	B
OETL 1250 M 140	466	401
OETL 1250 M4 140	605	540

SwitchLine

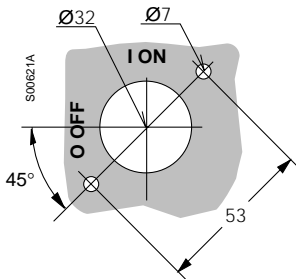
Dimension Drawings, Accessories Handles

Plastic handles

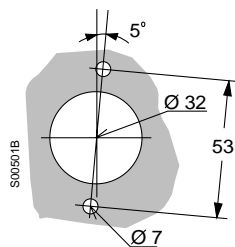


Handle type	Handle length (mm) L	Shaft (mm) B
OH_45J5	45	5
OH_65J5	65	5
OH_45J6	45	6
OH_65J6	65	6
OH_80J6	80	6
OH_65J8	65	8
OH_80J8	80	8
OH_125J12	125	12
OH_145J12	145	12
OH_175J12	175	12
OH_275J12	275	12

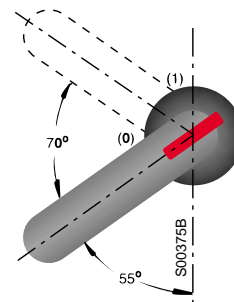
Door drilling for OH_-handles:



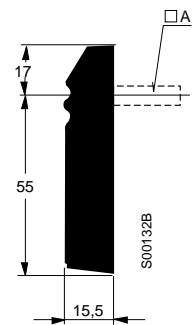
Door drilling for side operated switches OH_145J12E0025S:



OH_145J12E0025S (for side-operated switches 400...800A)

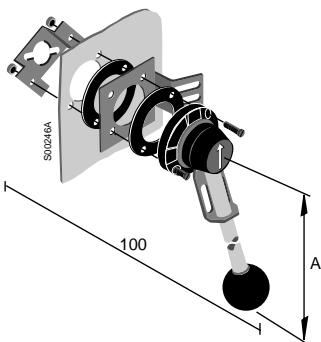


YAST 1; A = 6 mm

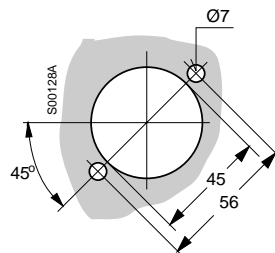


Metallic handles

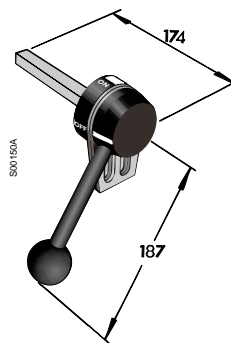
YASDA 6 (A = 320 mm)
YASDA 7, 8, 21 (A = 220 mm)
YASDA 24 (A = 145 mm)



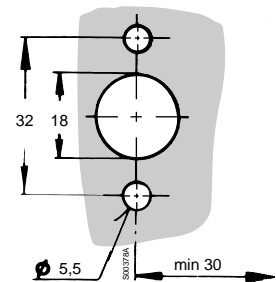
Door drilling for YASDA_:



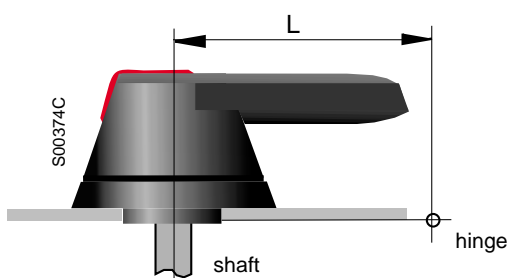
OETLZX 74 (for side-operated switches 400...800 A)



Door drilling for OETLZX 74



Minimum distance L, between the hinge and the rotating shaft



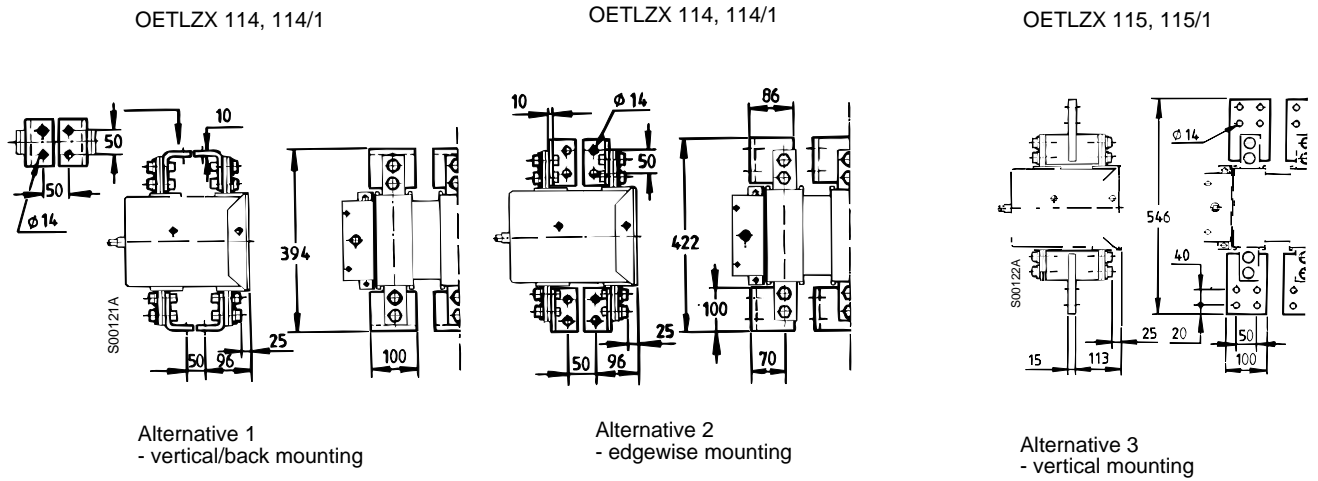
Switch size	Length L [mm]	Handle type
OT 16...125	75	OH_1, OH_2, OH_3
OT125A...160	60	OH_65J_
OETL 200...315	80	OH_80J_
OETL 400...1600	150	OH_145J_
OETL 2500...3150	220	YASDA 7, 8 OH_275J12

SwitchLine

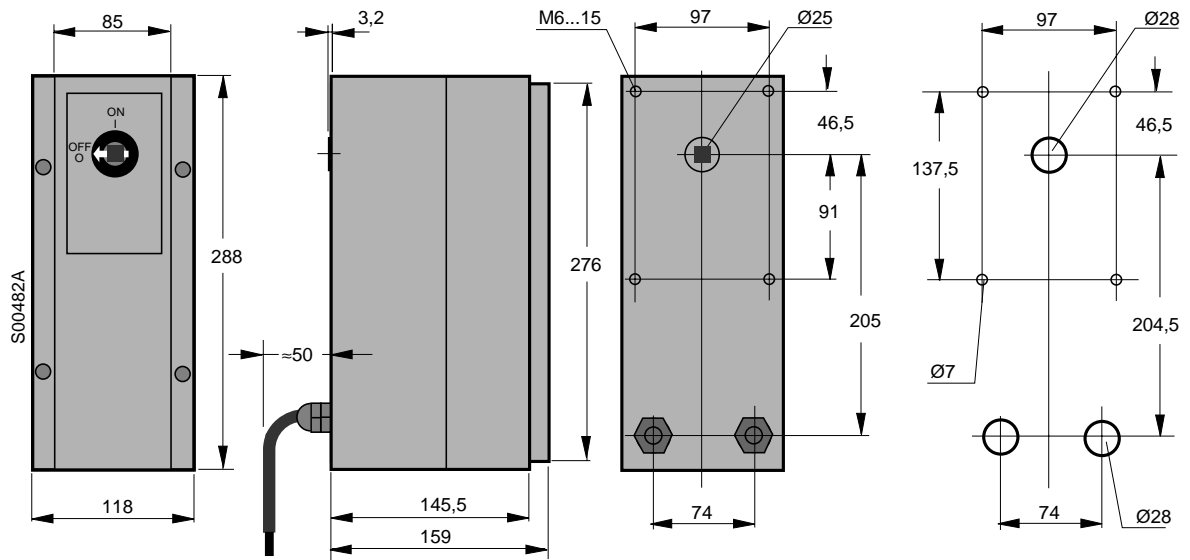
Dimension Drawings, Accessories

Connection Busbars, Motor Operator

Connection busbars for OETL 2500 and OETL 3150



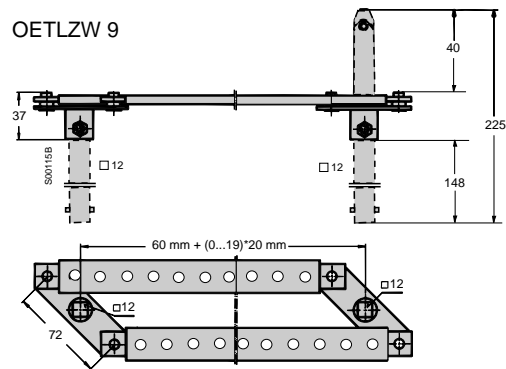
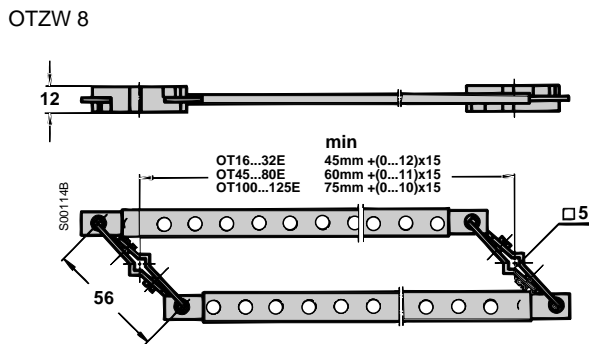
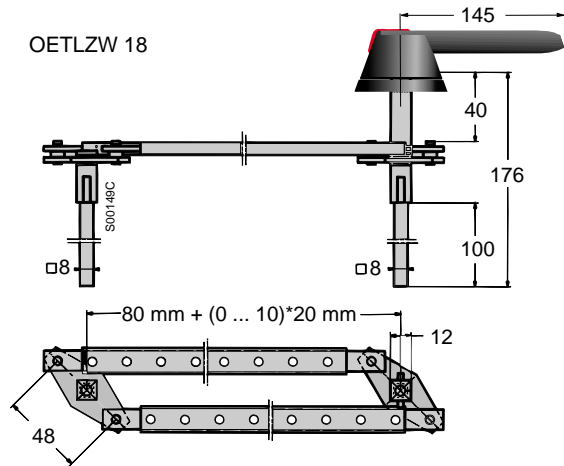
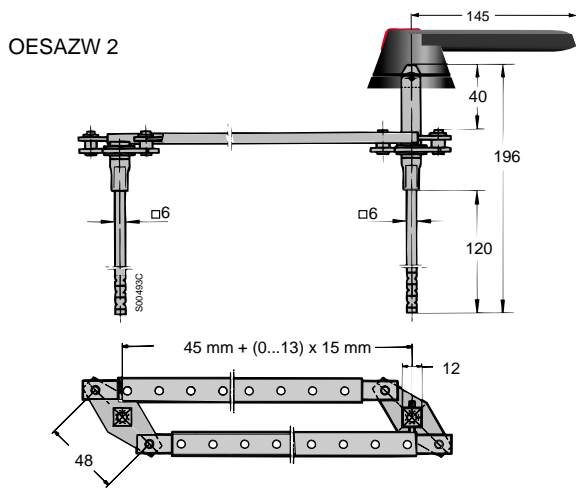
Motor operator OEMO



SwitchLine

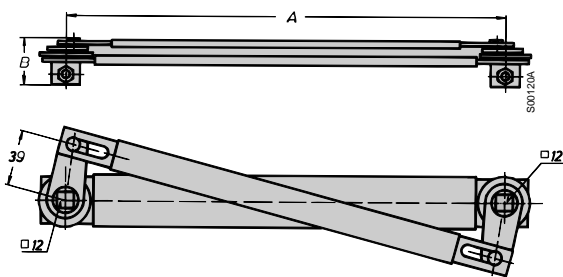
Dimension Drawings, Accessories Conversion Kits for the Combination Switches

6 and 8-pole switches



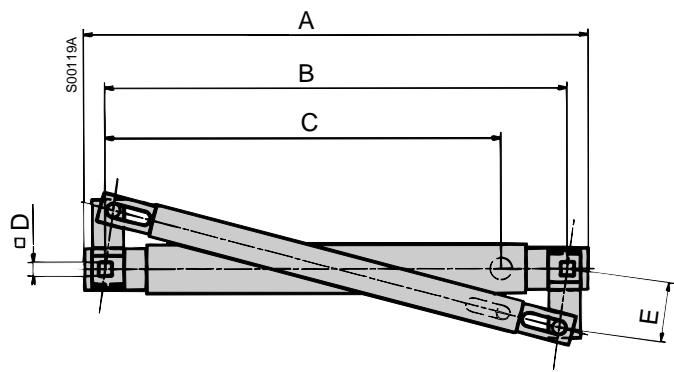
Mechanical interlock

OETLZW 3, 14, 15



	A	B
OETLZW 3	300	31
OETLZW 14	250	31
OETLZW 15	500	36

OTZW 10
OETLZW 19
OTZW 24



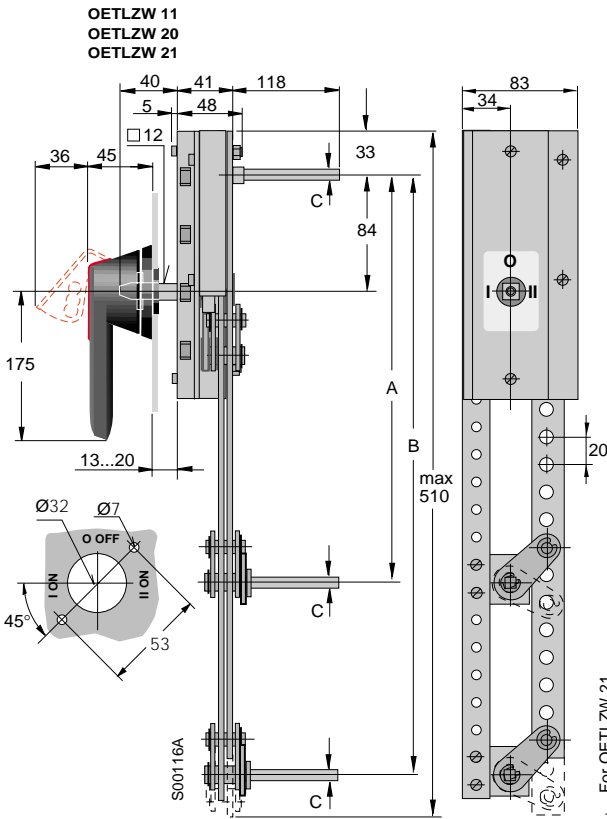
Type	A	B	C	D	E
OTZW10	206	190	-	6	30
OETLZW19	305	280	240	8	36
OTZW24	114	100	-	5	25

SwitchLine

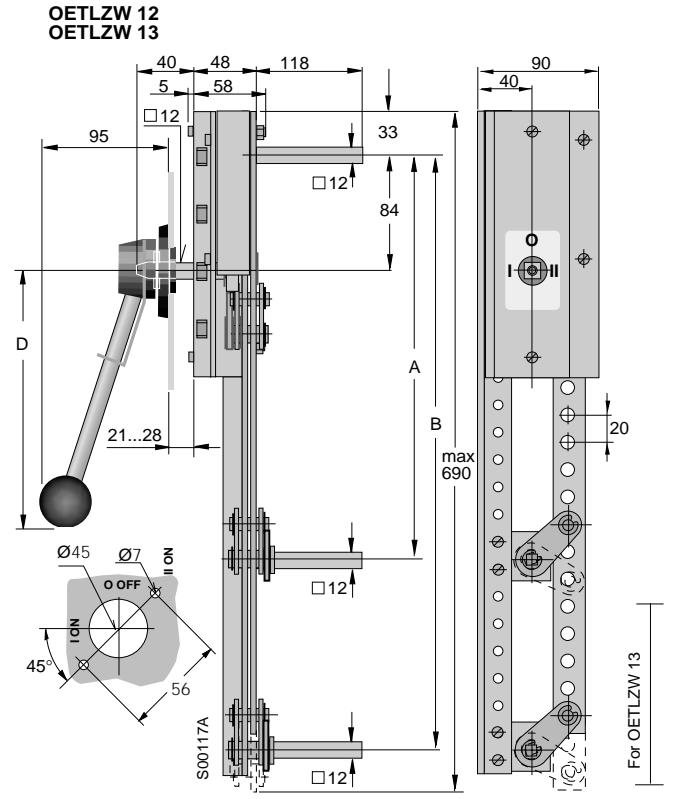
Dimension Drawings, Accessories

Conversion Kits for the Combination Switches

Change-over switches and by-pass switches

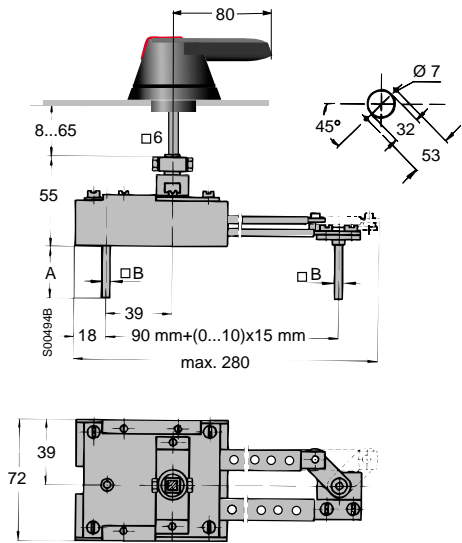


	A	B	C
OETLZW 11	210+(0...11)x20 mm		12
OETLZW 20	210+(0...18)x20 mm		8
OETLZW 21	210+(0...9)x20 mm	210+(0...9)x20 mm	8



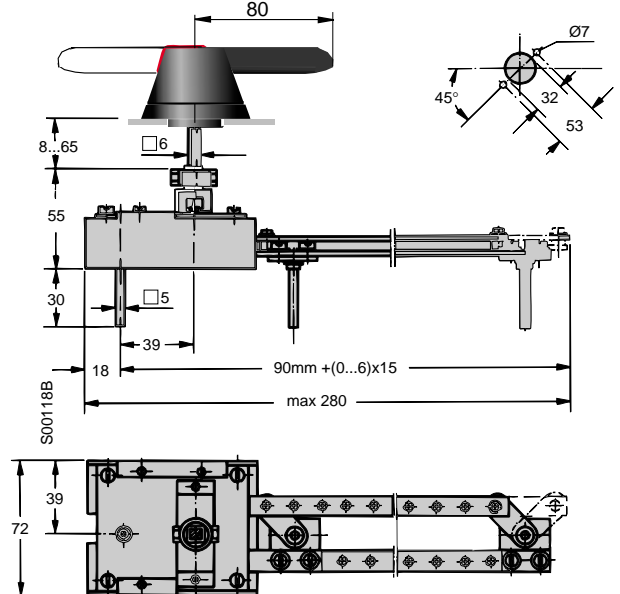
	A	B	D
OETLZW 12	210+(0...18)x20 mm		220 mm
OETLZW 13	210+(0...18)x20 mm	250+(0...18)x20 mm	320 mm

OTZW 6, OESAZW 1



	A	B
OESAZW 1	116	6
OTZW 6	30	5

OTZW 17

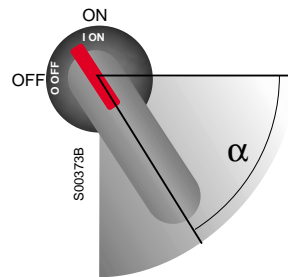
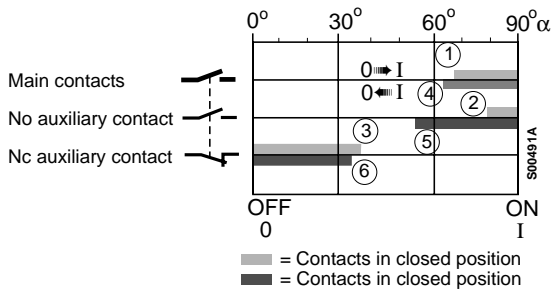


SwitchLine

Contact Functions

ON and OFF-Functions of Auxiliary and Main Contacts

ON and OFF-Functions of Auxiliary and Main Contacts



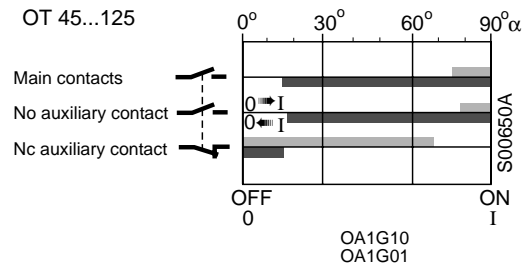
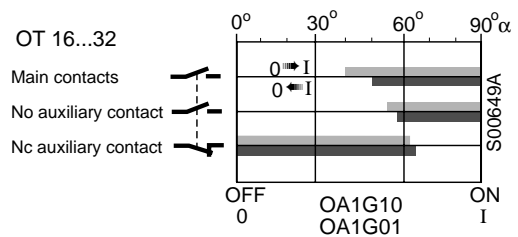
CLOSING

1. Main contacts close
2. No auxiliary contacts close
3. Nc auxiliary contacts open

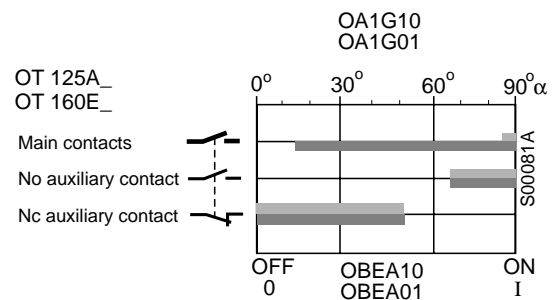
OPENING

4. Main contacts open
5. No auxiliary contacts open
6. Nc auxiliary contacts close

Load Break Switch	Auxiliary contact	Contact configuration
OT 16...125E_	OA1G10	1no
	OA1G01	1nc



Load Break Switch	Auxiliary contact	Contact configuration
OT 125A_ OT 160E_	OBEA 10+ OEZNP 1	1no
	OBEA 01+ OEZNP 1	1nc



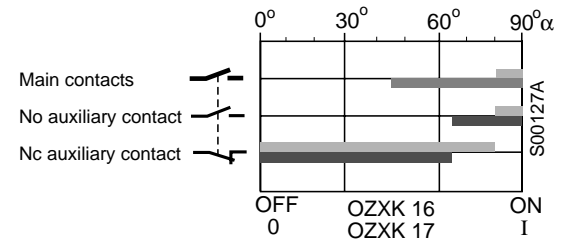
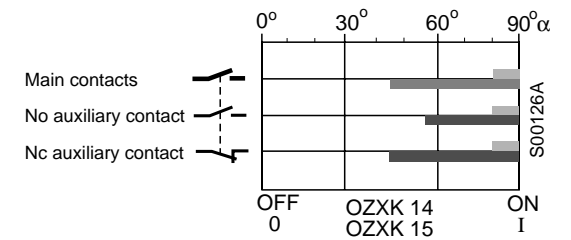
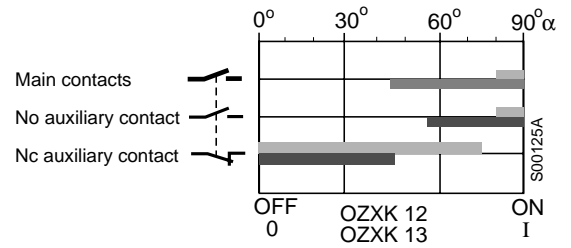
SwitchLine

Contact Functions

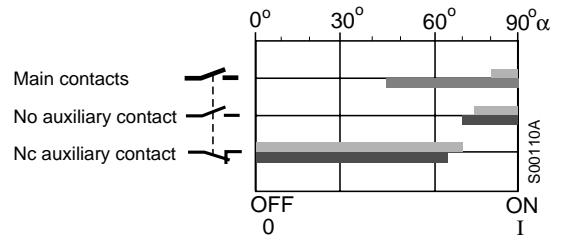
ON and OFF-Functions of Auxiliary and Main Contacts

ON and OFF-Functions of Auxiliary and Main Contacts (cont.)

Load Break Switch	Auxiliary contact	Contact configuration
OETL 200 K_ _{...} , OETL 250 K_ _{...} , OETL 315 K_ _{...}	OZ XK 12 OZ XK 13 OZ XK 14 OZ XK 15 OZ XK 16 OZ XK 17	1no+1nc 2no+2nc 2no 4no 4no+4nc 8no



Load Break Switch	Auxiliary contact	Contact configuration
OETL 400_ _{...} , OETL 630 K_ _{...} , OETL 800 K_ _{...}	OZ XK 1 OZ XK 2 OZ XK 3 OZ XK 4 OZ XK 5 OZ XK 6	1no+1nc 2no+2nc 4no+4nc 2no 4no 8no



Load Break Switch	Auxiliary contact	Contact configuration
OETL 1000 K_ _{...} , OETL 1250 K_ _{...} , OETL 1600 K_ _{...} , OETL 2500 K_ _{...} , OETL 3150 K_ _{...}	OZ XK 1 OZ XK 2 OZ XK 3 OZ XK 4 OZ XK 5 OZ XK 6	1no+1nc 2no+2nc 4no+4nc 2no 4no 8no

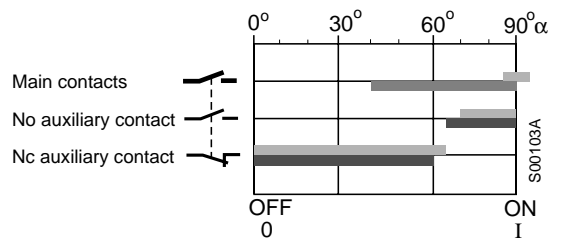




ABB Control Oy

P.O. Box 622
FIN-65101 VAASA, Finland
Telephone +358 10 22 4000
Telefax +358 10 22 45708
<http://www.abb.com/lvswitches>

The technical data and dimensions are valid at the time of printing. We reserve the right to subsequent alterations.



OT_OETL_1GB_01_05
1SCC301001C0201
Vaasa Graphics Oy, Vaasa Finland