

ENCLOSURES



www.bchindia.com

PRICE LIST

Effective : 10th May 2022



BCH

BCH
ELECTRIC
LIMITED



Modern facilities at Faridabad & Rudrapur

Our Strengths

- ◆ State-of-the-art product development and R&D
- ◆ Modern manufacturing facilities
- ◆ Tool room with latest facilities
- ◆ Serving customers for five decades
- ◆ Presence in ~50 locations
- ◆ 650 channel partners
- ◆ ISO 14001:2015 and ISO 9001:2015 certified company

Core Values

- ◆ Integrity
- ◆ Nurturing People
- ◆ Commitment to Customers
- ◆ Striving for Excellence
- ◆ Long Term Thinking

Quality Policy

We as a member of BCH Electric Limited manufacturer of Low Voltage Switchgear & Controlgear products, are fully committed to provide Quality products and service in compliance with applicable Statutory and Regulatory requirements, to meet or exceed the customer need and expectations through -

- ◆ Continual improvement
- ◆ Involvement of employees
- ◆ Setting Quality objectives
- ◆ Training and development of employees

Health & Safety Policy

We as a member of BCH Electric Limited manufacturer of Low Voltage Switchgear & Controlgear products, are fully committed to conduct Business in compliance to applicable Health & Safety legislation and regulation.

We shall continually improve through -

- ◆ Provide Safe & Healthy working conditions for the prevention of work related injury and ill health.
- ◆ Develop & maintain the Health & Safety objectives & targets and conduct health & safety programs for achieving the objectives and target.
- ◆ The prevention of accidents through the identification, assessment and elimination of workplace hazards and the promotion of health & safety awareness among its employees and contractors.
- ◆ Encourage employee's participation and consultation in matters affecting the health, safety and well being of our people and seek suggestions from our employees of ways in which health, safety & well being can be furthered.

The Health & safety policy is publicly available on request.

Environmental Policy

We as a member of BCH Electric Limited manufacturer of Low Voltage Switchgear & Controlgear products, are fully committed to conduct Business in compliance to applicable Environmental legislation and regulation.

We shall continually improve through -

- ◆ Provide a framework for setting and reviewing environmental objectives and targets.
- ◆ Regularly review the impact of our activities on environment and strive to reduce the pollution/waste.
- ◆ Involve employees in our environmental program and provide necessary training to enable them to discharge their responsibilities towards environment management.
- ◆ Sustain the program of continual improvement in environment in environmental performance incorporating suitable metrics and monitoring.

The Environment policy is publicly available on request.

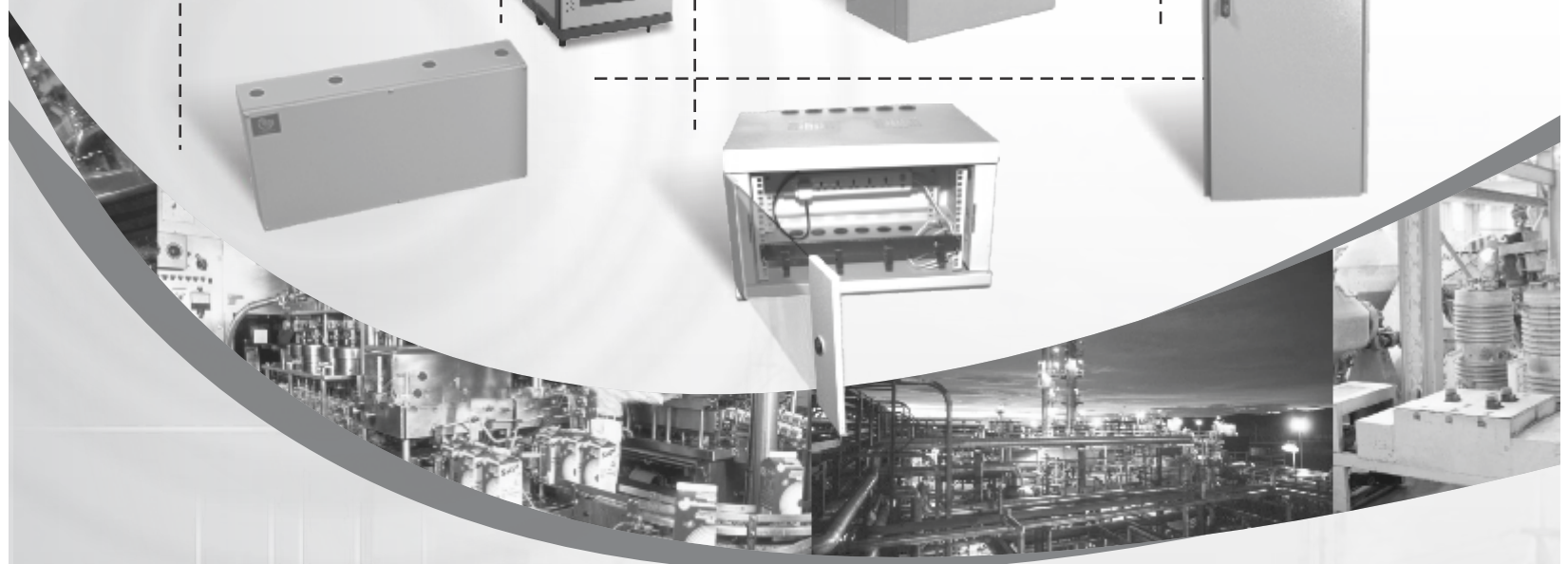
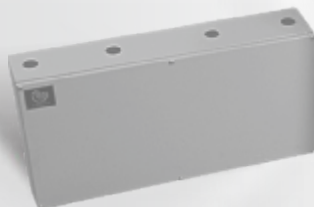


www.bchindia.com

Enclosure Systems



- Bhartia Boxes IP: 55, IP: 66
- 'BCH-SS' (Stainless Steel) Boxes
- Terminal Boxes IP:55 & IP:66
- Techno - Modular Enclosures
- Smartline - Modular Enclosures
- TEOS Plus Enclosure
- TCE Series Enclosure
- Compartmentalized Enclosure (Fixed & Draw-out)
- IT Racks - 19" and ETSI Racks



Enclosure Systems BCH

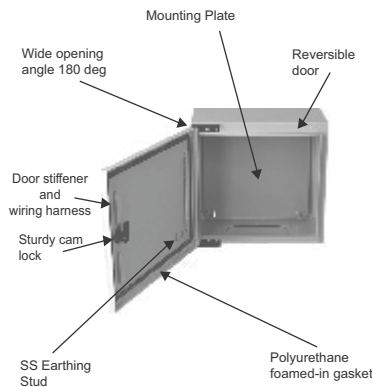
Bhartia Boxes

HSN Code : 8538



- 51 Different Versions
- Single/Double door versions
- Min. Size : 200 X 200 X 150
- Max Size : 1200 X 1400 X 400
- Degree of protection IP55/IP66/IK10
- CE Certified

Double door version



Technical Particulars (BHARTIA BOXES)

- Fabricated from 1.2mm / 1.6mm CRCA sheet steel (Sizes upto BIL-50180 made from 1.2mm CRCA, beyond this using 1.6mm CRCA)
 - Foamed-in PU gasket
 - Hinged door, interchangeable LHS / RHS, opening angle 180 deg for standard hinge & 120 deg for concealed hinge in bigger sizes.
 - Degree of protection IP55/IP66/IK10
 - CE Certified
 - Cable gland plate 2mm thick provided at bottom
 - Cam locking arrangement
 - Powder coated to RAL : 7035 structure finish
 - Mounting Plate made up of 2.0mm Galvanised steel
- Note : Cutout charges will be extra
: Wall mounting bracket set is an additional accessory (for Bhartia Box & Terminal box it is not a part of standard packing)

HSN Code : 8538

Type	Cat. No.	MOQ	List Price [₹]
Set of Wall Mounting bracket (small)	BIL-WM-S	1	180
Set of Wall Mounting bracket (big)	BIL-WM-B	1	200
Set of Wall Mounting bracket Kit 20mm	BIL-WM-H20	1	300

Note :

- * Set of wall mounting bracket (small) is suitable for all range of terminal boxes and Bhartia boxes upto size : 400x500x200mm.
- * Set of wall mounting bracket (big) is suitable for Bhartia boxes beyond size : 400x500x200mm.

Effective from 10.05.2022

Type	Size (WxHxD) mm	IP-55 Range			IP-66 Range	
		MOQ Nos.	Cat. No.	List Price [₹]	Cat. No.	List Price [₹]
SINGLE DOOR BOX	200x200x150	1	BIL-50000	2950	BIL-60000	3095
SINGLE DOOR BOX	200x300x150	1	BIL-50010	3375	BIL-60010	3445
SINGLE DOOR BOX	250x300x150	1	BIL-50020	3505	BIL-60020	3615
SINGLE DOOR BOX	300x300x150	1	BIL-50030	3780	BIL-60030	3930
SINGLE DOOR BOX	300x300x200	1	BIL-50050	4030	BIL-60050	4265
SINGLE DOOR BOX	300x400x150	1	BIL-50060	4200	BIL-60060	4425
SINGLE DOOR BOX	300x400x200	1	BIL-50080	4715	BIL-60080	4745
SINGLE DOOR BOX	400x300x150	1	BIL-50090	4115	BIL-60090	4365
SINGLE DOOR BOX	400x300x200	1	BIL-50110	4615	BIL-60110	4685
SINGLE DOOR BOX	400x400x150	1	BIL-50120	4715	BIL-60120	4800
SINGLE DOOR BOX	400x400x200	1	BIL-50140	4995	BIL-60140	5150
SINGLE DOOR BOX	400x500x150	1	BIL-50150	5320	BIL-60150	5600
SINGLE DOOR BOX	400x500x200	1	BIL-50170	5640	BIL-60170	5795
SINGLE DOOR BOX	500x500x200	1	BIL-50180	6645		
SINGLE DOOR BOX	400x600x200	1	BIL-50190	6645	BIL-60190	6740
SINGLE DOOR BOX	500x600x200	1	BIL-50210	7625	BIL-60210	7855
SINGLE DOOR BOX	500x700x200	1	BIL-50220	8670		
SINGLE DOOR BOX	500x700x300	1	BIL-50230	9975		
SINGLE DOOR BOX	600x400x200	1	BIL-50240	6770	BIL-60240	7025
SINGLE DOOR BOX	600x400x300	1	BIL-50250	8705		
SINGLE DOOR BOX	600x500x200	1	BIL-50260	7855	BIL-60260	8490
SINGLE DOOR BOX	600x600x200	1	BIL-50270	8175		
SINGLE DOOR BOX	600x600x300	1	BIL-50280	9825		
SINGLE DOOR BOX	600x700x200	1	BIL-50290	9850		
SINGLE DOOR BOX	600x800x200	1	BIL-50300	9880		
SINGLE DOOR BOX	600x800x300	1	BIL-50320	11300		
SINGLE DOOR BOX	600x1000x200	1	BIL-50330	12450		
SINGLE DOOR BOX	600x1000x300	1	BIL-50340	14130		
SINGLE DOOR BOX	800x800x300	1	BIL-50310	13180		
SINGLE DOOR BOX	800x1000x200	1	BIL-50350	14675		
SINGLE DOOR BOX	800x1000x250	1	BIL-50360	14985		
SINGLE DOOR BOX	800x1000x300	1	BIL-50390	15160		
SINGLE DOOR BOX	800x1200x300	1	BIL-50395	18890		
DOUBLE DOOR BOX	1000x800x200	1	BIL-50500	15840		
DOUBLE DOOR BOX	1000x800x300	1	BIL-50520	18165		
DOUBLE DOOR BOX	1000x1000x300	1	BIL-50540	21125		
DOUBLE DOOR BOX	1000x1200x300	1	BIL-50550	24285		
DOUBLE DOOR BOX	1000x1400x300	1	BIL-50560	29050		
DOUBLE DOOR BOX	1200x1400x300	1	BIL-50570	32295		
DOUBLE DOOR BOX	1000x1400x400	1	BIL-50580	30630		
DOUBLE DOOR BOX	1200x1400x400	1	BIL-50590	33710		

MOQ. Minimum order quantity in nos.

Canopy for Bhartia Boxes

HSN Code : 8538

Size (WxHxD) mm	Cat. No.	MOQ Nos.	List Price [₹]	Size (WxHxD) mm	Cat. No.	MOQ Nos.	List Price [₹]
200WX150D	BIL-12-CAN-2015	1	770	600WX200D	BIL-16-CAN-6020	1	1485
250WX150D	BIL-12-CAN-2515	1	880	600WX300D	BIL-16-CAN-6030	1	1820
300WX150D	BIL-12-CAN-3015	1	935	800WX300D	BIL-16-CAN-8030	1	2225
300WX200D	BIL-12-CAN-3020	1	1025	800WX200D	BIL-16-CAN-8020	1	1800
400WX150D	BIL-12-CAN-4015	1	1065	800WX250D	BIL-16-CAN-8025	1	1945
400WX200D	BIL-12-CAN-4020	1	1175	1000WX200D	BIL-16-CAN-1020	1	2115
500WX200D	BIL-12-CAN-5020	1	1330	1000WX300D	BIL-16-CAN-1030	1	2605
500WX300D	BIL-12-CAN-5030	1	1635				

*List Prices are Ex-works Faridabad. For detail refer Enclosure Selling Terms & Conditions.

***GST to be charged extra**



Enclosure Systems BCH



- Fabricated from 1.2/1.5 mm stainless steel sheet
- Mounting Plate made up of 2.0mm Galvanised steel
- SS grade 304
- Foamed - in PU gasket
- Box upto BIL - 90405020 is made up of 1.2 mm SS & above of 1.5 MM SS.
- 120 deg door open-able concealed hinge door with cam locking arrangement.

'BCH - SS' (Stainless Steel)

HSN Code : 8538

Type	Size (WxHxD) mm	MOQ Nos.	Cat No.	List Price [₹]
SINGLE DOOR BOX	200X300X150	3	BIL-90203015	6775
SINGLE DOOR BOX	300X300X200	3	BIL-90303020	9390
SINGLE DOOR BOX	400X400X200	3	BIL-90404020	12420
SINGLE DOOR BOX	400X500X200	3	BIL-90405020	13835
SINGLE DOOR BOX	400X600X200	3	BIL-90406020	15860
SINGLE DOOR BOX	500X600X200	3	BIL-90506020	20315
SINGLE DOOR BOX	600X600X200	3	BIL-90606020	21730
SINGLE DOOR BOX	600X800X200	3	BIL-90608020	25825
SINGLE DOOR BOX	500X700X300	3	BIL-90507030	26235
SINGLE DOOR BOX	800X800X300	3	BIL-90808030	36115

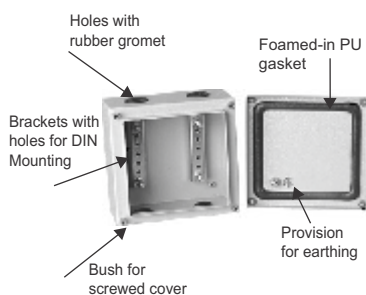
MOQ - Minimum order quantity in nos.
 Note - SS grade 304

Terminal Boxes

HSN Code : 8538



- 43 Different Versions
- Min. Size : 150 X 150 X 80
- Max Size : 800 X 400 X 120
- Degree of protection IP55/IP66/IK10
- CE Certified



Technical Particulars (TERMINAL BOXES)

- Fabricated from 1.2mm CRCA sheet steel
- Powder coated to shade RAL 7035 Structure finish
- Foamed-in PU gasket
- Provided with screwed cover on top
- Degree of protection IP55/IP66/IK10
- CE Certified
- Brackets provided inside to facilitate DIN rail mounting
- Holes with Gromet provided to facilitate cable entry in IP 55 terminal boxes

Note: Cutout charges will be extra

Box Size (W x H x D)	IP-55 Range			IP-66 Range	
	MOQ	Cat. No.	List Price [₹]	Cat. No.	List Price [₹]
150x150x80	5	BIL-70000	1465	BIL-80000	1510
200x150x80	-			BIL-80100	1665
300x150x80	5	BIL-70010	1725	BIL-80010	1920
200x200x80	5	BIL-70020	1645	BIL-80020	1750
300x200x80	5	BIL-70030	1800	BIL-80030	1875
400x200x80	-			BIL-80110	2000
600x200x80	-			BIL-80130	2725
150x150x120	5	BIL-70040	1620	BIL-80040	1725
200x150x120	-			BIL-80150	1780
300x150x120	5	BIL-70050	1920	BIL-80050	1960
200x200x120	5	BIL-70060	1875	BIL-80060	1920
300x200x120	5	BIL-70070	2085	BIL-80070	2130
400x200x120	5	BIL-70080	2340	BIL-80080	2420
300x300x120	5	BIL-70090	2490	BIL-80090	2585
400x150x120	-			BIL-80170	2310
400x300x120	5	BIL-70180	2755	BIL-80180	3095
400x400x120	5	BIL-70190	3245	BIL-80190	3505
500x200x120	5	BIL-70200	2845	BIL-80200	3040
500x300x120	5	BIL-70210	3160	BIL-80210	3345
600x200x120	5	BIL-70220	3180	BIL-80220	3355
600x300x120	5	BIL-70230	3890	BIL-80230	4050
600x400x120	5	BIL-70240	4265	BIL-80240	4410
800x200x120	5	BIL-70250	4495	BIL-80250	4645
800x400x120	5	BIL-70260	5470	BIL-80260	5580

MOQ-Minimum order quantity in nos.

*List Prices are Ex-works Faridabad. For detail refer Enclosure Selling Terms & Conditions.
 *GST to be charged extra



Enclosure Systems BCH

Techno Modular Enclosures

HSN Code : 8538

Size of Enclosure (W x H x D in mm)	Cat. No.	Enclosure Version*				Plinth		Side Covers (Pair)	
		Ver 001 LP [₹]	Ver 002 LP [₹]	Ver 003 LP [₹]	Ver 004 LP [₹]	Cat. No.	List Price [₹]	Cat. No.	List Price [₹]
600 x 1800 x 400	TME 061804	28585	31845	22705	26210	TPL 061804	2770	TSC 061804	5535
800 x 1800 x 400	TME 081804	34155	37475	25960	30015	TPL 081804	3160	TSC 081804	5535
1000 x 1800 x 400	TME 101804	47005	50660	36450	39870	TPL 101804	3545	TSC 101804	5535
1200 x 1800 x 400	TME 121804	52810	59000	40980	45420	TPL 121804	3890	TSC 121804	5535
600 x 1800 x 500	TME 061805	29865	32875	24225	27235	TPL 061805	2970	TSC 061805	6430
800 x 1800 x 500	TME 081805	34770	39150	27800	31125	TPL 081805	3345	TSC 081805	6430
1000 x 1800 x 500	TME 101805	48280	51930	38040	41935	TPL 101805	3725	TSC 101805	6430
1200 x 1800 x 500	TME 121805	53830	61155	43115	48445	TPL 121805	4055	TSC 121805	6430
800 x 1800 x 600	TME 081806	37075	38920	30180	33035	TPL 081806	3490	TSC 081806	7155
600 x 2000 x 400	TME 062004	30815	34625	23665	28120	TPL 062004	2770	TSC 062004	5955
800 x 2000 x 400	TME 082004	35860	39390	27405	31110	TPL 082004	3160	TSC 082004	5955
1000 x 2000 x 400	TME 102004	51370	54235	39945	42715	TPL 102004	3545	TSC 102004	5955
1200 x 2000 x 400	TME 122004	55185	60990	44155	50040	TPL 122004	3890	TSC 122004	5955
600 x 2000 x 500	TME 062005	32710	35415	26840	30340	TPL 062005	2970	TSC 062005	6990
800 x 2000 x 500	TME 082005	36695	40505	28275	32245	TPL 082005	3345	TSC 082005	6990
1000 x 2000 x 500	TME 102005	50820	56860	40505	44945	TPL 102005	3725	TSC 102005	6990
1200 x 2000 x 500	TME 122005	55570	61155	43675	48445	TPL 122005	4055	TSC 122005	6990
600 x 2000 x 600	TME 062006	33185	36450	28425	31695	TPL 062006	3130	TSC 062006	7780
800 x 2000 x 600	TME 082006	37960	41370	30485	33905	TPL 082006	3490	TSC 082006	7780
1000 x 2000 x 600	TME 102006	51620	59235	41130	47950	TPL 102006	3865	TSC 102006	7780
1200 x 2000 x 600	TME 122006	56665	62815	45885	51770	TPL 122006	4220	TSC 122006	7780
600 x 2000 x 800	TME 062008	34155	36695	28510	32075	TPL 062008	3490	TSC 062008	10005
800 x 2000 x 800	TME 082008	39540	42480	32315	35385	TPL 082008	3865	TSC 082008	10005
1000 x 2000 x 800	TME 102008	56665	60430	43675	48445	TPL 102008	4170	TSC 102008	10005
1200 x 2000 x 800	TME 122008	59565	66060	48925	53830	TPL 122008	4590	TSC 122008	10005
600 x 2200 x 600	TME 062206	37405	40980	29705	35250	TPL 062206	3130	TSC 062206	9015
800 x 2200 x 600	TME 082206	42330	45105	34065	37560	TPL 082206	3490	TSC 082206	9015
1000 x 2200 x 600	TME 102206	58605	63120	48155	52675	TPL 102206	3865	TSC 102206	9015
1200 x 2200 x 600	TME 122206	60900	67975	47335	52885	TPL 122206	4220	TSC 122206	9015
600 x 2200 x 800	TME 062208	40790	44245	31290	36130	TPL 062208	3490	TSC 062208	11710
800 x 2200 x 800	TME 082208	49230	52100	37810	41130	TPL 082208	3865	TSC 082208	11710
1000 x 2200 x 800	TME 102208	62410	67245	50660	54480	TPL 102208	4170	TSC 102208	11710
1200 x 2200 x 800	TME 122208	67500	71300	55270	59000	TPL 122208	4590	TSC 122208	11710

*Baying kit (BIL-14280) Rs. 1875/- is also available for Enclosure Version. For extra accessories, please contact nearest branch office.

MOQ-Minimum order quantity in nos.

Note : Cutout charges will be extra

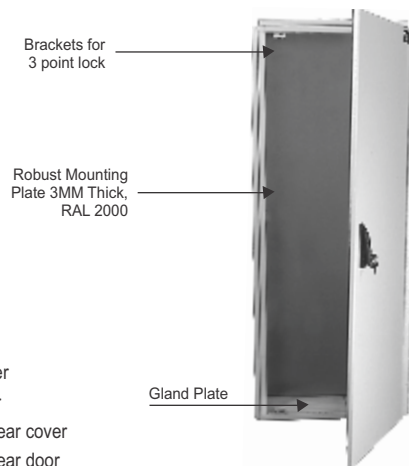
Freight charges will be extra at actuals

*List Prices are Ex-works Faridabad. For detail refer Enclosure Selling Terms & Conditions.

***GST to be charged extra**



Enclosure Systems BCH



Modular Enclosures

- Enclosures
- Minimum size in mm :
600 x 1800 x 400 (W x H x D)
- Maximum size in mm :
1200 x 2200 x 800 (W x H x D)
- Degree of protection IP55/IK10
- CE Certified
- Wide range of accessories

Features

- Completely modular in all the three axis
- Powder coated surface (RAL 7035) for excellent finish and durability
- PU Gasket ensuring higher degree of ingress protection
- 3mm mounting plate as a standard
- Manufactured on CNC Turret punch press for higher precision, finish and repeated accuracy
- Ideal for :
 - Special purpose machines
 - Control panels
 - Drives
 - Starter enclosures
 - Accessories for mounting 19" equipment

Enclosure Versions

- 001 - with mounting plate and rear cover
- 002 - with mounting plate and rear door
- 003 - without mounting plate and with rear cover
- 004 - without mounting plate and with rear door

To Order And Calculate List Price

- (a) Choose Cat. No. and LP of Enclosure version from 001, 002, 003 or 004
- (b) Add Cat. No. and LP of Plinth
- (c) Add Cat. No. and LP of Side Covers pair

General Technical Particulars

- Degree of protection IP55/IK10
- CE Certified
- Fabricated from 2/1.6 mm CRCA/GPSP (frame made up of 2.0mm GPSP, doors & covers made up of 1.6 mm CRCA).
- Fully bolted construction
- Mounting Plate with sliding arrangement - standard & Powder coated to RAL-2000
- Modular Plinth (optional) 100mm high fabricated from CRCA
- Cable entry provision is given from Bottom & made in 3-part construction with Galvanized steel [Unpainted]
- Foamed-in PU gasket
- Powder coated to RAL : 7035 structure finish
- Hinge design allows 120 deg. Door opening
- 3 point lock provided as standard
- Door stiffener with provision of drilling holes for wiring harness.
- Side Covers - Pair : consisting of 1no. LHS and 1no. RHS cover
- To calculate limiting dimension of the enclosure, add 44mm to the width to account for Side Covers,
- 22mm to the height for Top Cover & 44mm to the depth on account of Front and Rear door / cover.

Note : upto 800 mm width single door
1000 mm & 1200 mm width double leaf door

***List Prices are Ex-works Faridabad. For detail refer Enclosure Selling Terms & Conditions.
*GST to be charged extra**

Smartline Modular Enclosure BCH

SmartLine TME

HSN Code : 8538

Size of Enclosure (W x H x D in mm)	Cat. No.	Enclosure Version*				Plinth		Side Covers (Pair)	
		Ver 001 LP [₹]	Ver 002 LP [₹]	Ver 003 LP [₹]	Ver 004 LP [₹]	Cat. No.	List Price [₹]	Cat. No.	List Price [₹]
600 x 1800 x 500	SLE 061805	27800	31455	22545	25960	TPL 061805	2970	SLSC 061805	5805
800 x 1800 x 600	SLE 081806	34625	37160	28425	31595	TPL 081806	3490	SLSC 081806	6430
600 x 2000 x 600	SLE 062006	30975	34625	26520	29705	TPL 062006	3130	SLSC 062006	7025
800 x 2000 x 600	SLE 082006	35485	39300	28510	32225	TPL 082006	3490	SLSC 082006	7025
1200 x 2000 x 600	SLE 122006	53930	59685	43675	49190	TPL122006	4220	SLSC 122006	7025
600 x 2000 x 800	SLE 062008	31695	34865	26690	30105	TPL 062008	3490	SLSC 062008	9025
800 x 2000 x 800	SLE 082008	37560	40335	30105	33585	TPL 082008	3865	SLSC 082008	9025
1200 x 2000 x 800	SLE 122008	55420	62890	46535	51190	TPL 122008	4590	SLSC 122008	9025

Note : Cutout / customization charges will be extra.

*Baying kit (**BIL-14280**) Rs. 1875/- is also available for Enclosure Version. For extra accessories, please contact nearest branch office.

Enclosure Versions

- 001 - With mounting plate and rear cover.
- 002 - With mounting plate and rear door
- 003 - Without mounting plate and with rear cover
- 004 - Without mounting plate and with rear door

To Order and Calculate List Price

- (a) Choose Cat. No. and LP of Enclosure version from 001, 002, 003 or 004
- (b) Add Cat. No. and LP of Plinth
- (c) Add Cat. No. and LP of Side Covers pair

General Technical Particulars

- IP-54 degree of protection
- Fabricated from CRCA/GPSP (frame made up of GPSP, doors & covers made up of CRCA sheet).
- Modular construction
- Mounting plate and cable entry plate made up of Galvanized steel [Unpainted]
- Plinth (optional) 100mm high fabricated from CRCA sheet.
- Cable entry provision is given from Bottom as standard
- Foamed-in PU gasket
- Powder coated to RAL : 7035 structure finish
- Hinge design allows 120 deg. Door opening
- 3 point lock provided as standard
- Door stiffener with provision of drilling holes for wiring harness.
- Side Covers - Pair: consisting of 1no. LHS and 1no. RHS cover
- To calculate limiting dimension of the enclosure, add 44mm to the width to account for Side Covers, 22mm to the height for Top Cover & 44mm to the depth on account of Front and Rear door / cover.

Note : Upto 800 mm width single door. 1000 mm & 1200 mm width double leaf door

*List Prices are Ex-works Faridabad. For detail refer Enclosure Selling Terms & Conditions.

***GST to be charged extra**



TEOS Plus Enclosure BCH-TEKPAN

TEOS Plus Enclosure

HSN Code : 8538

Size of Enclosure (W x H x D in mm)	Cat. No.	List Price [₹]
600 x 1800 x 500	TEOS061805	On Request
800 x 1800 x 600	TEOS081806	
600 x 2000 x 600	TEOS062006	
800 x 2000 x 600	TEOS082006	
800 x 2000 x 800	TEOS082008	
1200 x 2000 x 600	TEOS122006	
1000 x 2000 x 800	TEOS102008	
1200 x 2000 x 800	TEOS122008	

Front Door, Rear Door, Rear Cover & Mounting plate shall be supplied as per requirement.



Plinth Corner

HSN Code : 8538

Description	Cat. No.	List Price [₹]
PLINTH CORNER PART H100mm	708.100	On Request

Supply included:- 4 pcs 100mm height corner & mounting accessories.

Plinth Front Cover

HSN Code : 8538

Description	Cat. No.	List Price [₹]
PLINTH FRONT PROFILE :600	709.160	On Request
PLINTH FRONT PROFILE :800	709.180	
PLINTH FRONT PROFILE :1000	709.100	
PLINTH FRONT PROFILE :1200	709.120	

Supply included:- 2 pcs 100mm height front cover & mounting accessories.

Plinth Side Cover

HSN Code : 8538

Description	Cat. No.	List Price [₹]
PLINTH SIDE PROFILE :500	710.150	On Request
PLINTH SIDE PROFILE :600	710.160	
PLINTH SIDE PROFILE :800	710.180	

Supply included:- 2 pcs 100mm height side cover & mounting accessories.

Side Cover

HSN Code : 8538

Description	Cat. No.	List Price [₹]
Pair of side cover 500*1800	706.185	On Request
Pair of side cover 600*1800	706.186	
Pair of side cover 600*2000	706.206	
Pair of side cover 800*1800	706.188	
Pair of side cover 800*2000	706.208	

Supply included:- 2 pcs side cover & mounting accessories

Technical Particulars (TEOS Plus Enclosure)

- Multifold (12-Fold) structure with 100% Modularity.
- IP-65 Degree of Protection.
- SEISMIC Tested for Zone-4 and UL Certified.
- Easy Assembly & Logistic advantages.
- 4-Point lock with Swing Handle.
- Powder coated to RAL: 7035 Structure Finish.
- Limiting dimension of the enclosure are same as per given dimension.

*List Prices are Ex-works Faridabad. For detail refer Enclosure Selling Terms & Conditions.

***GST to be charged extra**



Note :

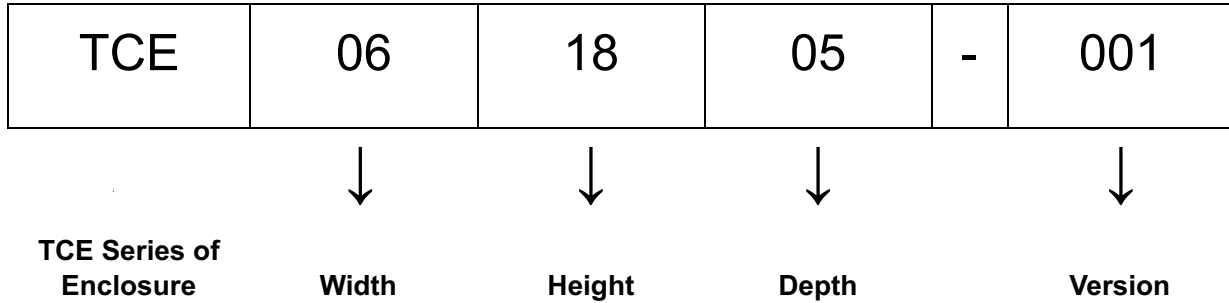
- Upto 800 mm width single door . 1000 mm & 1200 mm width double leaf door
- Cutout / customization charges will be extra
- For extra accessories, please contact nearest branch office.



TCE Series Enclosure..... BCH

TCE Series Enclosure Code Selection |

Example:-



Sizes Available |

Width	Height	Depth
06-600 W	18-1800 H	04-400 D
08-800 W	20-2000 H	05-500 D
10-1000 W	22-2200 H	06-600 D
12-1200 W		08-800 D

Version Details |

001	002	003	004	005
Structure: Front Door with Hinge Rear Bolted Cover STD Gland Plate Top Cover Eye Bolt 01 Mounting Plate	Structure: Front Door with Hinge Rear Door with Hinge STD Gland Plate Top Cover Eye Bolt 01 Mounting Plate	Structure: Front Door with Hinge Rear Bolted Cover STD Gland Plate Top Cover Eye Bolt No Mounting Plate	Structure: Front Door with Hinge Rear Door with Hinge STD Gland Plate Top Cover Eye Bolt No Mounting Plate	Structure: Front Door with Hinge Rear Door with Hinge STD Gland Plate Top Cover Eye Bolt 2 Mounting Plate

*List Prices are Ex-works Faridabad. For detail refer Enclosure Selling Terms & Conditions.

***GST to be charged extra**



TCE Series Enclosure.....BCH

Technical Particulars for TCE Series

- IP66-IK10 for single door enclosure
- IP65-IK10 for double door enclosure
- Structure made up with 2.0mm CRCA
- Door made up with 2.0mm CRCA and covers made up with 1.6mm CRCA
- Bottom 3-part cable entry provision as standard and made up with 2.0mm GPSP
- Mounting plate with sliding arrangement and made up with 3.0mm CRCA.
- Push fit Die casted hinge provided at doors.
- Door with Interchangeability features (LHS/RHS)
- 4-point locking provides as standards
- Separate locking at LHS door with swing handle
- Door stiffener with provision of drilling holes for wiring harness.
- Eye bolt as standard for lifting
- Modular Plinth (optional) 100mm Height with Black finish
- Side Covers – Pair consisting of 1no. LHS and 1no. RHS cover
- Surface finish to enclosure RAL-7035 and Mounting plate RAL-2000



Note: up to 800 mm width single door
1000 mm & 1200 mm width double door

IK 10



CE

*List Prices are Ex-works Faridabad. For detail refer Enclosure Selling Terms & Conditions.

***GST to be charged extra**

TCE Series Enclosure..... BCH

HSN Code: 8538

Size of Enclosure in mm			Cat No.	Enclosure Version*				
Width (H)	Height (H)	Depth (D)		VER-001 LP[₹]	VER-002 LP[₹]	VER-003 LP[₹]	VER-004 LP[₹]	VER-005 LP[₹]
600	1800	400	TCE061804	30625	34115	24325	28090	
800	1800	400	TCE081804	36585	40145	27815	32155	
1000	1800	400	TCE101804	50360	54270	39055	42715	
1200	1800	400	TCE121804	56590	63210	43900	48660	
600	1800	500	TCE061805	32000	35225	25955	29175	
800	1800	500	TCE081805	37255	41945	29780	33345	
1000	1800	500	TCE101805	51720	55650	40745	44920	
1200	1800	500	TCE121805	57670	65520	46190	51900	
800	1800	600	TCE081806	39730	41685	32330	35390	48430
800	1800	800	TCE081808	41450	45605	34480	38620	55325
600	2000	400	TCE062004	33010	37110	25350	30115	
800	2000	400	TCE082004	38425	42195	29360	33330	
1000	2000	400	TCE102004	55030	58105	42785	45760	
1200	2000	400	TCE122004	59110	65340	47300	53610	
600	2000	500	TCE062005	35035	37940	28755	32500	
800	2000	500	TCE082005	39305	43390	30285	34535	
1000	2000	500	TCE102005	54440	60920	43390	48145	
1200	2000	500	TCE122005	59530	65520	46795	51900	
600	2000	600	TCE062006	35560	39055	30450	33950	46995
800	2000	600	TCE082006	40670	44315	32655	36315	52600
1000	2000	600	TCE102006	55310	63460	44055	51365	76945
1200	2000	600	TCE122006	60710	67305	49165	55465	81720
600	2000	800	TCE062008	36585	39305	30555	34370	51200
800	2000	800	TCE082008	42365	45500	34620	37915	55410
1000	2000	800	TCE102008	60710	64735	46795	51900	75605
1200	2000	800	TCE122008	63815	70785	52420	57670	84450
600	2200	600	TCE062206	40075	43900	31815	37765	52600
800	2200	600	TCE082206	45350	48325	36505	40245	56395
1000	2200	600	TCE102206	62790	67630	51595	56430	79045
1200	2200	600	TCE122206	65245	72835	50705	56655	90590
600	2200	800	TCE062208	43695	47400	33525	38705	50435
800	2200	800	TCE082208	52745	55815	40495	44055	61020
1000	2200	800	TCE102208	66870	72050	54270	58370	83960
1200	2200	800	TCE122208	72325	76400	59225	63210	94690

*List Prices are Ex-works Faridabad. For detail refer Enclosure Selling Terms & Conditions.

***GST to be charged extra**

TCE Series Enclosure..... BCH

TCE Bottom Plinth 100mm Height

HSN Code: 8538

Size in MM		Cat No	LP[₹]
Width (H)	Depth (D)		
600	400	TCEPL0604	2750
800	400	TCEPL0804	3145
1000	400	TCEPL1004	3520
1200	400	TCEPL1204	3855
600	500	TCEPL0605	2950
800	500	TCEPL0805	3310
1000	500	TCEPL1005	3700
1200	500	TCEPL1205	4025
600	600	TCEPL0606	3115
800	600	TCEPL0806	3460
1000	600	TCEPL1006	3825
1200	600	TCEPL1206	4180
600	800	TCEPL0608	3460
800	800	TCEPL0808	3825
1000	800	TCEPL1008	4140
1200	800	TCEPL1208	4550



TCE Side Panel

HSN Code: 8538

Size in MM		Cat No	LP[₹]
Height (H)	Depth (D)		
1800	400	TCESP0418	5500
1800	500	TCESP0518	6385
1800	600	TCESP0618	7100
1800	800	TCESP0818	9470
2000	400	TCESP0420	5905
2000	500	TCESP0520	6945
2000	600	TCESP0620	7715
2000	800	TCESP0820	9930
2200	600	TCESP0622	8935
2200	800	TCESP0822	11615

MOQ-Minimum order quantity in nos.

Note: Cutout charges will be extra

Freight charges will be extra at actuals

*List Prices are Ex-works Faridabad. For detail refer Enclosure Selling Terms & Conditions.

***GST to be charged extra**

TCE Series Enclosure..... BCH

TCE Series Enclosure Accessories

Baying system

HSN Code: 8538

Sl. No	Description	Cat No	LP[₹]
1	Baying Kit	TCE-14280	2040
2	Combination Angle (Pack of 2)	TCE-14281	1070

Mounting plate filler profile

HSN Code: 8538

Sl. No	Description	Cat No	LP[₹]
1	Filler plate for 1800mm Height	TCE-FP-1800	1550
2	Filler plate for 2000mm Height	TCE-FP-2000	1710
3	Filler plate for 2200mm Height	TCE-FP-2200	1875

Wiring plan pocket

HSN Code: 8538

Sl. No	Description	Cat No	LP[₹]
1	File pocket 500mm Width	TCE-TPKT-500	750
2	File pocket 600mm Width	TCE-TPKT-600	910
3	File pocket 800mm Width	TCE-TPKT-800	1175

Lamp rail

HSN Code: 8538

Sl. No	Description	Cat No	LP[₹]
1	Lamp rail 600mm Width	TCE-LAMP-RAIL-600	215
2	Lamp rail 800mm Width	TCE-LAMP-RAIL-800	290
3	Lamp rail 1000mm Width	TCE-LAMP-RAIL-1000	365
4	Lamp rail 1200mm Width	TCE-LAMP-RAIL-1200	440

Limit switch with fixing arrangement

HSN Code: 8538

Sl. No	Description	Cat No	LP[₹]
1	BCH Limit switch	TCE-LC	910

Punched section for depth

HSN Code: 8538

Sl. No	Description	Cat No	LP[₹]
1	Punched section 400mm depth	TCE-PSD-400	535
2	Punched section 500mm depth	TCE-PSD-500	750
3	Punched section 600mm depth	TCE-PSD-600	965
4	Punched section 800mm depth	TCE-PSD-800	1285

Punched section for width

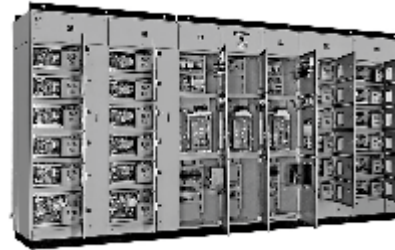
HSN Code: 8538

Sl. No	Description	Cat No	LP[₹]
1	Punched section 600mm width	TCE-PSW-600	1070
2	Punched section 800mm width	TCE-PSW-800	1285
3	Punched section 1000mm width	TCE-PSW-1000	1500
4	Punched section 1200mm width	TCE-PSW-1200	1710

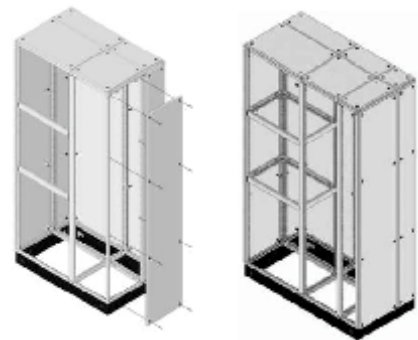
*List Prices are Ex-works Faridabad. For detail refer Enclosure Selling Terms & Conditions.

***GST to be charged extra**

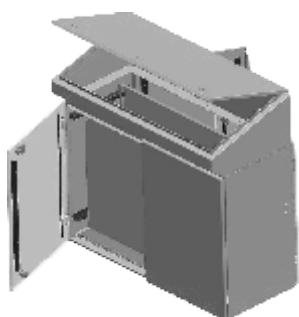
Highlights of **BCH** Compartmentalized **MCC / PCC / PMCC** Solution (Fixed & Drawed Type)



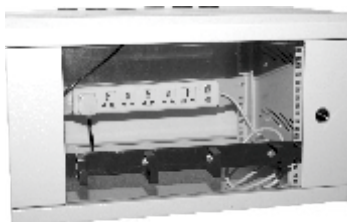
- 100% Modular Structure; can be dispatched in flat pack.
- Flexible compartmentalized -up to From 4.
- IP 54 degree of protection with polyurethane foam gasket.
- Compartment size available from 200mm height & multiplies of 100mm.
- Additional accessories like Cable support, Busbar support, Limit Switch and Lamp brackets are available.
- Adjustable mounting plates (Depth wise at the pitch of 25mm).
- Panel can be expanded in all 3 dimensions and bayed together by using Baying Kit.
- All Structure members (Corner & Cross bar) having M6 extrude hole at 25mm intervals, No need of any Captive hardware.
- Standard Module dimension for Drawout Enclosures.
 - ▷ Single Front :- 900(W) x 2400(H) x 600(D)
 - ▷ Double Front :- 900(W) x 2400(H) x 1200(D)
- Draw-out feeder available from 200mm height (2SU) to 800mm height (8SU).
- Colours :- RAL-7035 (Structure finish) for structure, doors, covers & internal parts RAL-2000 (smooth finish) for Mounting plates, Ral-9000 (Smooth Finish) for Plinth .
- Sheet thickness 2.0mm GPSP for structure, 2.0mm CRCA for Mounting Plate & Mounting rail, 1.6mm CRCA for Doors & Covers, 1.2mm CRCA for Separation plates.



BCH Control Desk



Enclosure Systems *technoRACKS* BCH



Key Attributes:

- Aesthetic & robust construction
- Mounting Fan /s in top doesn't take usable "U" space.
- Special type of Wallmounting hardware.
- Provision for earthing available in the cabinets.
- Highly corrosion resistant in nature.
- Power coated to shade RAL : 7035 structure finish.

19" Wall Mount Racks

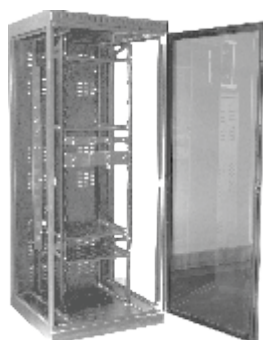
HSN Code : 8538

Dimensions (H x W x D) mm	MOQ Nos.	Cat. No.	List Price [₹]
6UX550X400	1	BIL-W-6-5504	5505
9UX550X400	1	BIL-W-9-5504	6640
6UX550X500	1	BIL-W-6-5505	6080
9UX550X500	1	BIL-W-9-5505	7085
12UX550X500	1	BIL-W-12-5505	7870
15UX550X500	1	BIL-W-15-5505	9260

MOQ-Minimum order quantity in nos.

Standard Configuration: Wallmount cabinet, 2-Pairs of 19" rail.

Notes : Accessories viz. Shelves, Fans, power strips, cable managers captive H/W & wall mounting hardware etc. will be extra as per the accessories list furnished in the price list.
Wall mount racks price do not include freight & will be extra at actuals



Key Attributes:

- Floor mounting robust design.
- Lockable & removable side panels.
- 2-pairs of adjustable 19" rails.
- Front door with toughened glass & perforation.
- High load bearing capacity.
- Rear vented door.
- Provision for fan mounting in top which doesn't take usable "U" Space.
- Superior cable management facility in extra wide racks.
- 4-integrated vertical cable managers are default design of 800mm wide racks.
- Rear space saving split door with 3-point secure locking in extra wide (800mm) racks.
- Power coated to shade RAL : 7035 structure finish.

19" Networking Racks

HSN Code : 8538

Dimensions (H x W x D) mm	MOQ Nos.	Cat. No.	List Price [₹]
24U X 600 X 600	1	BIL-N-062406	30800
24U X 600 X 800	1	BIL-N-062408	34055
24U X 800 X 600	1	BIL-N-082406	38595
24U X 800 X 800	1	BIL-N-082408	42180
30U X 600 X 600	1	BIL-N-063006	34055
30U X 600 X 800	1	BIL-N-063008	37310
30U X 800 X 600	1	BIL-N-083006	42180
30U X 800 X 800	1	BIL-N-083008	46235
36U X 600 X 600	1	BIL-N-063606	37310
36U X 600 X 800	1	BIL-N-063608	41360
36U X 800 X 600	1	BIL-N-083606	46250
36U X 800 X 800	1	BIL-N-083608	50220
42U X 600 X 600	1	BIL-N-064206	43000
42U X 600 X 800	1	BIL-N-064208	46075
42U X 800 X 600	1	BIL-N-084206	50605
42U X 800 X 800	1	BIL-N-084208	55950
45U X 600 X 600	1	BIL-N-064506	49475
45U X 600 X 800	1	BIL-N-064508	51925
45U X 800 X 600	1	BIL-N-084506	54335
45U X 800 X 800	1	BIL-N-084508	59205

MOQ-Minimum order quantity in nos.

Notes : 1) Networking racks price do not include freight & this will be extra at actuals.

For more details visit : www.bchindia.com/technorack

***List Prices are Ex-works Faridabad. For detail refer Enclosure Selling Terms & Conditions.**

***GST to be charged extra**

19" Server Racks

HSN Code : 8538

Key Attributes:

- Floor mounting robust design.
- Lockable & removable side panels.
- 2-pairs of adjustable 19" rails.
- Front door with toughened glass & perforation.
- High load bearing capacity.
- Rear vented door.
- Provision for fan mounting in top which doesn't take usable "U" Space.
- Superior cable management facility in extra wide racks.
- 4-integrated vertical cable managers are default design of 800mm wide racks.
- Rear space saving split door with 3-point secure locking
- locking in extra wide (800mm) racks.
- Power coated to shade RAL : 7035 structure finish.

Dimensions (H x W x D) mm	MOQ Nos.	Cat. No.	List Price [₹]
24U X 600 X 900	1	BIL-S-062409	34795
24U X 600 X 1000	1	BIL-S-062410	36980
30U X 600 X 900	1	BIL-S-063009	39345
30U X 600 X 1000	1	BIL-S-063010	40880
36U X 600 X 900	1	BIL-S-063609	43140
36U X 600 X 1000	1	BIL-S-063610	45440
42U X 600 X 900	1	BIL-S-064209	48510
42U X 600 X 1000	1	BIL-S-064210	51585
42U X 800 X 1000	1	BIL-S-084210	59365
45U X 600 X 900	1	BIL-S-064509	56055
45U X 600 X 1000	1	BIL-S-064510	59310

MOQ - Minimum order quantity in nos.

Notes: Server racks price do not include freight & this will be extra at actuals.

STANDARD CONFIGURATION: Basic frame, Top & bottom, Front Glass door with perforation, Rear vented door, Lockable & detachable side panels, 2-Pairs of 19" rails with depth members.



Key Attributes:

- Includes 1-Pair of 21" rails.
- Integrated side panels.
- Grouting arrangements along with grouting bolts as std. BOM
- Provision for power & detachable Cable entry/exit in top & bottom.
- Power coated to shade RAL : 7035 structure finish.

ETSI Racks

HSN Code : 8538

Dimensions (H x W x D) mm	MOQ Nos.	Cat. No.	List Price [₹]
2200 X 600 x 300	1	ITE-062203	12505
2200 X 600 x 600	1	ITE-062206	20120

MOQ - Minimum order quantity in nos.

Notes: Above ETSI configuration do not include front & rear door and covers.

All other accessories will be extra & will be furnished on request.
The prices mentioned above do not include freight.



Key Attributes:

- 1-Pair of vertical cable manager is default design.
- Surface pretreated and advance powder coated
- Grouting bolts as std. BOM.
- Power coated to shade RAL : 7035 structure finish.

19" Open Racks

HSN Code : 8538

Dimensions (H x W) mm	MOQ Nos.	Cat. No.	List Price [₹]
36U X 600	1	ITE-OF-0636	8120
45U X 600	1	ITE-OF-0645	9570

MOQ - Minimum order quantity in nos.

Notes: 1) Above Open Rack configuration does not include Shelves, Doors and Covers. All other accessories prices will be extra and will be furnished on request.

2) The Prices above do not include Freight and this will be extra at actuals.

For more details, visit : www.bchindia.com/technorack

*List Prices are Ex-works Faridabad. For detail refer Enclosure Selling Terms & Conditions.

***GST to be charged extra**

Accessories for 19" Racks

Fixed Shelf/Stationary Shelf

- Compatible to keep monitor, servers, non 19" Networking & allied equipments.

Key-Board Tray

- Sliding & rotatory type.

Canteliver Shelf

- It can accommodate light weighted networking & allied equipments like modem, routers etc.

Equipment Support Angle

- "L" type angles. Useful to keep non 19" heavy duty equipment in rack mounting position.

Sliding Shelf

- Useful to keep servers, networking & allied equipment which are required to slide out for operational & other purpose.

Fans/Fan Tray

- 220V 90 CFM Capacity. Can be mounted at the top either directly or through Fan housing unit (Fan Tray)

6-Point 5A Hor. Power Strip

- All universal type socket along with on/off switch with fuse & indicator. Internal strips are made up of Berellium copper that has high rate of heat & mechanical tolerance.
- Other 5A or 5/15A Power strips have Indian style (Anchor) Sockets with on/off switch/MCB.

Castors

- 1-Set includes 4Nos. of castors, 2Nos. with foot operated brake & remaining 2 are free.

Levelling Feet

- 1-Set includes 4Nos. of Levelling Feet.

Stability Plate

- It Prevents the racks from toppling while taking out heavy duty servers.

Shelves

HSN Code : 8538

Description	Cat No.	List Price [₹]
Fixed Shelf (600mmD)	BIL-A-FS-L-06	1400
Fixed Shelf (800mmD)	BIL-A-FS-L-08	2165
Fixed Shelf (900mmD)	BIL-A-FS-L-09	2410
Fixed Shelf (1000mmD)	BIL-A-FS-L-10	2590
Modem Tray	BIL-A-MD	1325
Key board tray (Sliding & Rotatory)	BIL-A-KB-06	4140
Canteliver Shelf (1U)	BIL-A-CS-1	835
Canteliver Shelf (2U)	BIL-A-CS-2	1245
Equipment Support Angle (600mmD)	BIL-A-ESA-06	520
Equipment Support Angle (800mmD)	BIL-A-ESA-08	585
Equipment Support Angle (900mmD)	BIL-A-ESA-09	735
Equipment Support Angle (1000mmD)	BIL-A-ESA-10	850
Sliding Shelf (900mmD)	BIL-A-SS-09	4140
Sliding Shelf (1000mmD)	BIL-A-SS-10	4300

Thermal Management

HSN Code : 8538

Description	Cat No.	List Price [₹]
1-Fan (Direct mounted)	BIL-A-SF	1400
Fan-tray with 2-Fans (FHU)	BIL-A-FHU-2FANS	2995
Fan-tray with 4-Fans (FHU)	BIL-A-FHU-4FANS	5215

Cable Management

HSN Code : 8538

Description	Cat No.	List Price [₹]
Horizontal Cable Manager (1U)	BIL-A-HCM-1U	330
Horizontal Cable Manager (2U)	BIL-A-HCM-2U	410
Vertical Cable Manager (24U)	BIL-A-VCM-24U	520
Vertical Cable Manager (30U)	BIL-A-VCM-30U	665
Vertical Cable Manager (36U)	BIL-A-VCM-36U	755
Vertical Cable Manager (42U)	BIL-A-VCM-42U	835
Vertical Cable Manager (45U)	BIL-A-VCM-45U	915

Power Management

HSN Code : 8538

Description	Cat No.	List Price [₹]
6-Point 5Amp Horizontal Power Strip (19")	BIL-A-HPS-5AMP	1365
5-Point 5/15Amp Horizontal Power Strip (19")	BIL-A-HPS-15AMP	1820
12-Point 5Amp Vertical Power Strip	BIL-A-12VPS-5AMP	2665
10-Point 5/15Amp Vertical Power Strip	BIL-A-10VPS-15AMP	3065
Earth continuity Kit (Earthing Kit)	BIL-A-ECT	1035

Stability Management

HSN Code : 8538

Description	Cat No.	List Price [₹]
Castors (1-Set) Heavy Duty	BIL-A-CAS-HD	5000
Castors (1-Set) Light Duty	BIL-A-CAS	3980
Levelling Feet (1-Set)	BIL-A-LF	680
Stability Plate	BIL-A-SP	2510

Miscellaneous

HSN Code : 8538

Description	Cat No.	List Price [₹]
BAYING KIT	BIL-A-BK	490
BLANKING PANEL (1U)	BIL-A-BP-1U	230
BLANKING PANEL (2U)	BIL-A-BP-2U	300
BLANKING PANEL (3U)	BIL-A-BP-3U	385
BLANKING PANEL (4U)	BIL-A-BP-4U	475
BLANKING PANEL (5U)	BIL-A-BP-5U	530
Captive H/w (set of 10)	BIL-A-Captive-M6	230
Wallmounting H/w (set of 4)	BIL-A-WALLMOUNTHW	240

Notes : Packing & forwarding will be extra if accessories are ordered separately.

*List Prices are Ex-works Faridabad. For detail refer Enclosure Selling Terms & Conditions.
*GST to be charged extra



Price List

General Terms & Conditions

Prices are subject to change without any prior notice and will be applicable as prevailing at the time of dispatch.

- The prices are ex-works basis..
- The prices given in this list are effective as on date and are subject to change without notice.
- The List Prices (LP) mentioned are exclusive of GST.
- The duties, taxes and other statutory levies are based on rates prevailing at the time of billing. Any subsequent revision of those rates having retrospective effective shall be to customer's account.
- In case where any GST exemption has been claimed, the purchaser is responsible for providing the necessary GST exemption form within the specified period, failing which the purchaser would be liable for the payment of full GST plus applicable interest and penalties
- All Prices are in Indian Rupees (₹).
- Alteration made after receipt of confirmation of order are subject to price & delivery revisions and any other expenses or levies
- The dispute, if any, will be resolved mutually by discussion. However, if no settlement is forthcoming then, the Courts at New Delhi shall only have territorial jurisdiction to hear and decide the dispute.

Warranty

All products, unless specifically mentioned otherwise, shall have warranty, against manufacturing defects for a period of 18* months from the date of invoicing & 24 months from date of manufacturing whichever is later subject to the provision of proper usage and does not cover defects arising out of fire, accident, inefficient maintenance, faulty operation and willful or accidental damage. The manufacturer shall not be liable for any consequential loss, injury or damages attributable to defect or failure of its products.

* Proof of purchase to be retained to avail warranty.

a strong commitment
to serve better
always ...



Switchgear | Controlgear | Enclosures | Motor Starters & Submersible Pump Starters |
Brakes and Crane Controls | MCC | PCC | Customised Solutions | Automation |
Wires & Cables | Motors | Reactive Power Management



BCH
ELECTRIC
LIMITED

Power Control Products
Starters & Submersible Pump Starters
Industrial Enclosures
Industrial Products
Wires & Cables
Motor Control Products
Power Bus Duct
Customised Solution
Automation

a strong commitment to serve better always ...



BCH ELECTRIC LIMITED



www.bchindia.com



1800-103-9262
customercare@bchindia.com

Visit us at : www.bchindia.com

Corporate Office : 1105, New Delhi House, 27, Barakhamba Road, New Delhi - 110 001 Tel. : 91-11- 43673100

CIN : U31103WB1965PLC026427, **Customercare No.** 1800-103-9262, **E-mail :** marketing@bchindia.com

Registered Office : Block 1E, 216, Acharya Jagadish Chandra Bose Road, Kolkata - 700 017

Works 1 : 20/4, Mathura Road, Faridabad - 121 006 (Haryana) Tel. : 0129-4063000/4293000 Fax : 0129-2304016

Works 2 : 64-68, Sector-7, IIE, Pant Nagar, Rudrapur, Udham Singh Nagar - 263 153 (Uttarakhand) Tel. : 05944-250214/16 Fax : 05944-250215

Sales Offices :

Ahmedabad
401, Shilp Zeveri,
Beside Shyamal Iconic,
Above Westside,
Shyamal Cross Road,
Ahmedabad - 380015
E-mail: ahmedabad@bchindia.com

Bangalore
2nd Floor, 130/5,
K.H. Road (Double road),
Bangalore - 560 027
Tel.: 080-41144879 / 22236759
E-mail: bangalore@bchindia.com

Bhubaneswar
Mallick Commercial
Complex Plot No. : A/69, unit - 3
Bhubaneswar - 751 001
Tel.: 0674-2380988
E-mail: bhubaneswar@bchindia.com

Chandigarh (Panchkula)
SCO -129, 2nd Floor,
MDC, Sector-5 Panchkula,
Haryana-134 114
Tel.: 0172-5078957 / 5049905
E-mail: chandigarh@bchindia.com

Chennai
Flat No. 3A, 3rd Floor,
Sree Apartments,
No.508, TTK Road,
Alwarpet, Chennai 600 018
Tel.: 044-24337046, 24337047
E-mail: chennai@bchindia.com

Coimbatore
87, Dr. Nanjappa Road,
Coimbatore - 641 018
Tel. : 0422-2305311 / 2302599
E-mail: coimbatore@bchindia.com

Delhi 1
801, Akash Deep Building,
26A, Barakhamba Road,
New Delhi - 110 001
Tel. : 011-23313878 / 43518200
E-mail: delhi@bchindia.com

Delhi 2
710, Deepali Building, 92
Nehru Place, New Delhi - 110 019
Tel. : 011-45720334
E-mail: delhi2@bchindia.com

Dehradun
8, Co-operative Industrial Estate,
Patel Nagar, Dehradun-248001
E-mail: dehradun@bchindia.com

Faridabad
20/4, Mathura Road,
Faridabad - 121 006 (Haryana)
Tel.: 0129-4293009
E-mail: faridabad@bchindia.com

Hyderabad
1-8-303/48/13/102, Arya One,
2nd Floor, P. G. Road,
Secunderabad - 500 003
Tel. : 040-66206263/27890306
Fax : 040-66207273
E-mail: hyderabad@bchindia.com

Indore
330-331, Indraprastha Tower,
3rd Floor, 6, M.G. Road,
Indore - 452 001
Tel. : 0731-2510011 / 2510012
E-mail: indore@bchindia.com

Jaipur
25, Hathroi, Gopalbari,
Jaipur - 302 001
Tel. : 0141-2363521
E-mail: jaipur@bchindia.com

Jamshedpur
3rd Floor, Aastha Trade Centre,
'Q' Road, Bistupur,
Jamshedpur - 831 001
Tel. : 0657-2321097/2321481
E-mail: jamshedpur@bchindia.com

Kolkata
Block 1E, 216,
Acharya Jagadish Chandra Bose Road,
Kolkata - 700 017
Tel. : 033-22871728 / 46021884
E-mail: kolkata@bchindia.com

Lucknow
Madan Plaza, 3rd Floor,
14, Station Road,
Lucknow - 226 001
Tel. : 0522-4025597/4025997
E-mail: lucknow@bchindia.com

Ludhiana
S.C.O. - 18, 2nd Floor,
Feroze Gandhi Market,
Ludhiana - 140 001
Tel. : 0161-5021807/5022808
E-mail: ludhiana@bchindia.com

Mumbai
A-151, Mittal Tower,
Nariman Point,
Mumbai - 400 021
Tel. : 022-22822947/22850162
Fax : 022-22822858
E-mail: mumbai@bchindia.com

Pune
8, Sarosh Bhavan,
16-B/1, Dr. Ambedkar Road,
Pune - 411 001
Tel. : 020-41210002
E-mail: pune@bchindia.com

Raipur
6th Floor, Office No. 607,
Babylon Capital, Near Oswal
Petrol Pump, VIP Chowk,
G.E. Road, Raipur - 492 006
Tel. : 0771- 4045053
E-mail: raipur@bchindia.com

Trichy
2B, Kannagi Street,
Ayyappa Nagar, K.K.Nagar
Trichy - 620 021, Tamilnadu
Tel.: 0431-4040497
E-mail: trichy@bchindia.com

Vadodara
301, Third Floor, "Florence Classic",
10, Ashapuri Co-Op. Hsg. Soc. Ltd., Opp. VUDA Housing,
Near Cow Circle, Akota, Vadodara - 390 020
Tel. : 0265-2345068/2345069
Telefax : 0265-2345068.
E-mail: vadodara@bchindia.com

Other Branch Locations

Cochin : cochin@bchindia.com, **Guwahati :** guwahati@bchindia.com, **Vishakapatnam :** vizag@bchindia.com, **Surat :** surat@bchindia.com

Resident Engineer Locations

Anantapur	Kanpur	Nashik	Salem	Yamunanagar
Bhopal	Katni	Patna	Siliguri	
Calicut	Karimnagar	Puducherry	Surat	
Gurgaon	Kota	Rajkot	Tirunelveli	
Jalandhar	Midnapur	Ranchi	Udaipur	
Jalgaon	Muzaffarnagar	Rourkela	Vapi	
Jodhpur	Nagpur	Rudrapur	Vijayawada	

Since product improvement is a continuous process, the data furnished in this brochure may undergo revision without prior notice.