

PRICE LIST

Effective : 11th June 2021

ENCLOSURES



BCH

BCH
ELECTRIC
LIMITED



Modern facilities at Faridabad & Rudrapur

Our Strengths

- ◆ State-of-the-art product development and R&D
- ◆ Modern manufacturing facilities
- ◆ Tool room with latest facilities
- ◆ Serving customers for five decades
- ◆ Presence in ~50 locations
- ◆ 650 channel partners
- ◆ ISO 14001:2015 and ISO 9001:2015 certified company

Core Values

- ◆ Integrity
- ◆ Nurturing People
- ◆ Commitment to Customers
- ◆ Striving for Excellence
- ◆ Long Term Thinking

Quality Policy

We as a member of BCH Electric Limited manufacturer of Low Voltage Switchgear & Controlgear products, are fully committed to provide Quality products and service in compliance with applicable Statutory and Regulatory requirements, to meet or exceed the customer need and expectations through -

- ◆ Continual improvement
- ◆ Involvement of employees
- ◆ Setting Quality objectives
- ◆ Training and development of employees

Health & Safety Policy

We as a member of BCH Electric Limited manufacturer of Low Voltage Switchgear & Controlgear products, are fully committed to conduct Business in compliance to applicable Health & Safety legislation and regulation.

We shall continually improve through -

- ◆ Provide Safe & Healthy working conditions for the prevention of work related injury and ill health.
- ◆ Develop & maintain the Health & Safety objectives & targets and conduct health & safety programs for achieving the objectives and target.
- ◆ The prevention of accidents through the identification, assessment and elimination of workplace hazards and the promotion of health & safety awareness among its employees and contractors.
- ◆ Encourage employee's participation and consultation in matters affecting the health, safety and well being of our people and seek suggestions from our employees of ways in which health, safety & well being can be furthered.

The Health & safety policy is publicly available on request.

Environmental Policy

We as a member of BCH Electric Limited manufacturer of Low Voltage Switchgear & Controlgear products, are fully committed to conduct Business in compliance to applicable Environmental legislation and regulation.

We shall continually improve through -

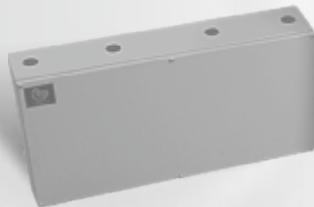
- ◆ Provide a framework for setting and reviewing environmental objectives and targets.
- ◆ Regularly review the impact of our activities on environment and strive to reduce the pollution/waste.
- ◆ Involve employees in our environmental program and provide necessary training to enable them to discharge their responsibilities towards environment management.
- ◆ Sustain the program of continual improvement in environment in environmental performance incorporating suitable metrics and monitoring.

The Environment policy is publicly available on request.



www.bchindia.com

Enclosure Systems



- Bhartia Boxes IP: 55, IP: 66
- 'BCH-SS' (Stainless Steel) Boxes
- Terminal Boxes IP:55 & IP:66
- Techno - Modular Enclosures
- Smartline - Modular Enclosures
- Semi-Modular Enclosure
- TEOS Plus Enclosure
- TCE Series Enclosure
- Compartmentalized Enclosure (Fixed & Draw-out)
- IT Racks - 19" and ETSI Racks

Enclosure Systems BCH

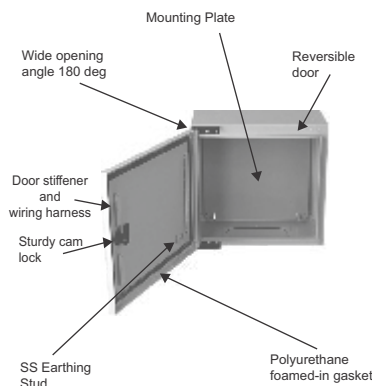
Bhartia Boxes

HSN Code : 8538



- 51 Different Versions
- Single/Double door versions
- Min. Size : 200 X 200 X 150
- Max Size : 1200 X 1400 X 400
- Degree of protection IP55/IP66/IK10
- CE Certified

Double door version



Technical Particulars (BHARTIA BOXES)

- Fabricated from 1.2mm / 1.6mm CRCA sheet steel (Sizes upto BIL-50180 made from 1.2mm CRCA, beyond this using 1.6mm CRCA)
 - Foamed-in PU gasket
 - Hinged door, interchangeable LHS / RHS, opening angle 180 deg for standard hinge & 120 deg for concealed hinge in bigger sizes.
 - Degree of protection IP55/IP66/IK10
 - CE Certified
 - Cable gland plate 2mm thick provided at bottom
 - Cam locking arrangement
 - Powder coated to RAL : 7035 structure finish
 - Mounting Plate made up of 2.0mm Galvanised steel
- Note : Cutout charges will be extra
: Wall mounting bracket set is an additional accessory (for Bhartia Box & Terminal box it is not a part of standard packing)

HSN Code : 8538

Type	Cat. No.	MOQ	List Price [₹]
Set of Wall Mounting bracket (small)	BIL-WM-S	1	165
Set of Wall Mounting bracket (big)	BIL-WM-B	1	185
Set of Wall Mounting bracket Kit 20mm	BIL-WM-H20	1	280

Note :

- * Set of wall mounting bracket (small) is suitable for all range of terminal boxes and Bhartia boxes upto size : 400x500x200mm.
- * Set of wall mounting bracket (big) is suitable for Bhartia boxes beyond size : 400x500x200mm.

Effective from 11.06.2021

Type	Size (WxHxD) mm	IP-55 Range			IP-66 Range	
		MOQ Nos.	Cat. No.	List Price [₹]	Cat. No.	List Price [₹]
SINGLE DOOR BOX	200x200x150	1	BIL-50000	2730	BIL-60000	2865
SINGLE DOOR BOX	200x300x150	1	BIL-50010	3125	BIL-60010	3190
SINGLE DOOR BOX	250x300x150	1	BIL-50020	3245	BIL-60020	3345
SINGLE DOOR BOX	300x300x150	1	BIL-50030	3500	BIL-60030	3640
SINGLE DOOR BOX	300x300x200	1	BIL-50050	3730	BIL-60050	3950
SINGLE DOOR BOX	300x400x150	1	BIL-50060	3890	BIL-60060	4095
SINGLE DOOR BOX	300x400x200	1	BIL-50080	4365	BIL-60080	4395
SINGLE DOOR BOX	400x300x150	1	BIL-50090	3810	BIL-60090	4040
SINGLE DOOR BOX	400x300x200	1	BIL-50110	4275	BIL-60110	4340
SINGLE DOOR BOX	400x400x150	1	BIL-50120	4365	BIL-60120	4445
SINGLE DOOR BOX	400x400x200	1	BIL-50140	4625	BIL-60140	4770
SINGLE DOOR BOX	400x500x150	1	BIL-50150	4925	BIL-60150	5185
SINGLE DOOR BOX	400x500x200	1	BIL-50170	5220	BIL-60170	5365
SINGLE DOOR BOX	500x500x200	1	BIL-50180	6155		
SINGLE DOOR BOX	400x600x200	1	BIL-50190	6155	BIL-60190	6240
SINGLE DOOR BOX	500x600x200	1	BIL-50210	7060	BIL-60210	7275
SINGLE DOOR BOX	500x700x200	1	BIL-50220	8030		
SINGLE DOOR BOX	500x700x300	1	BIL-50230	9235		
SINGLE DOOR BOX	600x400x200	1	BIL-50240	6270	BIL-60240	6505
SINGLE DOOR BOX	600x400x300	1	BIL-50250	8060		
SINGLE DOOR BOX	600x500x200	1	BIL-50260	7275	BIL-60260	7860
SINGLE DOOR BOX	600x600x200	1	BIL-50270	7570		
SINGLE DOOR BOX	600x600x300	1	BIL-50280	9095		
SINGLE DOOR BOX	600x700x200	1	BIL-50290	9120		
SINGLE DOOR BOX	600x800x200	1	BIL-50300	9150		
SINGLE DOOR BOX	600x800x300	1	BIL-50320	10465		
SINGLE DOOR BOX	600x1000x200	1	BIL-50330	11530		
SINGLE DOOR BOX	600x1000x300	1	BIL-50340	13085		
SINGLE DOOR BOX	800x800x300	1	BIL-50310	12205		
SINGLE DOOR BOX	800x1000x200	1	BIL-50350	13590		
SINGLE DOOR BOX	800x1000x250	1	BIL-50360	13875		
SINGLE DOOR BOX	800x1000x300	1	BIL-50390	14035		
SINGLE DOOR BOX	800x1200x300	1	BIL-50395	17490		
DOUBLE DOOR BOX	1000x800x200	1	BIL-50500	14665		
DOUBLE DOOR BOX	1000x800x300	1	BIL-50520	16820		
DOUBLE DOOR BOX	1000x1000x300	1	BIL-50540	19560		
DOUBLE DOOR BOX	1000x1200x300	1	BIL-50550	22485		
DOUBLE DOOR BOX	1000x1400x300	1	BIL-50560	26900		
DOUBLE DOOR BOX	1200x1400x300	1	BIL-50570	29905		
DOUBLE DOOR BOX	1000x1400x400	1	BIL-50580	28360		
DOUBLE DOOR BOX	1200x1400x400	1	BIL-50590	31215		

MOQ. Minimum order quantity in nos.

Canopy for Bhartia Boxes

HSN Code : 8538

Size (WxHxD) mm	Cat. No.	MOQ Nos.	List Price [₹]	Size (WxHxD) mm	Cat. No.	MOQ Nos.	List Price [₹]
200WX150D	BIL-12-CAN-2015	1	715	600WX200D	BIL-16-CAN-6020	1	1375
250WX150D	BIL-12-CAN-2515	1	815	600WX300D	BIL-16-CAN-6030	1	1685
300WX150D	BIL-12-CAN-3015	1	865	800WX300D	BIL-16-CAN-8030	1	2060
300WX200D	BIL-12-CAN-3020	1	950	800WX200D	BIL-16-CAN-8020	1	1665
400WX150D	BIL-12-CAN-4015	1	985	800WX250D	BIL-16-CAN-8025	1	1800
400WX200D	BIL-12-CAN-4020	1	1090	1000WX200D	BIL-16-CAN-1020	1	1960
500WX200D	BIL-12-CAN-5020	1	1230	1000WX300D	BIL-16-CAN-1030	1	2410
500WX300D	BIL-12-CAN-5030	1	1515				

*List Prices are Ex-works Faridabad. For detail refer Enclosure Selling Terms & Conditions.

***GST to be charged extra**



Enclosure Systems BCH



- Fabricated from 1.2/1.5 mm stainless steel sheet
- Mounting Plate made up of 2.0mm Galvanised steel
- SS grade 304
- Foamed - in PU gasket
- Box upto BIL - 90405020 is made up of 1.2 mm SS & above of 1.5 MM SS.
- 120 deg door open-able concealed hinge door with cam locking arrangement.

'BCH - SS' (Stainless Steel)

HSN Code : 8538

Type	Size (WxHxD) mm	MOQ Nos.	Cat No.	List Price [₹]
SINGLE DOOR BOX	200X300X150	3	BIL-90203015	5890
SINGLE DOOR BOX	300X300X200	3	BIL-90303020	8165
SINGLE DOOR BOX	400X400X200	3	BIL-90404020	10800
SINGLE DOOR BOX	400X500X200	3	BIL-90405020	12030
SINGLE DOOR BOX	400X600X200	3	BIL-90406020	13790
SINGLE DOOR BOX	500X600X200	3	BIL-90506020	17665
SINGLE DOOR BOX	600X600X200	3	BIL-90606020	18895
SINGLE DOOR BOX	600X800X200	3	BIL-90608020	22455
SINGLE DOOR BOX	500X700X300	3	BIL-90507030	22815
SINGLE DOOR BOX	800X800X300	3	BIL-90808030	31405

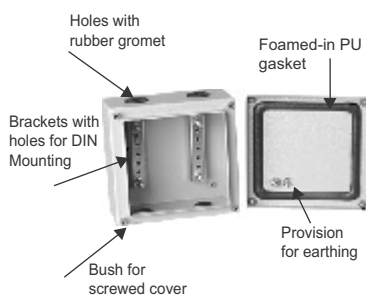
MOQ - Minimum order quantity in nos.
 Note - SS grade 304

Terminal Boxes

HSN Code : 8538



- 43 Different Versions
- Min. Size : 150 X 150 X 80
- Max Size : 800 X 400 X 120
- Degree of protection IP55/IP66/IK10
- CE Certified



Technical Particulars (TERMINAL BOXES)

- Fabricated from 1.2mm CRCA sheet steel
- Powder coated to shade RAL 7035 Structure finish
- Foamed-in PU gasket
- Provided with screwed cover on top
- Degree of protection IP55/IP66/IK10
- CE Certified
- Brackets provided inside to facilitate DIN rail mounting
- Holes with Gromet provided to facilitate cable entry in IP 55 terminal boxes

Note: Cutout charges will be extra

Box Size (W x H x D)	IP-55 Range			IP-66 Range	
	MOQ	Cat. No.	List Price [₹]	Cat. No.	List Price [₹]
150x150x80	5	BIL-70000	1355	BIL-80000	1400
200x150x80	-			BIL-80100	1540
300x150x80	5	BIL-70010	1595	BIL-80010	1780
200x200x80	5	BIL-70020	1525	BIL-80020	1620
300x200x80	5	BIL-70030	1665	BIL-80030	1735
400x200x80	-			BIL-80110	1850
600x200x80	-			BIL-80130	2525
150x150x120	5	BIL-70040	1500	BIL-80040	1595
200x150x120	-			BIL-80150	1650
300x150x120	5	BIL-70050	1780	BIL-80050	1815
200x200x120	5	BIL-70060	1735	BIL-80060	1780
300x200x120	5	BIL-70070	1930	BIL-80070	1970
400x200x120	5	BIL-70080	2165	BIL-80080	2240
300x300x120	5	BIL-70090	2305	BIL-80090	2395
400x150x120	-			BIL-80170	2140
400x300x120	5	BIL-70180	2550	BIL-80180	2865
400x400x120	5	BIL-70190	3005	BIL-80190	3245
500x200x120	5	BIL-70200	2635	BIL-80200	2815
500x300x120	5	BIL-70210	2925	BIL-80210	3095
600x200x120	5	BIL-70220	2945	BIL-80220	3105
600x300x120	5	BIL-70230	3600	BIL-80230	3750
600x400x120	5	BIL-70240	3950	BIL-80240	4085
800x200x120	5	BIL-70250	4160	BIL-80250	4300
800x400x120	5	BIL-70260	5065	BIL-80260	5165

MOQ-Minimum order quantity in nos.

*List Prices are Ex-works Faridabad. For detail refer Enclosure Selling Terms & Conditions.
 *GST to be charged extra



Enclosure Systems BCH

Techno Modular Enclosures

HSN Code : 8538

Size of Enclosure (W x H x D in mm)	Cat. No.	Enclosure Version*				Plinth		Side Covers (Pair)	
		Ver 001 LP [₹]	Ver 002 LP [₹]	Ver 003 LP [₹]	Ver 004 LP [₹]	Cat. No.	List Price [₹]	Cat. No.	List Price [₹]
600 x 1800 x 400	TME 061804	26715	29760	21220	24495	TPL 061804	2590	TSC 061804	5175
800 x 1800 x 400	TME 081804	31920	35025	24260	28050	TPL 081804	2955	TSC 081804	5175
1000 x 1800 x 400	TME 101804	43930	47345	34065	37260	TPL 101804	3315	TSC 101804	5175
1200 x 1800 x 400	TME 121804	49355	55140	38300	42450	TPL 121804	3635	TSC 121804	5175
600 x 1800 x 500	TME 061805	27910	30725	22640	25455	TPL 061805	2775	TSC 061805	6010
800 x 1800 x 500	TME 081805	32495	36590	25980	29090	TPL 081805	3125	TSC 081805	6010
1000 x 1800 x 500	TME 101805	45120	48535	35550	39190	TPL 101805	3480	TSC 101805	6010
1200 x 1800 x 500	TME 121805	50310	57155	40295	45275	TPL 121805	3790	TSC 121805	6010
800 x 1800 x 600	TME 081806	34650	36375	28205	30875	TPL 081806	3260	TSC 081806	6685
600 x 2000 x 400	TME 062004	28800	32360	22115	26280	TPL 062004	2590	TSC 062004	5565
800 x 2000 x 400	TME 082004	33515	36815	25610	29075	TPL 082004	2955	TSC 082004	5565
1000 x 2000 x 400	TME 102004	48010	50685	37330	39920	TPL 102004	3315	TSC 102004	5565
1200 x 2000 x 400	TME 122004	51575	57000	41265	46765	TPL 122004	3635	TSC 122004	5565
600 x 2000 x 500	TME 062005	30570	33100	25085	28355	TPL 062005	2775	TSC 062005	6535
800 x 2000 x 500	TME 082005	34295	37855	26425	30135	TPL 082005	3125	TSC 082005	6535
1000 x 2000 x 500	TME 102005	47495	53140	37855	42005	TPL 102005	3480	TSC 102005	6535
1200 x 2000 x 500	TME 122005	51935	57155	40820	45275	TPL 122005	3790	TSC 122005	6535
600 x 2000 x 600	TME 062006	31015	34065	26565	29620	TPL 062006	2925	TSC 062006	7270
800 x 2000 x 600	TME 082006	35475	38665	28490	31685	TPL 082006	3260	TSC 082006	7270
1000 x 2000 x 600	TME 102006	48245	55360	38440	44815	TPL 102006	3610	TSC 102006	7270
1200 x 2000 x 600	TME 122006	52960	58705	42885	48385	TPL 122006	3945	TSC 122006	7270
600 x 2000 x 800	TME 062008	31920	34295	26645	29975	TPL 062008	3260	TSC 062008	9350
800 x 2000 x 800	TME 082008	36955	39700	30200	33070	TPL 082008	3610	TSC 082008	9350
1000 x 2000 x 800	TME 102008	52960	56475	40820	45275	TPL 102008	3895	TSC 102008	9350
1200 x 2000 x 800	TME 122008	55670	61740	45725	50310	TPL 122008	4290	TSC 122008	9350
600 x 2200 x 600	TME 062206	34960	38300	27760	32945	TPL 062206	2925	TSC 062206	8425
800 x 2200 x 600	TME 082206	39560	42155	31835	35105	TPL 082206	3260	TSC 082206	8425
1000 x 2200 x 600	TME 102206	54770	58990	45005	49230	TPL 102206	3610	TSC 102206	8425
1200 x 2200 x 600	TME 122206	56915	63530	44240	49425	TPL 122206	3945	TSC 122206	8425
600 x 2200 x 800	TME 062208	38120	41350	29245	33765	TPL 062208	3260	TSC 062208	10945
800 x 2200 x 800	TME 082208	46010	48690	35335	38440	TPL 082208	3610	TSC 082208	10945
1000 x 2200 x 800	TME 102208	58325	62845	47345	50915	TPL 102208	3895	TSC 102208	10945
1200 x 2200 x 800	TME 122208	63085	66635	51655	55140	TPL 122208	4290	TSC 122208	10945

*Baying kit (BIL-14280) Rs. 1750/- is also available for Enclosure Version. For extra accessories, please contact nearest branch office.

MOQ-Minimum order quantity in nos.

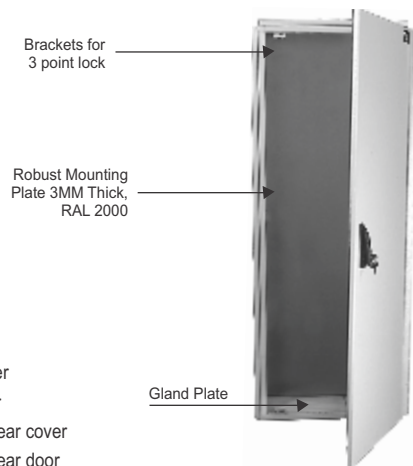
Note : Cutout charges will be extra

Freight charges will be extra at actuals

*List Prices are Ex-works Faridabad. For detail refer Enclosure Selling Terms & Conditions.

***GST to be charged extra**

Enclosure Systems BCH



Modular Enclosures

- Enclosures
- Minimum size in mm :
600 x 1800 x 400 (W x H x D)
- Maximum size in mm :
1200 x 2200 x 800 (W x H x D)
- Degree of protection IP55/IK10
- CE Certified
- Wide range of accessories

Features

- Completely modular in all the three axis
- Powder coated surface (RAL 7035) for excellent finish and durability
- PU Gasket ensuring higher degree of ingress protection
- 3mm mounting plate as a standard
- Manufactured on CNC Turret punch press for higher precision, finish and repeated accuracy
- Ideal for :
 - Special purpose machines
 - Control panels
 - Drives
 - Starter enclosures
 - Accessories for mounting 19" equipment

Enclosure Versions

- 001 - with mounting plate and rear cover
- 002 - with mounting plate and rear door
- 003 - without mounting plate and with rear cover
- 004 - without mounting plate and with rear door

To Order And Calculate List Price

- (a) Choose Cat. No. and LP of Enclosure version from 001, 002, 003 or 004
- (b) Add Cat. No. and LP of Plinth
- (c) Add Cat. No. and LP of Side Covers pair

General Technical Particulars

- Degree of protection IP55/IK10
- CE Certified
- Fabricated from 2/1.6 mm CRCA/GPSP (frame made up of 2.0mm GPSP, doors & covers made up of 1.6 mm CRCA).
- Fully bolted construction
- Mounting Plate with sliding arrangement - standard & Powder coated to RAL-2000
- Modular Plinth (optional) 100mm high fabricated from CRCA
- Cable entry provision is given from Bottom & made in 3-part construction with Galvanized steel [Unpainted]
- Foamed-in PU gasket
- Powder coated to RAL : 7035 structure finish
- Hinge design allows 120 deg. Door opening
- 3 point lock provided as standard
- Door stiffener with provision of drilling holes for wiring harness.
- Side Covers - Pair : consisting of 1no. LHS and 1no. RHS cover
- To calculate limiting dimension of the enclosure, add 44mm to the width to account for Side Covers,
- 22mm to the height for Top Cover & 44mm to the depth on account of Front and Rear door / cover.

Note : upto 800 mm width single door
1000 mm & 1200 mm width double leaf door

***List Prices are Ex-works Faridabad. For detail refer Enclosure Selling Terms & Conditions.
*GST to be charged extra**

Smartline Modular Enclosure BCH

SmartLine TME

HSN Code : 8538

Size of Enclosure (W x H x D in mm)	Cat. No.	Enclosure Version*				Plinth		Side Covers (Pair)	
		Ver 001 LP [₹]	Ver 002 LP [₹]	Ver 003 LP [₹]	Ver 004 LP [₹]	Cat. No.	List Price [₹]	Cat. No.	List Price [₹]
600 x 1800 x 500	SLE 061805	25980	29395	21070	24260	TPL 061805	2775	SLSC 061805	5425
800 x 1800 x 600	SLE 081806	32360	34730	26565	29530	TPL 081806	3260	SLSC 081806	6010
600 x 2000 x 600	SLE 062006	28950	32360	24785	27760	TPL 062006	2925	SLSC 062006	6565
800 x 2000 x 600	SLE 082006	33165	36730	26645	30115	TPL 082006	3260	SLSC 082006	6565
1200 x 2000 x 600	SLE 122006	50400	55780	40820	45970	TPL122006	3945	SLSC 122006	6565
600 x 2000 x 800	SLE 062008	29620	32585	24945	28135	TPL 062008	3260	SLSC 062008	8435
800 x 2000 x 800	SLE 082008	35105	37695	28135	31390	TPL 082008	3610	SLSC 082008	8435
1200 x 2000 x 800	SLE 122008	51795	58775	43490	47840	TPL 122008	4290	SLSC 122008	8435

Note : Cutout / customization charges will be extra.

*Baying kit (**BIL-14280**) Rs. 1750/- is also available for Enclosure Version. For extra accessories, please contact nearest branch office.

Enclosure Versions

- 001 - With mounting plate and rear cover.
- 002 - With mounting plate and rear door
- 003 - Without mounting plate and with rear cover
- 004 - Without mounting plate and with rear door

To Order and Calculate List Price

(a) Choose Cat. No. and LP of Enclosure version from 001, 002, 003 or 004

(b) Add Cat. No. and LP of Plinth

(c) Add Cat. No. and LP of Side Covers pair

General Technical Particulars

- IP-54 degree of protection
- Fabricated from CRCA/GPSP (frame made up of GPSP, doors & covers made up of CRCA sheet).
- Modular construction
- Mounting plate and cable entry plate made up of Galvanized steel [Unpainted]
- Plinth (optional) 100mm high fabricated from CRCA sheet.
- Cable entry provision is given from Bottom as standard
- Foamed-in PU gasket
- Powder coated to RAL : 7035 structure finish
- Hinge design allows 120 deg. Door opening
- 3 point lock provided as standard
- Door stiffener with provision of drilling holes for wiring harness.
- Side Covers - Pair: consisting of 1no. LHS and 1no. RHS cover
- To calculate limiting dimension of the enclosure, add 44mm to the width to account for Side Covers, 22mm to the height for Top Cover & 44mm to the depth on account of Front and Rear door / cover.

Note : Upto 800 mm width single door. 1000 mm & 1200 mm width double leaf door

***List Prices are Ex-works Faridabad. For detail refer Enclosure Selling Terms & Conditions.**

***GST to be charged extra**



Semi-Modular Floor Standing Enclosure..... BCH

HSN Code : 8538

Size of Enclosure (W x H x D in mm)	Cat. No.	List Price [₹]	Plinth		Side Covers (Pair)	
			Cat. No.	List Price [₹]	Cat. No.	List Price [₹]
600X1800X400	FCS 061804	On Request	FCS-PL 061804	On Request	FCS-SC 061804	On Request
600X1800X500	FCS 061805		FCS-PL 061805		FCS-SC 061805	
800X1800X600	FCS 081806		FCS-PL 081806		FCS-SC 081806	
600X2000X600	FCS 062006		FCS-PL 062006		FCS-SC 062006	
800X2000X500	FCS 082005		FCS-PL 082005		FCS-SC 082005	
800X2000X600	FCS 082006		FCS-PL 082006		FCS-SC 082006	
800X2000X800	FCS 082008		FCS-PL 082008		FCS-SC 082008	
1000X2000X600	FCS 102006		FCS-PL 102006		FCS-SC 102006	
1000X2000X800	FCS 102008		FCS-PL 102008		FCS-SC 102008	
1200X2000X500	FCS 122005		FCS-PL 122005		FCS-SC 122005	
1200X2000X600	FCS122006		FCS-PL122006		FCS-SC122006	
1200X2000X800	FCS 122008		FCS-PL 122008		FCS-SC 122008	

Note : Sizes are available in all FOUR version like TME.

Enclosure Versions

- Ver-001 - With mounting plate and rear cover.
- Ver-002 - With mounting plate and rear door
- Ver-003 - Without mounting plate and with rear cover
- Ver-004 - Without mounting plate and with rear door

To Order and Calculate List Price

- (a) Choose Cat. No. and LP of Enclosure version from 001, 002, 003 or 004
- (b) Add Cat. No. and LP of Plinth
- (c) Add Cat. No. and LP of Side Covers pair

Note:

- Cutout / customization charges will be extra.
- Baying Kit (BIL-FCS-14280) is also available for Enclosure Versions.
- For extra accessories, Please contact nearest branch office.

Technical Particulars (Semi-Modular Enclosure)

- Unique symmetric front and rear welded frame with modular depth member which resultant fastest assembly and uniformity.
- IP-55 Degree of Protection
- Front and Rear Frame welded & depth members are modular
- Fabricated from 2.0mm/1.6mm CRCA
- Mounting plate made of 2mm thick Galvanized sheet
- Cable entry from bottom of panel as standard
- Powder coated to RAL-7035 Structure finish
- Limiting dimension of the enclosure are same as per sizes given
- Adjustable mounting plate depth wise
- Foamed-in PU gasket
- 3 point lock provided as standard
- Door stiffener with provision of drilling holes for wiring harness.
- Side Covers - Flush Type Side cover Pair consisting of 1no LHS and 1no RHS cover



*List Prices are Ex-works Faridabad. For detail refer Enclosure Selling Terms & Conditions.
*GST to be charged extra



TEOS Plus Enclosure BCH-TEKPAN

TEOS Plus Enclosure

HSN Code : 8538

Size of Enclosure (W x H x D in mm)	Cat. No.	List Price [₹]
600 x 1800 x 500	TEOS061805	On Request
800 x 1800 x 600	TEOS081806	
600 x 2000 x 600	TEOS062006	
800 x 2000 x 600	TEOS082006	
800 x 2000 x 800	TEOS082008	
1200 x 2000 x 600	TEOS122006	
1000 x 2000 x 800	TEOS102008	
1200 x 2000 x 800	TEOS122008	

Front Door, Rear Door, Rear Cover & Mounting plate shall be supplied as per requirement.



Plinth Corner

HSN Code : 8538

Description	Cat. No.	List Price [₹]
PLINTH CORNER PART H100mm	708.100	On Request

Supply included:- 4 pcs 100mm height corner & mounting accessories.

Plinth Front Cover

HSN Code : 8538

Description	Cat. No.	List Price [₹]
PLINTH FRONT PROFILE :600	709.160	On Request
PLINTH FRONT PROFILE :800	709.180	
PLINTH FRONT PROFILE :1000	709.100	
PLINTH FRONT PROFILE :1200	709.120	

Supply included:- 2 pcs 100mm height front cover & mounting accessories.

Plinth Side Cover

HSN Code : 8538

Description	Cat. No.	List Price [₹]
PLINTH SIDE PROFILE :500	710.150	On Request
PLINTH SIDE PROFILE :600	710.160	
PLINTH SIDE PROFILE :800	710.180	

Supply included:- 2 pcs 100mm height side cover & mounting accessories.

Side Cover

HSN Code : 8538

Description	Cat. No.	List Price [₹]
Pair of side cover 500*1800	706.185	On Request
Pair of side cover 600*1800	706.186	
Pair of side cover 600*2000	706.206	
Pair of side cover 800*1800	706.188	
Pair of side cover 800*2000	706.208	

Supply included:- 2 pcs side cover & mounting accessories

Technical Particulars (TEOS Plus Enclosure)

- Multifold (12-Fold) structure with 100% Modularity.
- IP-65 Degree of Protection.
- SEISMIC Tested for Zone-4 and UL Certified.
- Easy Assembly & Logistic advantages.
- 4-Point lock with Swing Handle.
- Powder coated to RAL: 7035 Structure Finish.
- Limiting dimension of the enclosure are same as per given dimension.

*List Prices are Ex-works Faridabad. For detail refer Enclosure Selling Terms & Conditions.

*GST to be charged extra



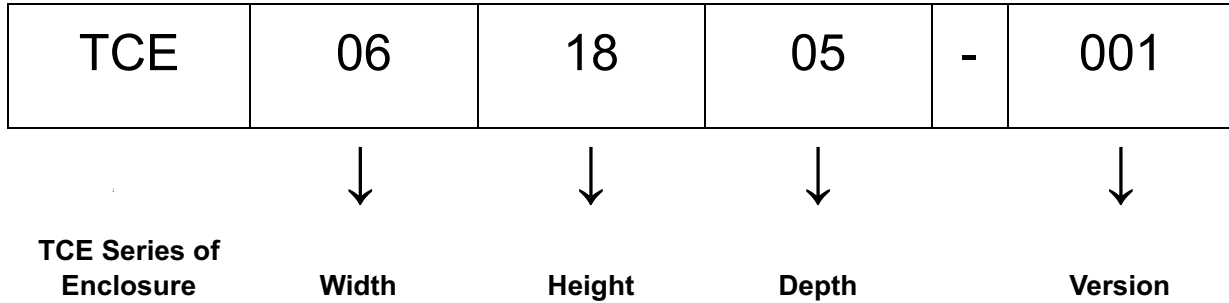
Note :

- Upto 800 mm width single door . 1000 mm & 1200 mm width double leaf door
- Cutout / customization charges will be extra
- For extra accessories, please contact nearest branch office.

TCE Series Enclosure..... BCH

TCE Series Enclosure Code Selection |

Example:-



Sizes Available |

Width	Height	Depth
06-600 W	18-1800 H	04-400 D
08-800 W	20-2000 H	05-500 D
10-1000 W	22-2200 H	06-600 D
12-1200 W		08-800 D

Version Details |

001	002	003	004	005
Structure: Front Door with Hinge Rear Bolted Cover STD Gland Plate Top Cover Eye Bolt 01 Mounting Plate	Structure: Front Door with Hinge Rear Door with Hinge STD Gland Plate Top Cover Eye Bolt 01 Mounting Plate	Structure: Front Door with Hinge Rear Bolted Cover STD Gland Plate Top Cover Eye Bolt No Mounting Plate	Structure: Front Door with Hinge Rear Door with Hinge STD Gland Plate Top Cover Eye Bolt No Mounting Plate	Structure: Front Door with Hinge Rear Door with Hinge STD Gland Plate Top Cover Eye Bolt 2 Mounting Plate

*List Prices are Ex-works Faridabad. For detail refer Enclosure Selling Terms & Conditions.

***GST to be charged extra**

TCE Series Enclosure.....BCH

Technical Particulars for TCE Series

- IP66-IK10 for single door enclosure
- IP65-IK10 for double door enclosure
- Structure made up with 2.0mm CRCA
- Door made up with 2.0mm CRCA and covers made up with 1.6mm CRCA
- Bottom 3-part cable entry provision as standard and made up with 2.0mm GPSP
- Mounting plate with sliding arrangement and made up with 3.0mm CRCA.
- Push fit Die casted hinge provided at doors.
- Door with Interchangeability features (LHS/RHS)
- 4-point locking provides as standards
- Separate locking at LHS door with swing handle
- Door stiffener with provision of drilling holes for wiring harness.
- Eye bolt as standard for lifting
- Modular Plinth (optional) 100mm Height with Black finish
- Side Covers – Pair consisting of 1no. LHS and 1no. RHS cover
- Surface finish to enclosure RAL-7035 and Mounting plate RAL-2000



Note: up to 800 mm width single door
1000 mm & 1200 mm width double door

IK 10



CE

*List Prices are Ex-works Faridabad. For detail refer Enclosure Selling Terms & Conditions.

***GST to be charged extra**

TCE Series Enclosure..... BCH

HSN Code: 8538

Size of Enclosure in mm			Cat No.	Enclosure Version*				
Width (H)	Height (H)	Depth (D)		VER-001 LP[₹]	VER-002 LP[₹]	VER-003 LP[₹]	VER-004 LP[₹]	VER-005 LP[₹]
600	1800	400	TCE061804	28620	31885	22735	26250	
800	1800	400	TCE081804	34190	37520	25995	30050	
1000	1800	400	TCE101804	47065	50720	36500	39920	
1200	1800	400	TCE121804	52890	59075	41030	45475	
600	1800	500	TCE061805	29905	32920	24255	27265	
800	1800	500	TCE081805	34820	39200	27830	31165	
1000	1800	500	TCE101805	48335	52010	38080	41980	
1200	1800	500	TCE121805	53895	61235	43170	48505	
800	1800	600	TCE081806	37130	38960	30215	33075	45260
800	1800	800	TCE081808	38740	42620	32225	36095	51705
600	2000	400	TCE062004	30850	34680	23690	28145	
800	2000	400	TCE082004	35910	39435	27440	31150	
1000	2000	400	TCE102004	51430	54305	39985	42765	
1200	2000	400	TCE122004	55245	61065	44205	50105	
600	2000	500	TCE062005	32745	35460	26875	30375	
800	2000	500	TCE082005	36735	40550	28305	32275	
1000	2000	500	TCE102005	50880	56935	40550	44995	
1200	2000	500	TCE122005	55635	61235	43735	48505	
600	2000	600	TCE062006	33235	36500	28460	31730	43920
800	2000	600	TCE082006	38010	41415	30520	33940	49160
1000	2000	600	TCE102006	51690	59310	41175	48005	71910
1200	2000	600	TCE122006	56740	62900	45950	51835	76375
600	2000	800	TCE062008	34190	36735	28555	32120	47850
800	2000	800	TCE082008	39595	42525	32355	35435	51785
1000	2000	800	TCE102008	56740	60500	43735	48505	70660
1200	2000	800	TCE122008	59640	66155	48990	53895	78925
600	2200	600	TCE062206	37455	41030	29735	35295	49160
800	2200	600	TCE082206	42385	45165	34115	37610	52705
1000	2200	600	TCE102206	58680	63205	48220	52740	73875
1200	2200	600	TCE122206	60975	68070	47390	52950	84665
600	2200	800	TCE062208	40835	44300	31330	36175	47135
800	2200	800	TCE082208	49295	52165	37845	41175	57030
1000	2200	800	TCE102208	62495	67335	50720	54550	78465
1200	2200	800	TCE122208	67595	71400	55350	59075	88495

*List Prices are Ex-works Faridabad. For detail refer Enclosure Selling Terms & Conditions.

***GST to be charged extra**

TCE Series Enclosure..... BCH

TCE Bottom Plinth 100mm Height

HSN Code: 8538

Size in MM		Cat No	LP[₹]
Width (H)	Depth (D)		
600	400	TCEPL0604	2570
800	400	TCEPL0804	2940
1000	400	TCEPL1004	3290
1200	400	TCEPL1204	3605
600	500	TCEPL0605	2755
800	500	TCEPL0805	3095
1000	500	TCEPL1005	3460
1200	500	TCEPL1205	3760
600	600	TCEPL0606	2910
800	600	TCEPL0806	3235
1000	600	TCEPL1006	3575
1200	600	TCEPL1206	3905
600	800	TCEPL0608	3235
800	800	TCEPL0808	3575
1000	800	TCEPL1008	3870
1200	800	TCEPL1208	4250



TCE Side Panel

HSN Code: 8538

Size in MM		Cat No	LP[₹]
Height (H)	Depth (D)		
1800	400	TCESP0418	5140
1800	500	TCESP0518	5965
1800	600	TCESP0618	6635
1800	800	TCESP0818	8850
2000	400	TCESP0420	5520
2000	500	TCESP0520	6490
2000	600	TCESP0620	7210
2000	800	TCESP0820	9280
2200	600	TCESP0622	8350
2200	800	TCESP0822	10855

MOQ-Minimum order quantity in nos.

Note: Cutout charges will be extra

Freight charges will be extra at actuals

*List Prices are Ex-works Faridabad. For detail refer Enclosure Selling Terms & Conditions.

***GST to be charged extra**

TCE Series Enclosure..... BCH

TCE Series Enclosure Accessories

Baying system

HSN Code: 8538

Sl. No	Description	Cat No	LP[₹]
1	Baying Kit	TCE-14280	1905
2	Combination Angle (Pack of 2)	TCE-14281	1000

Mounting plate filler profile

HSN Code: 8538

Sl. No	Description	Cat No	LP[₹]
1	Filler plate for 1800mm Height	TCE-FP-1800	1450
2	Filler plate for 2000mm Height	TCE-FP-2000	1600
3	Filler plate for 2200mm Height	TCE-FP-2200	1750

Wiring plan pocket

HSN Code: 8538

Sl. No	Description	Cat No	LP[₹]
1	File pocket 500mm Width	TCE-TPKT-500	700
2	File pocket 600mm Width	TCE-TPKT-600	850
3	File pocket 800mm Width	TCE-TPKT-800	1100

Lamp rail

HSN Code: 8538

Sl. No	Description	Cat No	LP[₹]
1	Lamp rail 600mm Width	TCE-LAMP-RAIL-600	200
2	Lamp rail 800mm Width	TCE-LAMP-RAIL-800	270
3	Lamp rail 1000mm Width	TCE-LAMP-RAIL-1000	340
4	Lamp rail 1200mm Width	TCE-LAMP-RAIL-1200	410

Limit switch with fixing arrangement

HSN Code: 8538

Sl. No	Description	Cat No	LP[₹]
1	BCH Limit switch	TCE-LC	850

Punched section for depth

HSN Code: 8538

Sl. No	Description	Cat No	LP[₹]
1	Punched section 400mm depth	TCE-PSD-400	500
2	Punched section 500mm depth	TCE-PSD-500	700
3	Punched section 600mm depth	TCE-PSD-600	900
4	Punched section 800mm depth	TCE-PSD-800	1200

Punched section for width

HSN Code: 8538

Sl. No	Description	Cat No	LP[₹]
1	Punched section 600mm width	TCE-PSW-600	1000
2	Punched section 800mm width	TCE-PSW-800	1200
3	Punched section 1000mm width	TCE-PSW-1000	1400
4	Punched section 1200mm width	TCE-PSW-1200	1600

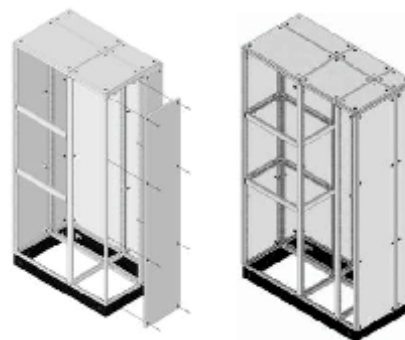
*List Prices are Ex-works Faridabad. For detail refer Enclosure Selling Terms & Conditions.

***GST to be charged extra**

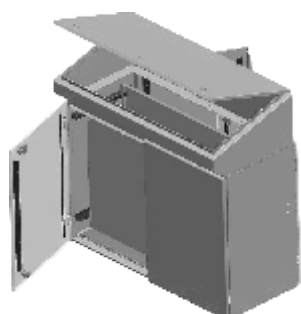
Highlights of **BCH** Compartmentalized **MCC / PCC / PMCC** Solution (Fixed & Drawed Type)



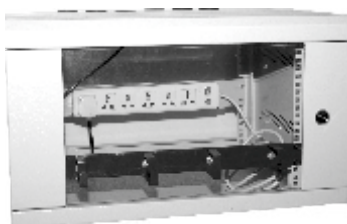
- 100% Modular Structure; can be dispatched in flat pack.
- Flexible compartmentalized -up to From 4.
- IP 54 degree of protection with polyurethane foam gasket.
- Compartment size available from 200mm height & multiplies of 100mm.
- Additional accessories like Cable support, Busbar support, Limit Switch and Lamp brackets are available.
- Adjustable mounting plates (Depth wise at the pitch of 25mm).
- Panel can be expanded in all 3 dimensions and bayed together by using Baying Kit.
- All Structure members (Corner & Cross bar) having M6 extrude hole at 25mm intervals, No need of any Captive hardware.
- Standard Module dimension for Drawout Enclosures.
 - ▷ Single Front :- 900(W) x 2400(H) x 600(D)
 - ▷ Double Front :- 900(W) x 2400(H) x 1200(D)
- Draw-out feeder available from 200mm height (2SU) to 800mm height (8SU).
- Colours :- RAL-7035 (Structure finish) for structure, doors, covers & internal parts RAL-2000 (smooth finish) for Mounting plates, Ral-9000 (Smooth Finish) for Plinth .
- Sheet thickness 2.0mm GPSP for structure, 2.0mm CRCA for Mounting Plate & Mounting rail, 1.6mm CRCA for Doors & Covers, 1.2mm CRCA for Separation plates.



BCH Control Desk



Enclosure Systems *technoRACKS* BCH



Key Attributes:

- Aesthetic & robust construction
- Mounting Fan /s in top doesn't take usable "U" space.
- Special type of Wallmounting hardware.
- Provision for earthing available in the cabinets.
- Highly corrosion resistant in nature.
- Power coated to shade RAL : 7035 structure finish.

19" Wall Mount Racks

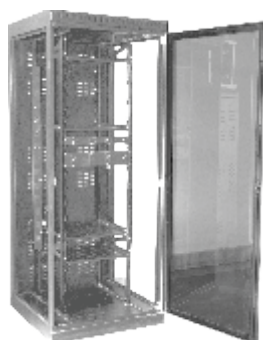
HSN Code : 8538

Dimensions (H x W x D) mm	MOQ Nos.	Cat. No.	List Price [₹]
6UX550X400	1	BIL-W-6-5504	5145
9UX550X400	1	BIL-W-9-5504	6205
6UX550X500	1	BIL-W-6-5505	5680
9UX550X500	1	BIL-W-9-5505	6620
12UX550X500	1	BIL-W-12-5505	7355
15UX550X500	1	BIL-W-15-5505	8655

MOQ-Minimum order quantity in nos.

Standard Configuration: Wallmount cabinet, 2-Pairs of 19" rail.

Notes : Accessories viz. Shelves, Fans, power strips, cable managers captive H/W & wall mounting hardware etc. will be extra as per the accessories list furnished in the price list.
Wall mount racks price do not include freight & will be extra at actuals



Key Attributes:

- Floor mounting robust design.
- Lockable & removable side panels.
- 2-pairs of adjustable 19" rails.
- Front door with toughened glass & perforation.
- High load bearing capacity.
- Rear vented door.
- Provision for fan mounting in top which doesn't take usable "U" Space.
- Superior cable management facility in extra wide racks.
- 4-integrated vertical cable managers are default design of 800mm wide racks.
- Rear space saving split door with 3-point secure locking in extra wide (800mm) racks.
- Power coated to shade RAL : 7035 structure finish.

19" Networking Racks

HSN Code : 8538

Dimensions (H x W x D) mm	MOQ Nos.	Cat. No.	List Price [₹]
24U X 600 X 600	1	BIL-N-062406	28785
24U X 600 X 800	1	BIL-N-062408	31825
24U X 800 X 600	1	BIL-N-082406	36070
24U X 800 X 800	1	BIL-N-082408	39420
30U X 600 X 600	1	BIL-N-063006	31825
30U X 600 X 800	1	BIL-N-063008	34870
30U X 800 X 600	1	BIL-N-083006	39420
30U X 800 X 800	1	BIL-N-083008	43210
36U X 600 X 600	1	BIL-N-063606	34870
36U X 600 X 800	1	BIL-N-063608	38655
36U X 800 X 600	1	BIL-N-083606	43225
36U X 800 X 800	1	BIL-N-083608	46935
42U X 600 X 600	1	BIL-N-064206	40185
42U X 600 X 800	1	BIL-N-064208	43060
42U X 800 X 600	1	BIL-N-084206	47295
42U X 800 X 800	1	BIL-N-084208	52290
45U X 600 X 600	1	BIL-N-064506	46240
45U X 600 X 800	1	BIL-N-064508	48530
45U X 800 X 600	1	BIL-N-084506	50780
45U X 800 X 800	1	BIL-N-084508	55330

MOQ-Minimum order quantity in nos.

Notes : 1) Networking racks price do not include freight & this will be extra at actuals.

For more details visit : www.bchindia.com/technorack

*List Prices are Ex-works Faridabad. For detail refer Enclosure Selling Terms & Conditions.

***GST to be charged extra**

19" Server Racks

HSN Code : 8538

Key Attributes:

- Floor mounting robust design.
- Lockable & removable side panels.
- 2-pairs of adjustable 19" rails.
- Front door with toughened glass & perforation.
- High load bearing capacity.
- Rear vented door.
- Provision for fan mounting in top which doesn't take usable "U" Space.
- Superior cable management facility in extra wide racks.
- 4-integrated vertical cable managers are default design of 800mm wide racks.
- Rear space saving split door with 3-point secure locking
- locking in extra wide (800mm) racks.
- Power coated to shade RAL : 7035 structure finish.

Dimensions (H x W x D) mm	MOQ Nos.	Cat. No.	List Price [₹]
24U X 600 X 900	1	BIL-S-062409	32520
24U X 600 X 1000	1	BIL-S-062410	34560
30U X 600 X 900	1	BIL-S-063009	36770
30U X 600 X 1000	1	BIL-S-063010	38205
36U X 600 X 900	1	BIL-S-063609	40320
36U X 600 X 1000	1	BIL-S-063610	42465
42U X 600 X 900	1	BIL-S-064209	45335
42U X 600 X 1000	1	BIL-S-064210	48210
42U X 800 X 1000	1	BIL-S-084210	55480
45U X 600 X 900	1	BIL-S-064509	52390
45U X 600 X 1000	1	BIL-S-064510	55430

MOQ - Minimum order quantity in nos.

Notes: Server racks price do not include freight & this will be extra at actuals.

STANDARD CONFIGURATION: Basic frame, Top & bottom, Front Glass door with perforation, Rear vented door, Lockable & detachable side panels, 2-Pairs of 19" rails with depth members.



Key Attributes:

- Includes 1-Pair of 21" rails.
- Integrated side panels.
- Grouting arrangements along with grouting bolts as std. BOM
- Provision for power & detachable Cable entry/exit in top & bottom.
- Power coated to shade RAL : 7035 structure finish.

ETSI Racks

HSN Code : 8538

Dimensions (H x W x D) mm	MOQ Nos.	Cat. No.	List Price [₹]
2200 X 600 x 300	1	ITE-062203	11685
2200 X 600 x 600	1	ITE-062206	18805

MOQ - Minimum order quantity in nos.

Notes: Above ETSI configuration do not include front & rear door and covers.

All other accessories will be extra & will be furnished on request.
The prices mentioned above do not include freight.



Key Attributes:

- 1-Pair of vertical cable manager is default design.
- Surface pretreated and advance powder coated
- Grouting bolts as std. BOM.
- Power coated to shade RAL : 7035 structure finish.

19" Open Racks

HSN Code : 8538

Dimensions (H x W) mm	MOQ Nos.	Cat. No.	List Price [₹]
36U X 600	1	ITE-OF-0636	7590
45U X 600	1	ITE-OF-0645	8945

MOQ - Minimum order quantity in nos.

Notes: 1) Above Open Rack configuration does not include Shelves, Doors and Covers. All other accessories prices will be extra and will be furnished on request.

2) The Prices above do not include Freight and this will be extra at actuals.

For more details, visit : www.bchindia.com/technorack

*List Prices are Ex-works Faridabad. For detail refer Enclosure Selling Terms & Conditions.

***GST to be charged extra**

Accessories for 19" Racks

Fixed Shelf/Stationary Shelf

- Compatible to keep monitor, servers, non 19" Networking & allied equipments.

Key-Board Tray

- Sliding & rotatory type.

Canteliver Shelf

- It can accommodate light weighted networking & allied equipments like modem, routers etc.

Equipment Support Angle

- "L" type angles. Useful to keep non 19" heavy duty equipment in rack mounting position.

Sliding Shelf

- Useful to keep servers, networking & allied equipment which are required to slide out for operational & other purpose.

Fans/Fan Tray

- 220V 90 CFM Capacity. Can be mounted at the top either directly or through Fan housing unit (Fan Tray)

6-Point 5A Hor. Power Strip

- All universal type socket along with on/off switch with fuse & indicator. Internal strips are made up of Berellium copper that has high rate of heat & mechanical tolerance.
- Other 5A or 5/15A Power strips have Indian style (Anchor) Sockets with on/off switch/MCB.

Castors

- 1-Set includes 4Nos. of castors, 2Nos. with foot operated brake & remaining 2 are free.

Levelling Feet

- 1-Set includes 4Nos. of Levelling Feet.

Stability Plate

- It Prevents the racks from toppling while taking out heavy duty servers.

Shelves

HSN Code : 8538

Description	Cat No.	List Price [₹]
Fixed Shelf (600mmD)	BIL-A-FS-L-06	1310
Fixed Shelf (800mmD)	BIL-A-FS-L-08	2025
Fixed Shelf (900mmD)	BIL-A-FS-L-09	2250
Fixed Shelf (1000mmD)	BIL-A-FS-L-10	2420
Modem Tray	BIL-A-MD	1240
Key board tray (Sliding & Rotatory)	BIL-A-KB-06	3870
Canteliver Shelf (1U)	BIL-A-CS-1	780
Canteliver Shelf (2U)	BIL-A-CS-2	1165
Equipment Support Angle (600mmD)	BIL-A-ESA-06	485
Equipment Support Angle (800mmD)	BIL-A-ESA-08	545
Equipment Support Angle (900mmD)	BIL-A-ESA-09	685
Equipment Support Angle (1000mmD)	BIL-A-ESA-10	795
Sliding Shelf (900mmD)	BIL-A-SS-09	3870
Sliding Shelf (1000mmD)	BIL-A-SS-10	4020

Thermal Management

HSN Code : 8538

Description	Cat No.	List Price [₹]
1-Fan (Direct mounted)	BIL-A-SF	1310
Fan-tray with 2-Fans (FHU)	BIL-A-FHU-2FANS	2800
Fan-tray with 4-Fans (FHU)	BIL-A-FHU-4FANS	4875

Cable Management

HSN Code : 8538

Description	Cat No.	List Price [₹]
Horizontal Cable Manager (1U)	BIL-A-HCM-1U	310
Horizontal Cable Manager (2U)	BIL-A-HCM-2U	385
Vertical Cable Manager (24U)	BIL-A-VCM-24U	485
Vertical Cable Manager (30U)	BIL-A-VCM-30U	620
Vertical Cable Manager (36U)	BIL-A-VCM-36U	705
Vertical Cable Manager (42U)	BIL-A-VCM-42U	780
Vertical Cable Manager (45U)	BIL-A-VCM-45U	855

Power Management

HSN Code : 8538

Description	Cat No.	List Price [₹]
6-Point 5Amp Horizontal Power Strip (19")	BIL-A-HPS-5AMP	1275
5-Point 5/15Amp Horizontal Power Strip (19")	BIL-A-HPS-15AMP	1700
12-Point 5Amp Vertical Power Strip	BIL-A-12VPS-5AMP	2490
10-Point 5/15Amp Vertical Power Strip	BIL-A-10VPS-15AMP	2865
Earth continuity Kit (Earthing Kit)	BIL-A-ECT	965

Stability Management

HSN Code : 8538

Description	Cat No.	List Price [₹]
Castors (1-Set) Heavy Duty	BIL-A-CAS-HD	4675
Castors (1-Set) Light Duty	BIL-A-CAS	3720
Levelling Feet (1-Set)	BIL-A-LF	635
Stability Plate	BIL-A-SP	2345

Miscellaneous

HSN Code : 8538

Description	Cat No.	List Price [₹]
BAYING KIT	BIL-A-BK	460
BLANKING PANEL (1U)	BIL-A-BP-1U	215
BLANKING PANEL (2U)	BIL-A-BP-2U	280
BLANKING PANEL (3U)	BIL-A-BP-3U	360
BLANKING PANEL (4U)	BIL-A-BP-4U	445
BLANKING PANEL (5U)	BIL-A-BP-5U	495
Captive H/w (set of 10)	BIL-A-Captive-M6	215
Wallmounting H/w (set of 4)	BIL-A-wallmounting W	225

Notes : Packing & forwarding will be extra if accessories are ordered separately.

*List Prices are Ex-works Faridabad. For detail refer Enclosure Selling Terms & Conditions.
*GST to be charged extra



Price List

General Terms & Conditions

Prices are subject to change without any prior notice and will be applicable as prevailing at the time of dispatch.

- The prices are ex-works basis..
- The prices given in this list are effective as on date and are subject to change without notice.
- The List Prices (LP) mentioned are exclusive of GST.
- The duties, taxes and other statutory levies are based on rates prevailing at the time of billing. Any subsequent revision of those rates having retrospective effective shall be to customer's account.
- In case where any GST exemption has been claimed, the purchaser is responsible for providing the necessary GST exemption form within the specified period, failing which the purchaser would be liable for the payment of full GST plus applicable interest and penalties
- All Prices are in Indian Rupees (₹).
- Alteration made after receipt of confirmation of order are subject to price & delivery revisions and any other expenses or levies
- The dispute, if any, will be resolved mutually by discussion. However, if no settlement is forthcoming then, the Courts at New Delhi shall only have territorial jurisdiction to hear and decide the dispute.

Warranty

All products, unless specifically mentioned otherwise, shall have warranty, against manufacturing defects for a period of 18* months from the date of invoicing & 24 months from date of manufacturing whichever is later subject to the provision of proper usage and does not cover defects arising out of fire, accident, inefficient maintenance, faulty operation and willful or accidental damage. The manufacturer shall not be liable for any consequential loss, injury or damages attributable to defect or failure of its products.

* Proof of purchase to be retained to avail warranty.

a strong commitment
to serve better
always ...



Switchgear | Controlgear | Enclosures | Motor Starters & Submersible Pump Starters |
Brakes and Crane Controls | MCC | PCC | Customised Solutions | Automation |
Wires & Cables | Motors | Reactive Power Management



BCH
ELECTRIC
LIMITED

- Power Control Products
- Starters & Submersible Pump Starters
- Industrial Enclosures
- Industrial Products
- Wires & Cables
- Motor Control Products
- Power Bus Duct
- Customised Solution
- Automation



BCH ELECTRIC LIMITED



www.bchindia.com

BCH



1800-103-9262

customercare@bchindia.com

Visit us at : www.bchindia.com

Corporate Office : 1105, New Delhi House, 27, Barakhamba Road, New Delhi-110 001 Tel. : 91-11- 43673100
CIN : U31103WB1965PLC026427, **Customercare No.** 1800-103-9262, **E-mail :** marketing@bchindia.com
Registered Office : Block 1E, 216, Acharya Jagadish Chandra Bose Road, Kolkata - 700 017
Works 1 : 20/4, Mathura Road, Faridabad -121 006 (Haryana) Tel. : 0129-4063000/4293000 Fax : 0129-2304016
Works 2 : 64-68, Sector-7, IIE, Pant Nagar, Rudrapur, Udham Singh Nagar - 263 153 (Uttarakhand) Tel. : 05944-250214/16 Fax : 05944-250215

Sales Offices :

- | | | | | | |
|---|--|--|--|--|---|
| <p>Ahmedabad
103, Aaron,
Nr. SBI Laghuudyug branch,
Behind Sakar-1
Gandhigram Railway station,
Ellis bridge, Ahmedabad - 380006
Tel. : 079-26589719
E-mail: ahmedabad@bchindia.com</p> | <p>Bangalore
2nd Floor, 130/5,
K.H. Road (Double road),
Bangalore - 560 027
Tel.: 080-41144879 / 22236759
E-mail : bangalore@bchindia.com</p> | <p>Bhubaneswar
Mallick Commercial
Complex Plot No.: A/69, unit - 3
Bhubaneswar - 751 001
Tel.: 0674-2380988
E-mail.: bhubaneswar@bchindia.com</p> | <p>Chandigarh (Panchkula)
SCO -129, IInd Floor,
MDC, Sector-5 Panchkula,
Haryana-134 109
Tel.: 0172-5078957 / 5049905
E-mail.: chandigarh@bchindia.com</p> | <p>Chennai
Flat No. 3A, 3rd Floor,
Sree Apartments,
No.508, TTK Road,
Alwarpet, Chennai 600 018
Tel.: 044-24337046, 24337047
E-mail: chennai@bchindia.com</p> | <p>Coimbatore
87, Dr. Nanjappa Road,
Coimbatore - 641 018
Tel.: 0422-2305311 / 2302599
E-mail : coimbatore@bchindia.com</p> |
| <p>Delhi 1
801, Akash Deep Building,
26A, Barakhamba Road,
New Delhi - 110 001
Tel. : 011-43518200
E-mail : delhi@bchindia.com</p> | <p>Delhi 2
710, Deepali Building, 92
Nehru Place, New Delhi - 110 019
Tel. : 011-45720334
E-mail : delhi2@bchindia.com</p> | <p>Dehradun
8, Co-operative Industrial Estate,
Patel Nagar, Dehradun-248001
E-mail : dehradun@bchindia.com</p> | <p>Faridabad
20/4, Mathura Road,
Faridabad - 121 006 (Haryana)
Telfax : 0129-4293009
E-mail : faridabad@bchindia.com</p> | <p>Hyderabad
1-8-303/48/13/102, Arya One,
2nd Floor, P. G. Road,
Secunderabad - 500 003
Tel. : 040-66206263/27890306
Fax : 040-66207273
E-mail : hyderabad@bchindia.com</p> | <p>Indore
330-331, Indraprastha Tower,
3rd Floor, 6, M.G. Road,
Indore - 452 001
Tel. : 0731-2510011 / 2510012
E-mail : indore@bchindia.com</p> |
| <p>Jaipur
25, Hathroi, Gopalbari,
Jaipur - 302 001
Tel. : 0141-2363521
E-mail : jaipur@bchindia.com</p> | <p>Jamshedpur
3rd Floor, Aastha Trade Centre,
'Q' Road, Bistupur,
Jamshedpur - 831 001
Tel. : 0657-2321097/2321481
E-mail : jamshedpur@bchindia.com</p> | <p>Kolkata
Block 1E, 216,
Acharya Jagadish Chandra Bose Road,
Kolkata - 700 017
Tel. : 033-22871728 / 46021884
E-mail : kolkata@bchindia.com</p> | <p>Lucknow
Madan Plaza, 3rd Floor,
14, Station Road,
Lucknow - 226 001
Tel. : 0522-4025597/4025997
Fax : 0522-4025697
E-mail : lucknow@bchindia.com</p> | <p>Ludhiana
S.C.O.- 18, 2nd Floor,
Feroze Gandhi Market,
Ludhiana - 140 001
Tel. : 0161-5021807/5022808
E-mail : ludhiana@bchindia.com</p> | <p>Mumbai
A-151, Mittal Tower,
Nariman Point,
Mumbai - 400 021
Tel. : 022-22822947/22850162
Fax : 022-22822858
E-mail : mumbai@bchindia.com</p> |
| <p>Pune
8, Sarosh Bhavan,
16-B/1, Dr. Ambedkar Road,
Pune - 411 001
Tel. : 020-41210002
E-mail : pune@bchindia.com</p> | <p>Raipur
2nd Floor, Building No. B-234,
Indira Gandhi Wyavasayik Parisar,
Pandri, Raipur - 492 004
Tel. : 0771-4020213 / 4045053
E-mail : raipur@bchindia.com</p> | <p>Trichy
2B, Kannagi Street,
Ayyappa Nagar, K.K.Nagar
Trichy - 620 021, Tamilnadu
Tel. : 0431-4040497
E-mail.: trichy@bchindia.com</p> | <p>Vadodara
301, Third Floor, "Florence Classic",
10, Ashapuri Co-Op. Hsg. Soc. Ltd., Opp. VUDA Housing,
Near Cow Circle, Akota, Vadodara - 390 020
Tel. : 0265-2345068/2345069
Telefax : 0265-2345068,
E-mail : vadodara@bchindia.com</p> | | |

Other Branch Locations

Cochin : cochin@bchindia.com, **Guwahati :** guwahati@bchindia.com, **Nagpur :** nagpur@bchindia.com, **Vishakapatnam :** vizag@bchindia.com, **Surat :** surat@bchindia.com

Resident Engineer Locations

Agra	Jodhpur	Nashik	Siliguri
Anantapur	Kanpur	Patna	Surat
Bhopal	Katni	Puducherry	Tirunelveli
Calicut	Karimnagar	Rajkot	Udaipur
Gurgaon	Kota	Rourkela	Vapi
Jalandhar	Midnapur	Rudrapur	Vijayawada
Jalgaon	Muzaffarnagar	Salem	

Since product improvement is a continuous process, the data furnished in this brochure may undergo revision without prior notice.